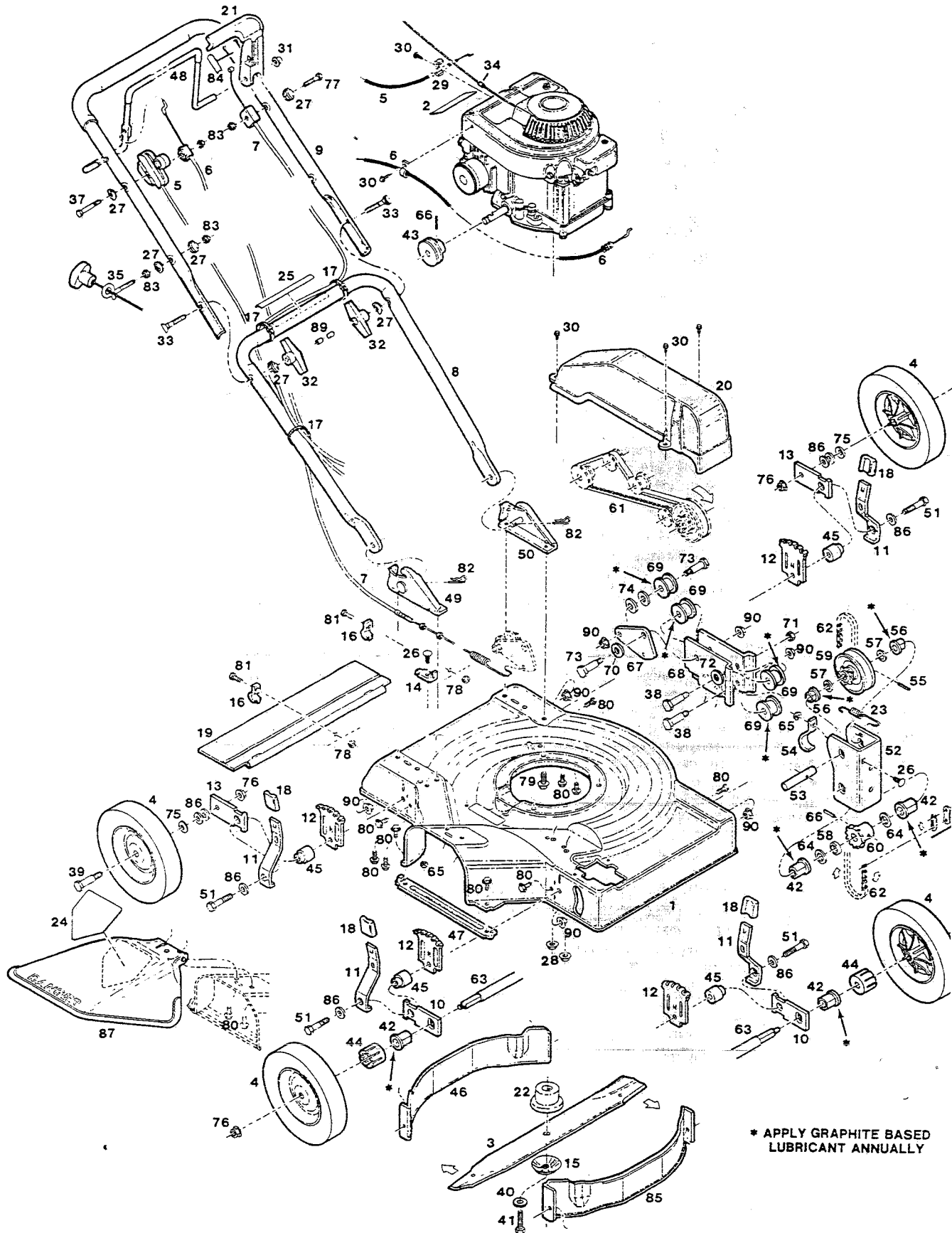


MODEL: A2171-N



S/N 239002  
P/L 082824  
O/M 082806

## PARTS LIST

| Index No. | Part No. | Description                        | Index No. | Part No. | Description                        |
|-----------|----------|------------------------------------|-----------|----------|------------------------------------|
| 1         | 022103   | Deck - 21" Front Drive - Red       | 47        | 093377   | Guard - Blade                      |
| 2         | 009415   | Decal - Blade Warning              | 48        | 178640   | Bail - Engine/Blade Control        |
| 3         | 031377   | Blade 21"                          | 49        | 093153   | Handle Bracket R.H.                |
| 4         | 042614   | Wheel 8"                           | 50        | 093161   | Handle Bracket L.H.                |
| 5         | 053079   | Control - Throttle                 | 51        | 312355   | Screw - Hex Head 3/8-16 x 2        |
| 6         | 052241   | Control - Cable - Engine/Blade     | 52        | 017426   | Bracket - Axle                     |
| 7         | 052589   | Control - Drive                    | 53        | 105908   | Jack Shaft                         |
| 8         | 072991   | Handle - Lower                     | 54        | 133132   | Chain Tensioner                    |
| 9         | 073031   | Handle - Upper                     | 55        | 151142   | Drive Pin 1/8 x 1                  |
| 10        | 093385   | Wheel Arm - Front                  | 56        | 152488   | Bushing - Rear Axle 1/2            |
| 11        | 085480   | Lever - Setting                    | 57        | 152553   | Washer - Thrust 1/2                |
| 12        | 093401   | Back Plate - Height Adjuster       | 58        | 152702   | Spacer - Sprocket                  |
| 13        | 093393   | Wheel Arm - Rear                   | 59        | 170662   | Sprocket/Pulley                    |
| 14        | 101634   | Cable Mounting Bracket             | 60        | 170761   | Sprocket - Axle                    |
| 15        | 164681   | Blade Washer                       | 61        | 171538   | V-Belt                             |
| 16        | 106914   | Clip - Trailing Shield             | 62        | 177576   | Chain - #43-24 Links/w Master      |
| 17        | 110379   | Cable Tie                          | 63        | 178483   | Drive Shaft                        |
| 18        | 110510   | Plastic Grip - Height Adjuster     | 64        | 311324   | Washer - Thrust 5/8                |
| 19        | 114421   | Trailing Shield                    | 65        | 715078   | Locknut - 1/4-20 Flange            |
| 20        | 115220   | Cover - Belt                       | 66        | 715193   | Roll Pin - 3/16 x 1                |
| 21        | 114553   | Lever - Drive Control              | 67        | 017400   | Bracket - Idler                    |
| 22        | 094933   | Blade Adapter                      | 68        | 088781   | Bracket - Deck                     |
| 23        | 138057   | Spring - Axle Bracket              | 69        | 113977   | Pulley - Idler                     |
| 24        | 144063   | Decal - C.P.S.C. Danger            | 70        | 156075   | Washer - Flat 1/2                  |
| 25        | 799599   | Decal - Starting Instructions      | 71        | 715524   | Nut - 3/8-16 Jam                   |
| 26        | 150011   | Bolt - Carriage - 1/4-20 x 5/8     | 72        | 155424   | Washer - Flat 1/2                  |
| 27        | 150201   | Washer - Curved 5/16               | 73        | 166622   | Bolt - Shoulder 2-3/8              |
| 28        | 157610   | Nut - 5/16-18 Flange Lock          | 74        | 617894   | Spacer                             |
| 29        | 150318   | Cable Clamp                        | 75        | 715607   | Washer - Belleville                |
| 30        | 166640   | Screw - Self Tap #10 x 5/8         | 76        | 451492   | Locknut - 3/8-16                   |
| 31        | 380626   | Pinut - 5/16                       | 77        | 450379   | Bolt - Hex 1/4-20 x 1-3/4          |
| 32        | 115540   | Wing Knob                          | 78        | 452318   | Nut - #10-24 Hex Nylon Insert      |
| 33        | 151936   | Bolt - Curved Head 5/16-18 x 2-1/4 | 79        | 164999   | Bolt - 3/8-16 x 7/8 Thread Forming |
| 34        | 152074   | Rope Stop                          | 80        | 164998   | Bolt - 1/4-20 x 1/2 Thread Forming |
| 35        | 152371   | Rope Guide                         | 81        | 458687   | Bolt - Hex #10-24 x 1/2            |
| 37        | 153874   | Bolt - 1/4-20 x 2-1/4 Hex          | 82        | 715011   | Hair Pin Cotter                    |
| 38        | 157420   | Bolt - Shoulder                    | 83        | 715037   | Locknut - 1/4-20 Keps              |
| 39        | 166618   | Bolt - Wheel                       | 84        | 794412   | Decal - Drive Control              |
| 40        | 156877   | Washer - Hardened                  | 85        | 091983   | Baffle - Front                     |
| 41        | 157255   | Bolt - Blade                       | 86        | 158469   | Washer 3/8 Flat                    |
| 42        | 170472   | Bushing - Drive Shaft              | 87        | 391771   | Chute Deflector Assembly           |
| 43        | 171918   | Drive Pulley                       | 88        | 126607   | Master Link - Chain                |
| 44        | 176370   | Adapter Drive                      | 89        | 110064   | Bolt Cap - Plastic                 |
| 45        | 177592   | Bushing - Stepped                  | 90        | 156406   | Nut - 3/8-16 Flange Lock           |
| 46        | 092122   | Baffle - Rear                      |           |          |                                    |

**WARNING**

DO NOT OPERATE YOUR MOWER UNLESS ALL PARTS ARE ATTACHED AND IN GOOD WORKING ORDER.  
KEEP YOUR MOWER IN GOOD REPAIR AT ALL TIMES.

**NOTE:** PARTS ARE RIGHT OR LEFT HAND AS VIEWED FROM THE OPERATOR POSITION. SPECIFICATIONS SUBJECT TO CHANGE WITHOUT PRIOR NOTICE.

S/N 239002  
P/L 082824  
O/M 082806