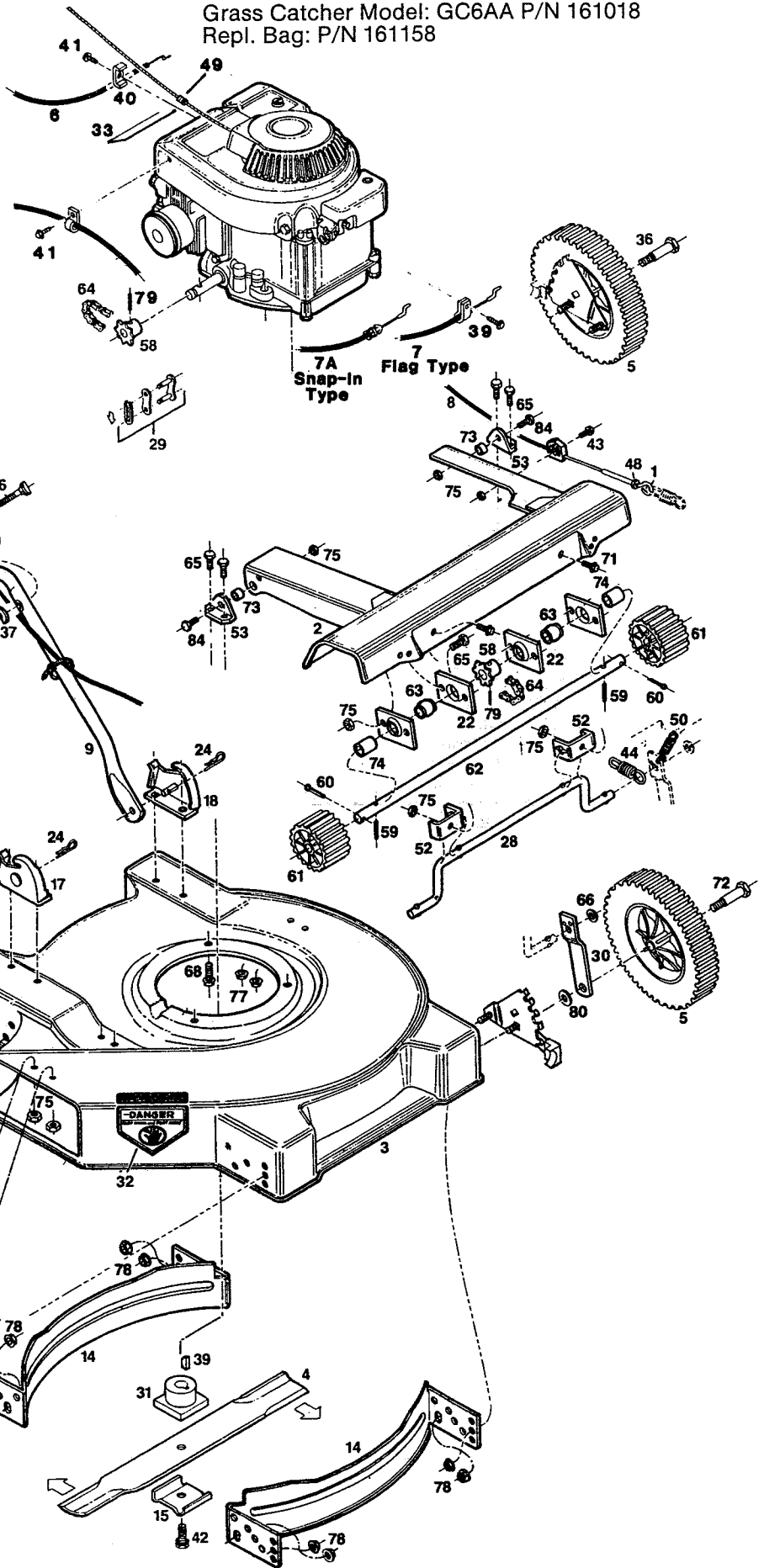
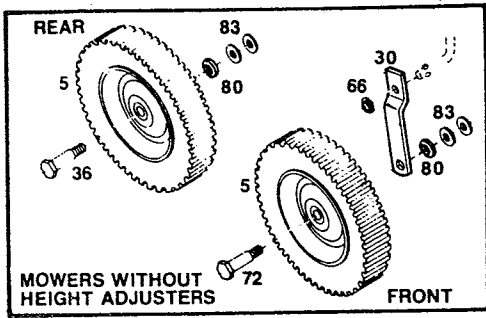


22" SIDE DISCHARGE SELF-PROPELLED ROTARY MOWER

MODEL: A2261-J

Grass Catcher Model: GC6AA P/N 161018

Repl. Bag: P/N 161158



22" SIDE DISCHARGE SELF-PROPELLED ROTARY MOWER

MODEL: A2261-J

Grass Catcher Model: GC6AA P/N 161018

Repl. Bag: P/N 161158

Index No.	Part No.	Description	Index No.	Part No.	Description
1	153890	Eyebolt	40	150318	Cable Clamp
2	012831	Cover Assembly w/o Ht. Adj.	41	150623	Screw Hex Head Sht. Metal #10 x 5/8
	012823	Cover Assembly w/Ht. Adj.	42	162024	Bolt-Blade 3/8-24 x 1-1/4 Gr. 8
3	018069	Deck - 22"	43	151522	Bolt #10-24 x 3/8
4	030049	Blade 22" Flat	44	775858	Spring - Drive Control
5		Wheel Assemblies*	45	151613	Bolt - Hex Head Sems
	041095	Wheel - 8" Steel White Cog	46	151928	Bolt - Curved Head Square 5/16-18 x 1 3/4
	040741	Wheel - 8" Plastic White Cog	47	151944	Bolt - Oval Head Machine, #10-24 x 2
	040766	Wheel - 7" Plastic White Cog	48	151985	Nut - Hex #10-24
6	051219	Control - Throttle w/Cable	49	152074	Rope Stop
7	051490	Cable - Engine/Blade Control (Flag type)	50	775817	Spring - Pinion Assy.
7A	052225	Cable - Engine/Blade Control (Snap-in type)	51	152181	Screw - Bail Retaining
8	051607	Control - Ground Drive	52	771691	Bracket
9	071563	Handle - Lower	53	769067	Bracket - Pinion Tube
10	071092	Handle - Upper	54	152371	Rope Guide
	071100	Handle - Upper Cushioned*	55	152405	Bolt - Carriage 3/8-16 x 3/4*
11	091249	Back Plate - Ht. Adjuster*	56	156182	Washer - Plastic*
12	085019	Wheel Arm Assy.	57	156125	Shoulder Bolt - Ht. Adjuster*
13	715524	Locknut 3/8-16 Jam	58	170142	Sprocket - 8 Tooth
14	101519	Baffle - Rear & Front*	59	314096	Roll Pin 3/16 x 1-1/4
15	106336	Washer - Blade Adapter	60	317016	Cotter Pin 1/8 x 1
16	106914	Clip - Trailing Shield	61	416693	Pinion
17	107086	Handle Bracket - R.H.	62	417741	Shaft w/o Ht. Adj.
18	107094	Handle Bracket - L.H.		417766	Shaft w/Ht. Adj.
19	097659	Bail - Engine/Blade Control	63	423319	Bearing
20	391706	Chute Deflector Assembly	64	425306	Chain
21	110379	Cable Tie	65	449587	Bolt - Hex Head 1/4-20 x 5/8
22	463778	Bearing Plate	66	452250	Push Nut
23	152421	Spring Washer	67	452318	Nut - Nylon Insert #10-24
24	715011	Hitch Pin	68	457168	Bolt - Thread Form 3/8-16 x 7/8
25	112540	Plastic Tip - Ht. Adjuster*	69	457499	Bolt - Thread Form 1/4-20 x 1/2
26	111526	Actuator-Engine Control	70	458687	Bolt - #10-24 x 1/2
27	111609	Trailing Shield - 22" w/o Ht. Adj.	71	459206	Bolt - Flange Head, 1/4-20 x 5/8
	111617	Trailing Shield - 22" w/Ht. Adj.	72	156166	Bolt - Shoulder Front
28	783605	Rod - Engagement w/o Ht. Adj.	73	468355	Spacer Pivot
	783613	Rod - Engagement w/Ht. Adj.	74	468405	Spacer - w/Ht. Adj.
29	120295	Master Link #65		468397	Spacer - w/o Ht. Adj.
30	778696	Actuator Arm - 8" Wheel	75	715508	Nut - Top Lock 1/4-20
	108878	Actuator Arm - 7" Wheel	76	715037	Nut - Kep 1/4-20
31	133231	Blade Adapter	77	451419	Nut - Top Lock Flange 1/4-20
32	144063	Decal - Danger	78	451492	Nut 3/8-16 TopLock Flange
33	009415	Decal - Blade Warning	79	715193	Roll Pin 3/16 x 1
34	144899	Decal - Starting Instructions	80	715607	Washer - Belleville
35	150011	Bolt - Carriage 1/4-20 x 5/8	81	153874	Bolt - 1/4-20 x 2 1/4 Hex Head
36	150730	Shoulder Bolt - Rear	82	156877	Washer - 3/8 Hardened
37	150201	Washer - Curved 5/16	83	715417	Washer - 3/8 SAE
38	150235	Wingnut 5/16-18	84	159004	Bolt - 1/4 - 20 x 3/4
39	150276	Woodruff Key #6	85	715201	Bolt - 3/8 - 16 x 3/4 w/o Ht. Adj.

- This parts list covers several different mower models; not all of the parts listed may be used on the particular model you are working with.
- When servicing use only **Genuine Factory Replacement Parts (OEM)** that are specifically designed for the particular model that you are working with.
- Parts are right or left hand as viewed from the operator's position.
- Model specifications are subject to change without prior notice.
- **Do not operate** the mower unless all parts are attached and in good working order.
- Lawn mower deck and/or other painted parts differing in color may be substituted without notice.