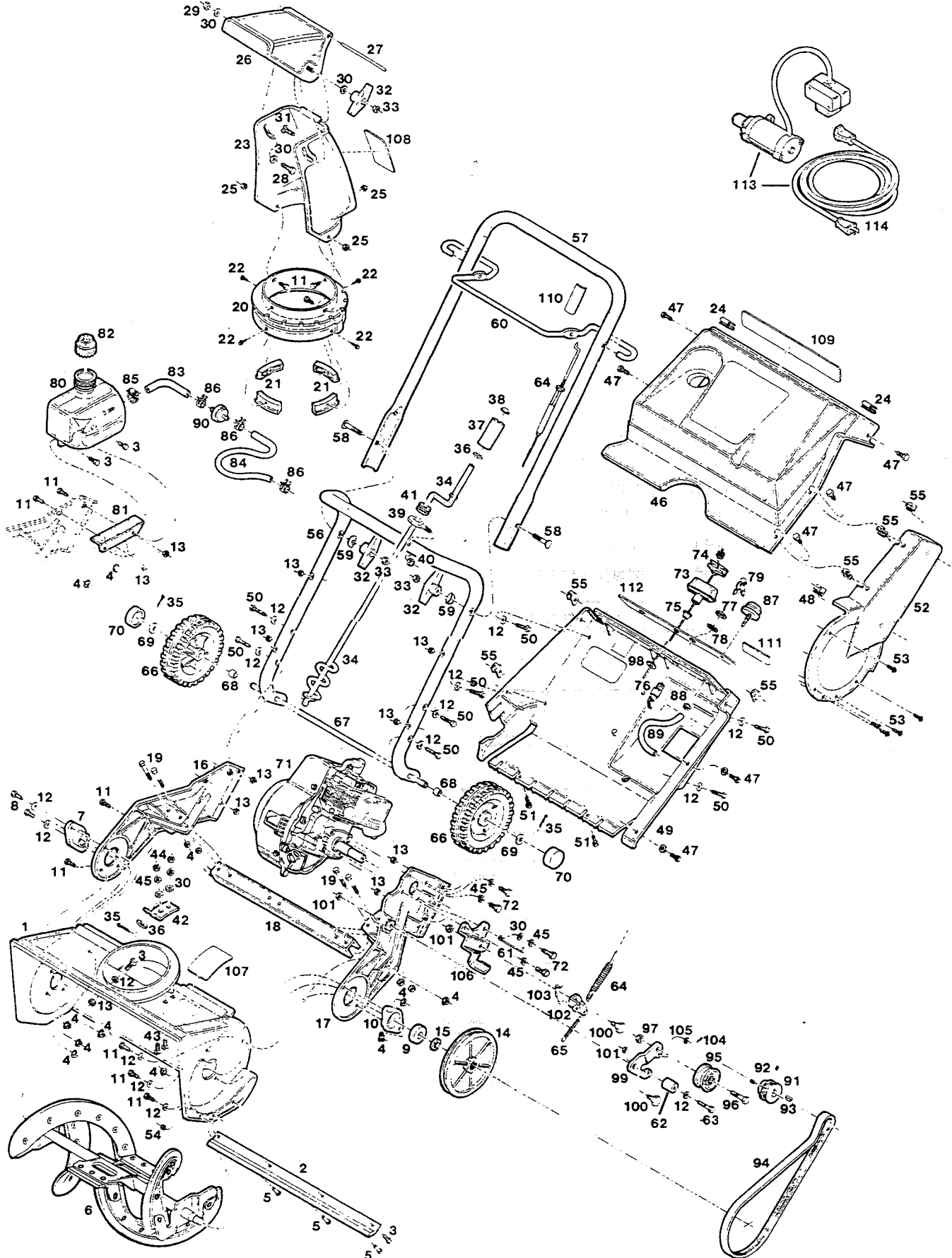


**MODEL: A320M - A320ESM
3 HP 20" 2-CYCLE SINGLE-STAGE SNOWTHROWER**



S/N 603211 - 603231
603210 - 603232
E/M 187146
O/M 690152

MODEL: A320M - A320ESM
3 HP 20" 2-CYCLE SINGLE-STAGE SNOWTHROWER

Index No.	Part No.	Description	Index No.	Part No.	Description
1	667826	Housing-auger w/chute ring	58	449942	Bolt-curved hd 5/16-18 x 2"
2	651026	Blade—scraper	59	150201	Washer-curved
3	457044	Bolt-hex 1/4-20 x 1/2	60	073015	Bail-auger drive control
4	451419	Nut-hex flange 1/4-20 top lock	61	087890	Guide-belt
5	382028	Rivet-1/4 x 5/8	62	087924	Roller-belt brake
6	613489	Auger Assembly	63	450072	Bolt-hex 1/4-20 x 1-1/2
7	613232	Bearing-auger RH	64	667683	Cable drive control
8	155341	Bolt-hex 1/4-20 x 7/8	65	166595	Spring-tension brake
9	613257	Bearing-auger LH	66	041129	Wheel w/tire
10	613240	Retainer-bearing	67	667493	Axle-wheel
11	449587	Bolt-hex 1/4-20 x 5/8	68	152454	Spacer-wheel
12	615690	Washer-flat 1/4	69	462309	Washer-flat
13	715508	Nut-hex 1/4-20 toplock	70	672345	Cap-hub
14	087981	Pulley-auger	71	*	Engine-two cycle, 3HP
15	381947	Spacer-pulley	72	450346	Bolt-hex 5/16-18 x 3/4
16	689981	Frame-side RH	73	645796	Grip-starter rope
17	087957	Frame-side LH	74	667477	Insert-grip
18	613406	Channel-support	75	164079	Eyelet-rope guide
19	150433	Bolt-hex 1/4-20 x 2	76	135988	Switch-ignition ON/OFF
20	667830	Ring-chute rotator	77	310102	Nut-switch 5/8-32
21	667352	Guide-ring	78	311241	Washer-lock, int tooth
22	154468	Screw-plastite #10-14 x 1/2	79	304352	Key-ignition (2 on a ring)
23	667831	Chute-discharge	80	673467	Tank-fuel
24	382374	Clip-retainer	81	613414	Bracket-fuel tank
25	452615	Nut-hex 1/4-20 nylok	82	673202	Cap-fuel tank
26	667832	Deflector-discharge chute	83	689604	Hose-fuel line 3 1/4"
27	698936	Pin-hinge	84	689612	Hose-fuel line 8"
28	152108	Bolt-hex 5/16-18 x 1	85	162404	Clamp-hose (worm type)
29	310151	Nut-hex 5/16-18 nylok	86	303859	Clamp-hose (spring type)
30	715185	Washer-flat 5/16	87	645762	Primer-fuel system
31	313536	Bolt-carriage 5/16-18 x 1 1/4	88	715037	Nut-primer 1/4-20 keps
32	113589	Knob-wing	89	672584	Hose-primer
33	310045	Nut-hex 5/16-18	90	432625	Filter-fuel
34	667535	Crank-chute control	91	708925	Pulley-drive, on engine
35	715029	Pin-cotter 3/32 x 3/4	92	157305	Screw-set 1/4 nylok
36	715417	Washer-flat 3/8	93	150276	Key-Woodruff #6
37	698852	Grip-chute crank	94	645986	Belt-auger drive
38	163774	Nut-push on	95	645994	Pulley-idler
39	381921	Bolt-eye	96	381970	Bolt-hex 3/8-16 x 1-1/2
40	451195	Nut-hex 3/8-16 nylok	97	715086	Nut-hex 3/8-16 toplock
41	672220	Grommet-eye bolt	98	164087	Washer-backup
42	698980	Bracket-chute crank	99	698837	Arm-idler pulley
43	158907	Bolt-carriage 5/16-18 x 5/8	100	381988	Bolt-shoulder 5/16-18 x 1/2
44	159145	Nut-hex 5/16-18 jam	101	715490	Nut-hex 5/16-18 toplock
45	311118	Washer-split lock 5/16	102	698829	Arm-idler pivot
46	651091	Cover-top	103	087932	Rod-linkage
47	382432	Screw-hex tap 1/4-14 x 3/4	104	155507	Pin-cotter 1/16 x 1/2
48	381962	Nut-speed U-type 1/4	105	153734	Washer-flat
49	698969	Cover-bottom, Includes items 75, 98, 111 & 112	106	698811	Bracket-idler mounting
50	450072	Bolt-hex 1/4-20 x 1-1/2	107	795351	Decal-DANGER, auger
51	158840	Screw-plastite 1/4-10 x 1/2	108	677690	Decal-DANGER, discharge chute
52	698979	Cover-belt	109	689521	Decal-STARTING INSTRUCTIONS
53	155366	Screw-slotted #10-24 x 5/8	110	760512	Decal-auger control
54	452318	Nut-hex #10-24 nylok	111	689422	Decal-choke
55	381954	Nut-speed j-type 1/4-10	112	689430	Decal-control panel
56	613380	Handle-lower	113	630194	Kit-electric starter
57	613455	Handle-upper	114	630483	Cord-extension, 10 foot electric start

*Contact engine manufacturer's authorized service dealer for engine parts and warranty.

S/N 603211 - 603231
603210 - 603232
E/M 187146
O/M 690152