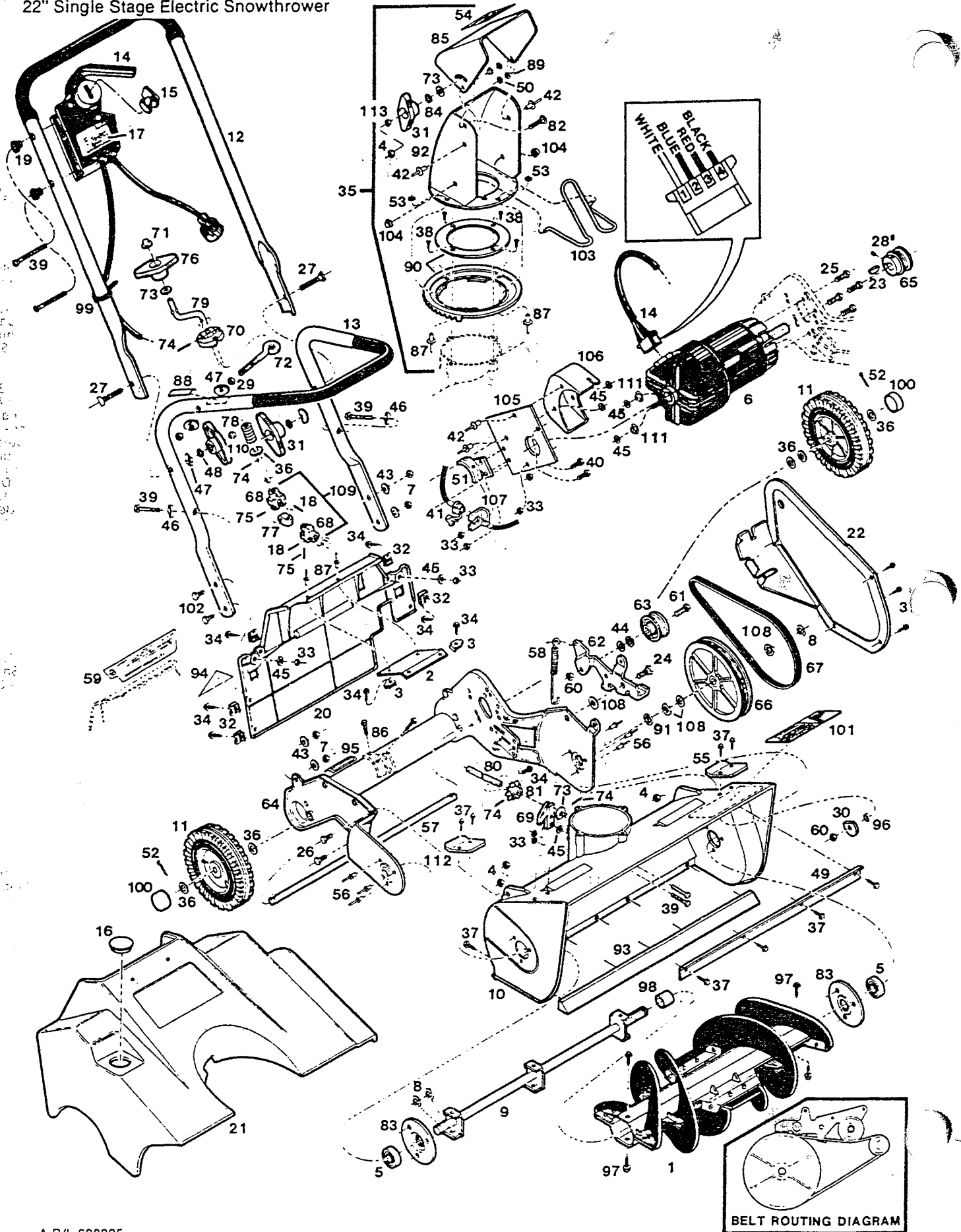


Model: A3222ELL
22" Single Stage Electric Snowthrower



Model: A3222ELL
22" Single Stage Electric Snowthrower

Ref. No.	Part No.	Description	Ref. No.	Part No.	Description
1	712620	Auger Assembly NOTE: Individual parts for this assembly are available to authorized service centers	57	662221	Axle
2	772749	Support Bracket - Panel	58	665125	Spring - Idler Arm
3	452383	Nut - Tinnerman	59	677070	Decal - Control Panel
4	715490	Nut - 5/16-18 Top Lock	60	715524	Nut - 3/8-16 Center Lock Jam
5	423756	Bearing	61	159020	Bolt - 3/8-16 x 1-1/2 Hex
6	610097	Motor Electric	62	663872	Idler Arm
7	715508	Nut - 1/4-20 Top Lock	63	672923	Idler Pulley
8	789883	Retaining Ring	64	697334	Frame Assembly
9	712588	Shaft Assembly	65	665182	Pulley - Motor
10	672006	Housing Auger	66	672469	Pulley - Auger
11	041129	Wheel - 6" Plastic	67	707117	Belt
12	657528	Handle - Upper	68	763383	Clevis - U-Joint
13	657510	Handle Lower	69	772434	Bracket - Chute Adjustment
14	630046	Switch - Motor Control	70	772566	Detent - Chute Adjustment
15	672238	Key - Switch	71	152579	Push Nut - 5/16
16	672402	Hole Plug	72	459339	Eyebolt
17	677377	Decal - Starting Instructions	73	715185	Washer - 5/16 Flat
18	489955	Pin - Roll 5/32 x 5/8	74	489088	Pin - Roll 5/32 x 3/4
19	111732	Insulator Handle	75	489260	Pin - 5/32 x 7/8
20	697607	Panel - Back	76	672915	Knob - Wing
21	697151	Cover - Motor	77	751172	Connector - U-Joint
22	697482	Cover Assembly - Belt	78	775676	Spring - Detent
23	150276	Key - Woodruff #6	79	664854	Crank - Chute Discharge Control Guide
24	155226	Bolt - Shoulder 3/8-16 x 1	80	418053	Shaft - Sprocket
25	153593	Bolt - 5/16-18 x 1/2	81	707844	Sprocket - Drive
26	450429	Bolt - 5/16-18 x 5/8	82	312256	Bolt - 5/16-18 x 1-13/16 Carriage
27	151936	Bolt - 5/16-18 x 2-1/4 Curved	83	790725	Retainer - Bearing
28	159608	Set Screw 5/16	84	152975	Washer - 5/16 Ext. Tooth
29	715490	Nut Estock 5/16-18	85	672873	Deflector - Chute
30	662197	Washer - Back Up	86	155218	Screw - #10-24 x 1/2 Hex
31	113589	Knob - Wing 5/16	87	764217	Pop Rivet - 1/8
32	452375	Nut - Tinnerman	88	679324	Decal - Chute Control
33	452318	Nut - 10-24 Hex Nylock	89	764241	Eyelet
34	150623	No. 10 x 5/8 Special Screw	90	673541	Chute Gear/Ring (black)
35	712984	Chute Assembly	91	154211	Washer - Spring
36	462309	Washer - 3/8	92	672881	Chute
37	459347	Screw - 10-9 x 5/8 Hex Washer Head	93	672550	Bar - Scraper
38	459354	Screw - 10-9 x 5/8 Flat Head	94	677948	Decal - OPEI B71.3-1984
39	459446	Screw - 10-24 x 1-1/2 Hex Washer Head	95	677880	Decal UL Snow Thrower
40	150326	Screw - 10-24 x 1/2 Hex	96	468652	Spacer 5/8-.385 x .187
41	447771	Strain Relief	97	458539	Screw - No. 10-24 x 3/8 Thread Forming
42	154534	Pop-Rivet 3/16 Aluminum	98	468660	Spacer - 1/2 x .065 x 1"
43	460584	Washer - 1/4	99	110379	Cable Tie
44	150771	Washer - 7/8 x 13/32	100	672345	Hub Cap
45	715136	Washer - No. 10 Flat SAE	101	677682	Decal - Auger Housing
46	461004	Washer - 7/8 Curved	102	715052	Bolt - 1/4-20 x 1/2 Hex Head
47	150201	Washer - 5/16 Curved	103	663674	Guard - Chute
48	153510	Washer - 5/16 Int. Tooth	104	715102	Ring - 3/16 Push on
49	463984	Baffle - Auger Housing	105	029942	Bracket - Motor Mounting Plate
50	153734	Washer - Back Up	106	111807	Cover - Motor Plug
51	697839	Bracket - Motor	107	664144	Bracket
52	715029	Cotter Pin	108	152553	Washer - Hardened
53	462051	Washer - .129 ID	109	712018	U-Joint Assembly
54	677690	Decal - Danger Discharge Chute	110	310151	Nut - 5/16 Lock
55	447995	Tab - Engine Cover LH	111	150946	Nut - #10 Flange Lock
56	764225	Pop Rivet 3/16 x 3/8	112	645903	Tab - Engine Cover R H
			113	310045	Nut - 5/16-18

WHEN ORDERING PARTS, USE PART NUMBER, NOT REFERENCE NUMBER

INSTRUCTIONS FOR ORDERING PARTS...SNOW THROWER PARTS can be ordered from the dealer from whom your snow thrower was purchased or from an authorized parts distributor or service station. Be sure to specify the part number, not reference number, and the description of each required item - also, the model and serial number of your snow thrower. If, for any reason you are unable to obtain the desired part from the dealer or service station, direct your order to our factory. Prices of parts may be obtained from dealer or factory. Send check or money order with order for parts, or request C.O.D. shipment. To the price of the part add \$4.00 for postage and/or handling. All prices are quoted f.o.b. at Harvard, Illinois. Items that are too large or bulky to be mailed will be shipped freight or express with transportation charges collect. Refer to parts list (exploded view of snow thrower)