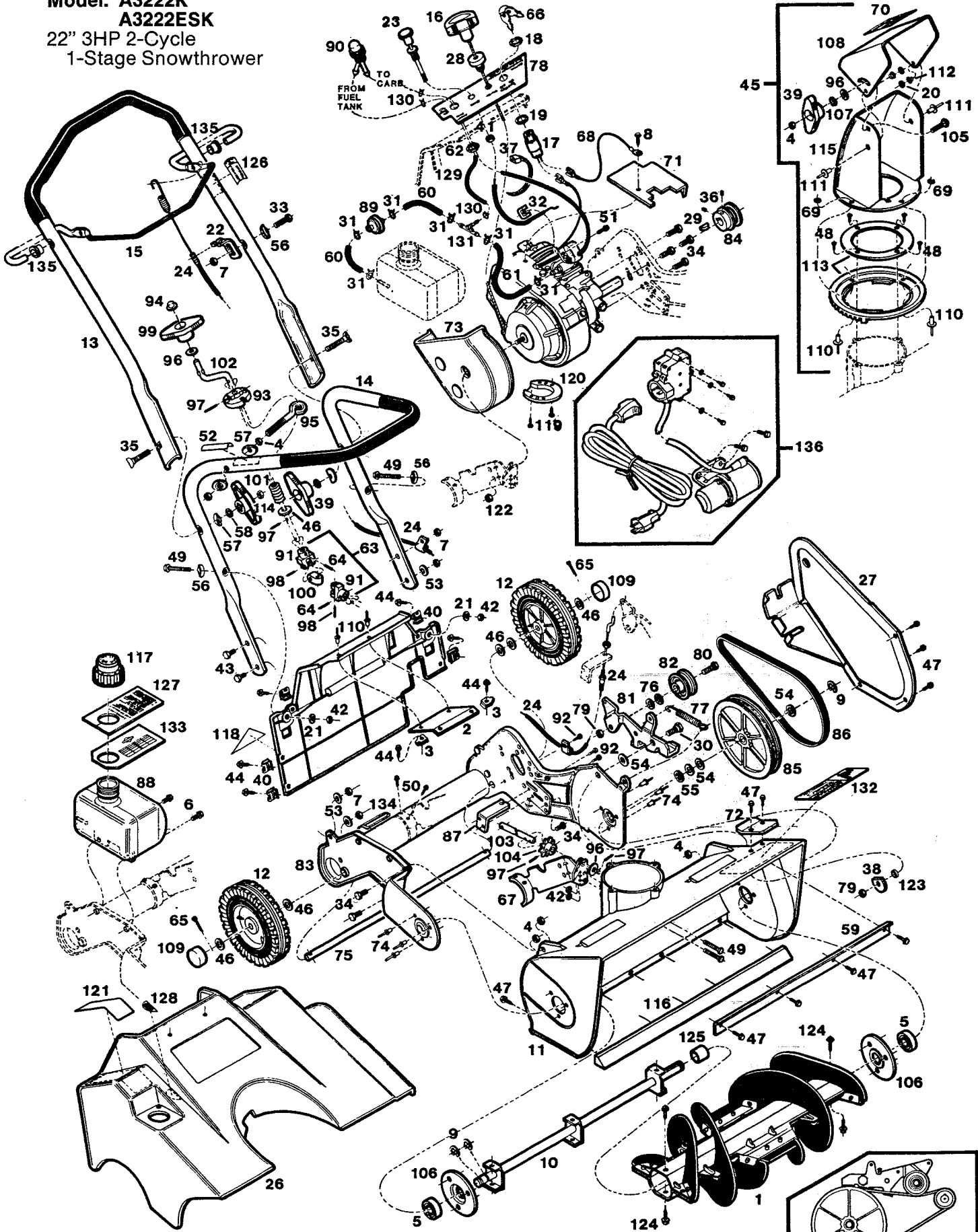
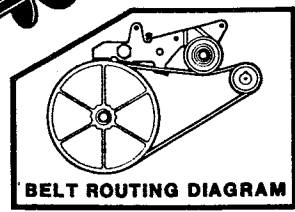


Model: A322K
A322ESK
 22" 3HP 2-Cycle
 1-Stage Snowthrower



P/L 689265
 S/N 601450
 S/N 601476
 S/N 602896



**Model: A322K
A322ESK
22" 3HP 2-Cycle 1-Stage Snowthrower**

| Ref. No. | Part No. | Description | Ref. No. | Part No. | Description |
|----------|----------|--|----------|----------|--------------------------------------|
| 1 | 712620 | Auger Assembly NOTE: Individual parts for this assembly are available to authorized service centers. | 68 | 630251 | Wire - Magneto Ground |
| 2 | 772749 | Bracket - Control Panel Support | 69 | 462051 | Washer - .129 ID |
| 3 | 452383 | Nut - Tinnerman | 70 | 677690 | Decal - Deflector |
| 4 | 715490 | Nut - 5/16-18 Top Lock | 71 | 762302 | Shield - Heat Engine |
| 5 | 423756 | Bearing - Auger | 72 | 645903 | Tab |
| 6 | 153601 | Bolt - 1/4-20 x 3/4 Thread Forming | 73 | 762443 | Shield - Blower Engine Plastic |
| 7 | 715508 | Nut - 1/4-20 Top Lock | 74 | 764225 | Pop Rivet 3/16 x 3/8 |
| 8 | 159574 | Screw - 8-32 x 3/8 Hex Washer Hd. | 75 | 662221 | Axle |
| 9 | 789883 | Retaining Ring | 76 | 150771 | Washer - 7/8 x 13/32 |
| 10 | 712588 | Shaft Assembly - Auger | 77 | 663807 | Spring - Idler Arm |
| 11 | 672006 | Housing - Collector/Auger | 78 | 679621 | Decal - Control Panel |
| 12 | 041129 | Wheel - 6" Plastic | 79 | 715524 | Nut - 3/8-16 Center Lock Jam |
| 13 | 657502 | Handle - Upper | 80 | 159020 | Bolt - 3/8-16 x 1-1/2 Hex |
| 14 | 657510 | Handle - Lower | 81 | 663872 | Idler Arm |
| 15 | 107912 | Bail - Control | 82 | 672923 | Idler Pulley |
| 16 | 732321 | Grip - Engine Start | 83 | 697334 | Frame Assembly |
| 17 | 630186 | Switch - Ignition | 84 | 419820 | Pulley - Engine |
| 18 | 310102 | Nut - 5/8-32 Ign | 85 | 672469 | Pulley - Auger |
| 19 | 311241 | Washer - 5/8 Lock Ign | 86 | 708768 | Belt |
| 20 | 153734 | Washer - Back-Up | 87 | 663799 | Cable Bracket |
| 21 | 715136 | Washer - #10 Flat | 88 | 673467 | Gas Tank |
| 22 | 772616 | Bracket - Cable Mounting | 89 | 432625 | Filter - Fuel |
| 23 | 780437 | Control - Choke | 90 | 645705 | Primer - Fuel |
| 24 | 645721 | Cable - Clutch Control | 91 | 763383 | Clevis - U-Joint |
| 25 | 697607 | Panel - Back | 92 | 457192 | Screw - 10-32 x 1/2 Thread Forming |
| 26 | 697151 | Cover - Engine | 93 | 772566 | Detent - Chute Adjustment |
| 27 | 697482 | Cover Assembly - Belt | 94 | 152579 | Nut - 5/16 Push |
| 28 | 423749 | Bushing - Starter Rope | 95 | 459339 | Eyebolt |
| 29 | 150276 | Key - Woodruff | 96 | 715185 | Washer - 5/16 Flat |
| 30 | 156935 | Bolt - Shoulder 3/8-16 x 1 | 97 | 489088 | Pin - Roll 5/32 x 3/4 |
| 31 | 303859 | Clamp - Hose 1/2 | 98 | 489260 | Pin - Roll 5/32 x 7/8 |
| 32 | 447888 | Clamp - Choke | 99 | 672915 | Knob |
| 33 | 450353 | Bolt - 1/4-20 x 1-1/4 Hex | 100 | 751172 | Connector - U-Joint |
| 34 | 450429 | Bolt - 5/16-18 x 5/8 | 101 | 775676 | Spring - Detent |
| 35 | 151936 | Bolt - 5/16-18 x 2-1/4 Curved | 102 | 664854 | Crank - Chute Deflector |
| 36 | 159608 | Set Screw 5/16 | 103 | 418053 | Shaft - Sprocket |
| 37 | 110379 | Tie - Cable | 104 | 707844 | Sprocket - Drive |
| 38 | 662197 | Washer - Back Up | 105 | 312256 | Bolt - 5/16-18 x 1-3/4 Carriage |
| 39 | 672907 | Knob 5/16 | 106 | 790725 | Retainer - Bearing |
| 40 | 452375 | Nut - Tinnerman | 107 | 156430 | Washer - 5/16 Ext. Tooth Lock |
| 41 | 816082 | Nut - 3/8-24 Palnut | 108 | 672873 | Deflector - Chute |
| 42 | 452318 | Nut - 10-24 Hex Nylok | 109 | 672345 | Cap - Hub |
| 43 | 715052 | Bolt - 1/4-20 x 1/2 Hex | 110 | 764217 | Pop Rivet - 1/8 |
| 44 | 150623 | No. 10 x 5/8 Special Screw | 111 | 154534 | Pop Rivet - 3/16 |
| 45 | 712976 | Chute Assembly | 112 | 764241 | Eyelet |
| 46 | 462309 | Washer - 3/8 | 113 | 673541 | Chute Gear/Ring (black) |
| 47 | 459347 | Screw - 10-9 x 5/8 Hex Washer Head | 114 | 162404 | Clamp - Adj. 1/4-5/8 |
| 48 | 459354 | Screw - 10-9 x 5/8 Flat Head | 115 | 672865 | Chute |
| 49 | 459446 | Screw - 10-24 x 1-1/2 Hex | 116 | 672550 | Bar - Scraper |
| 50 | 155218 | Screw - 10-24 x 1/2 Hex | 117 | 673202 | Cap - Fuel |
| 51 | 459487 | Screw - Engine Choke | 118 | 677948 | Decal - OPEI B71.3-1984 |
| 52 | 679324 | Decal - Chute Control | 119 | 459784 | Screw - 8-32 x 1/2 |
| 53 | 460584 | Washer - 1/4 | 120 | 133488 | Deflector - Muffler |
| 54 | 152553 | Washer - Hardened 1/2 | 121 | 677906 | Decal - Starting Instructions |
| 55 | 154211 | Washer - Spring 1/2 | 122 | 715037 | Nut - 1/4-20 Keps |
| 56 | 461004 | Washer - 1/4 Curved | 123 | 468652 | Spacer - 5/8-.385 x .187 |
| 57 | 150201 | Washer - 5/16 Curved | 124 | 458539 | Screw - # 10-24 x 3/8 Thread Forming |
| 58 | 461665 | Washer - 5/16 Shakeproof | 125 | 468660 | Spacer - 1/2 x .065 x 1" |
| 59 | 463984 | Baffle - Auger Housing | 126 | 760512 | Decal - Auger Control |
| 60 | 672840 | Fuel Line - Short 2" | 127 | 677914 | Card-First Time Starting |
| 61 | 672832 | Fuel Line - Long 11.5" | 128 | 678003 | Decal - 2 Cycle Certified Oil |
| 62 | 645713 | Nut - Primer | 129 | 672329 | Hose - 10" Primer |
| 63 | 712018 | U-joint Assembly | 130 | 154161 | Clamp - Hose 1/8 |
| 64 | 489955 | Pin - Roll 5/21 x 5/8 | 131 | 672311 | 'Y' Nipple |
| 65 | 715029 | Cotter Pin | 132 | 677682 | Decal - Auger Housing |
| 66 | 304352 | Keys - Switch | 133 | 687319 | Tag - Break-in Oil |
| 67 | 697359 | Bracket - Engine Support | 134 | 714212 | Decal - Rating Plate |
| | | | 135 | 423327 | Bushing - Heyco |
| | | | 136 | 408922 | Starter - Electric ES116 Optional |
| | | | - | 393207 | 2 cycle engine oil |
| | | | - | 393165 | Fuel additive |

P/L 689265
S/N 601450
S/N 601476
S/N 602896