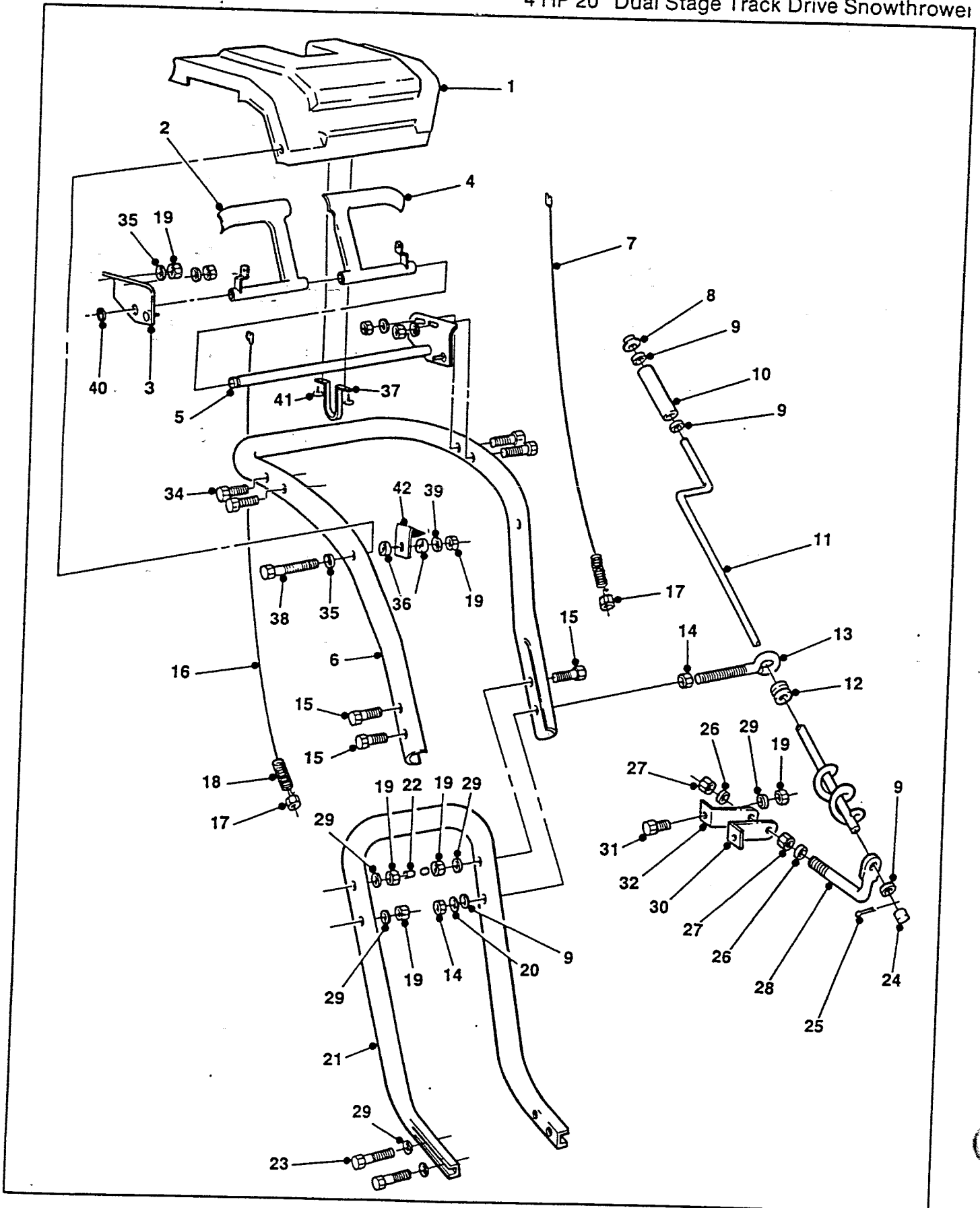


Upper Handle Assembly

J.C.PENNEY MODEL: A 420TRAC

CAT. 850-1975

4 HP 20" Dual Stage Track Drive Snowthrower



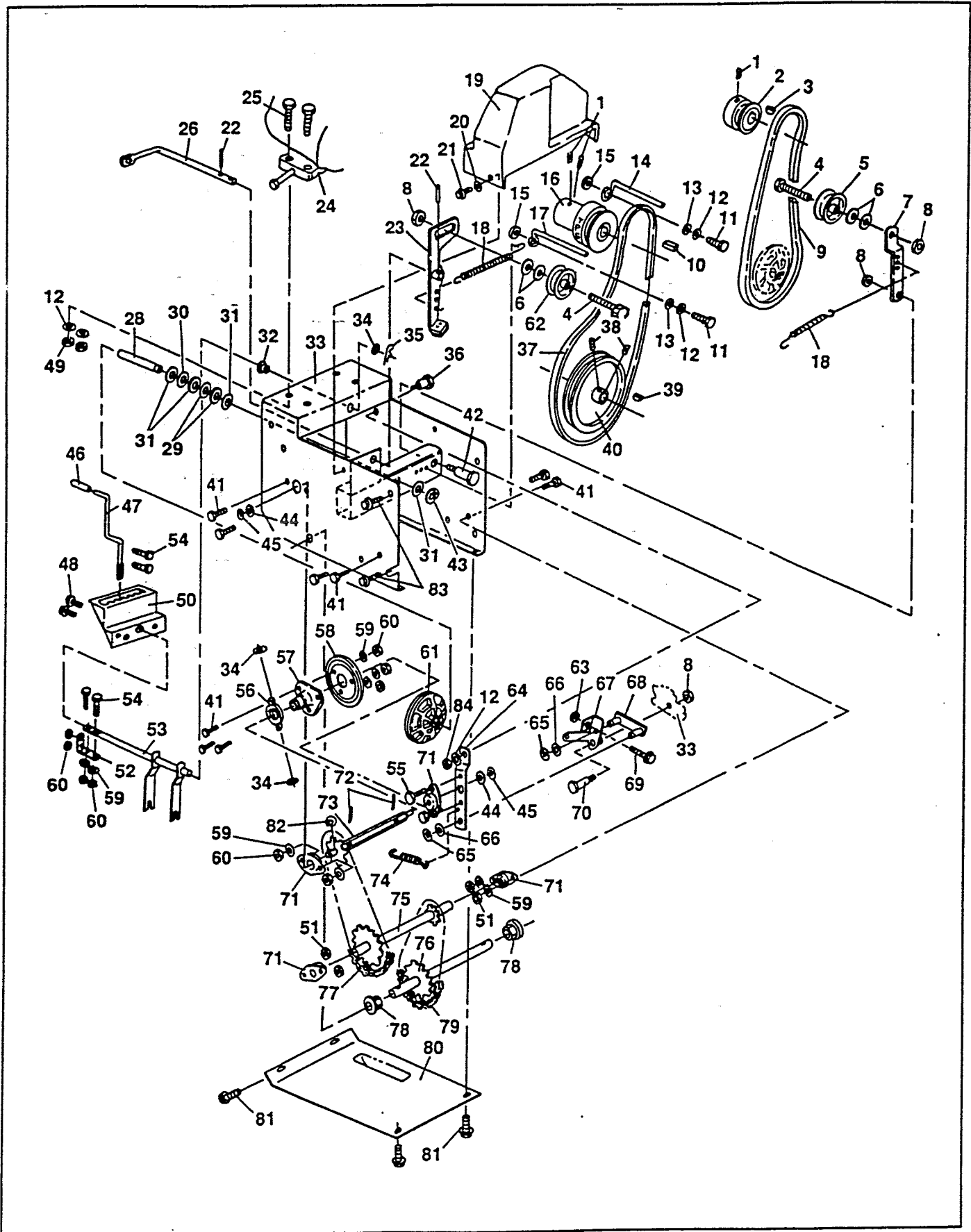
Upper Handle Assembly

J.C.PENNEY MODEL: A 420TRAC
 CAT. 850-1975
 4 HP 20" Dual Stage Track Drive Snowthrower

Ref. No.	JCPenny Part No.	Supplier Part No.	Description	Ref. No.	JCPenny Part No.	Supplier Part No.	Description
1	1334-3348	612051	Control panel	22	1334-3447	612143	Plastic stop
2	1334-3355	612069	Clutch handle R.H.	23	1317-8439	312082	5/16-18 x 1/2 bolt
3	1334-3364	612077	Bracket weld pin R.H.	24	1317-8389	672956	Plastic cap
4	1334-3371	612085	Clutch handle L.H.	25	1317-8371	151472	3/32 x 1 cotter pin
5	1334-3389	612093	Bracket rod assembly L.H.	26	1317-8298	311035	1/2 lockwasher
6	1334-3397	612101	Upper handle	27	1317-8280	157339	1/2-20 jam nut
7	1334-3405	612119	Traction cable	28	1317-8272	697680	Rod, chute control
8	1317-8314	152926	3/8 cap retainer	29	1317-7134	311118	5/16 lockwasher
9	1283-1509	715417	3/8 washer	30	1317-8256	697664	Bracket, chute rotate L.H.
10	1317-8306	672253	Handle	31	1277-8312	313510	5/16-18 x 3/4 carriage bolt
11	1317-8397	662791	Crank	32	1334-3454	612150	Bracket, chute rotate R.H.
12	1317-8249	672220	Grommet	33	1317-6946	312280	5/16-18 x 1-3/4 bolt
13	1317-6847	458984	Eye bolt	34	1277-7769	150250	5/16-18 x 1-1/2 bolt
14	1317-6748	715524	3/8-16 jam nut	35	1302-7040	715185	5/16 Flat washer
15	1334-3413	158154	5/16-18 x 2-3/4 bolt	36	1334-3462	612168	Washer bevel
16	1334-3421	612127	Auger cable	37	1334-3470	612176	Bracket panel
17	1317-6490	150391	1/4-20 locknut	38	1278-5051	457085	5/16-18 x 2 bolt
18	1317-8330	645622	Spring, auger clutch	39	1317-7134	311118	5/16 Lockwasher
19	1317-7167	310045	5/16-18 hex nut	40	1334-3710	612390	5/8 "E" Ring
20	1317-6979	150185	3/8 lockwasher	41	1334-4387	612754	#10 x 1/2 Self tapping screw
21	1334-3439	612135	Lower handle	42	1334-6531	613141	Bracket panel support

Motor Mount Assembly

J.C.PENNEY MODEL: A 420TRAC
CAT. 850-1975
4 HP 20" Dual Stage Track Drive Snowthrower



Motor Mount Assembly

J.C.PENNEY MODEL: A 420TRAC

CAT. 850-1975

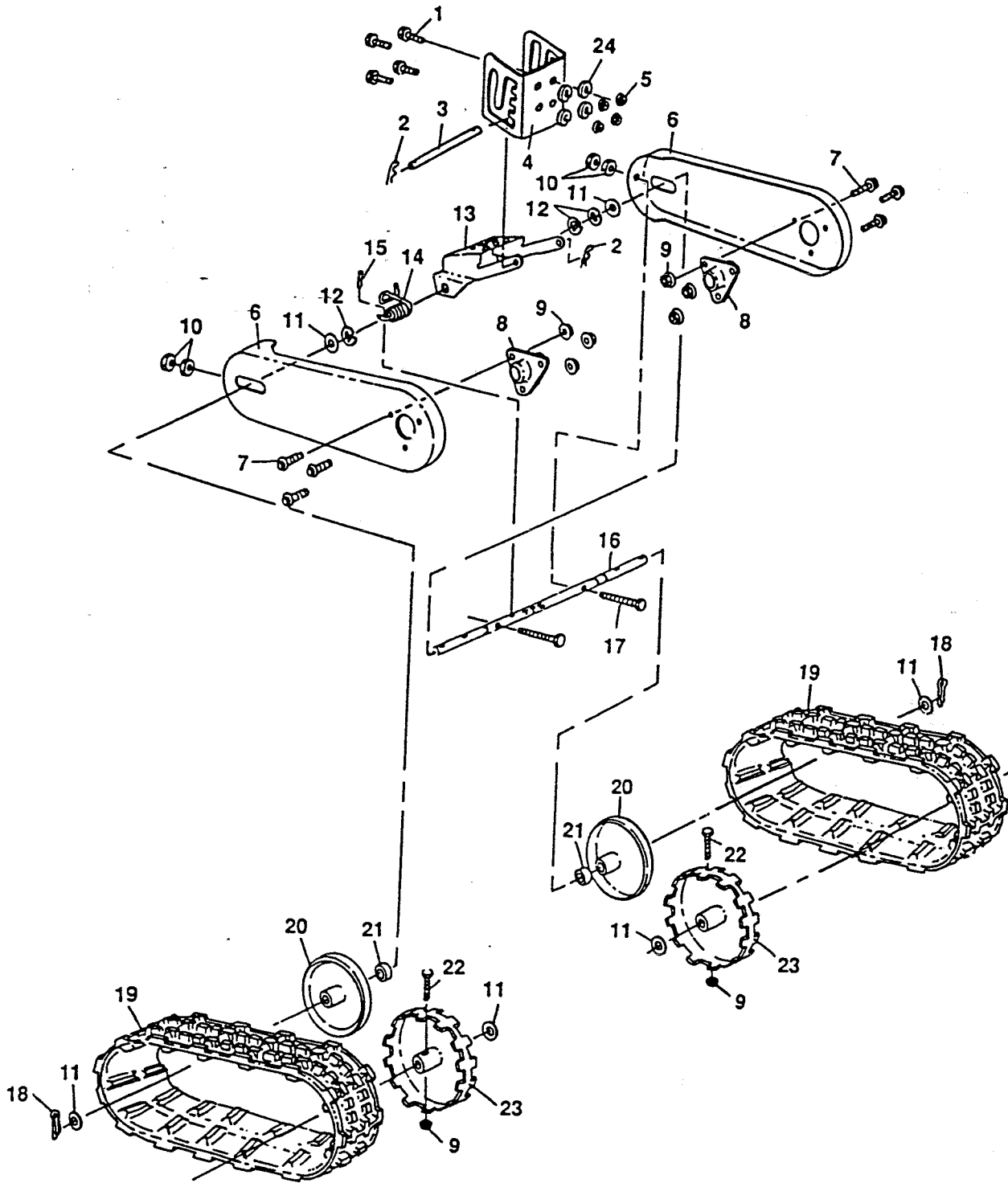
4 HP 20" Dual Stage Track Drive Snowthrower

Ref. No.	JCPenny Part No.	Supplier Part No.	Description	Ref. No.	JCPenny Part No.	Supplier Part No.	Description
1	1317-6185	153049	5/16-18 x 1/2 set screw	43	1334-3710	612390	Retaining ring
2	1334-4395	707240	PTO pulley	44	1134-3728	612408	Thrust washer
3	1317-6201	157313	Key no. 5	45	1334-3736	612416	Retaining ring
4	1317-6789	312322	Screw, Hex Hd, 3/8-16 x 1-3/4 in.	46	1334-3744	612424	Hand grip
5	1334-3488	612184	Idler pulley	47	1334-3751	612432	Shift lever
6	1283-1509	715417	3/8 flat washer	48	1317-6052	315085	5/16-18 x 1/2 screw
7	1334-3496	612192	Idler arm	49	1317-7167	310045	5/16-18 nut
8	1317-6748	715524	3/8-16 hex jam nut	50	1334-3769	612440	Shift bracket
9	1334-3504	612200	Belt, traction drive, Special	51	1302-2132	310052	1/4-20 locknut
10	1334-3512	612218	Square key	52	1334-3777	612457	Shifter spring
11	1317-6177	153064	5/16-24 x 1 bolt	53	1334-3785	612465	Shift yoke assembly
12	1317-5997	311118	5/16 lockwasher	54	1334-3793	715034	1/4-20 x 3/4 bolt
13	1302-7040	715185	5/16 flat washer	55	1317-6045	153007	1/4-20 x 1/2 screw
14	1334-3520	612226	Belt guide L.H.	56	1317-6433	662833	Trunion bearing assembly
15	1317-6144	663484	Spacer, belt retainer	57	1317-6441	662551	Hub friction wheel
16	1334-3538	612234	Pulley, auger drive	58	1317-6458	707141	Friction wheel
17	1334-3546	612242	Belt guide R.H.	59	1302-7206	715094	1/4 lockwasher
18	1334-3553	612259	Spring	60	1302-2132	310052	1/4-20 hex nut
19	1334-3561	612267	Belt cover	61	1334-3801	612473	Disc drive
20	1277-8346	153300	1/4 flat washer	62	1334-3819	612481	Idler pulley
21	1317-6045	153007	1/4-20 x 1/2 self tapping screw	63	1317-7167	310045	5/16-18 nut
22	1334-3579	156778	Roll pin	64	1334-3827	612283	Clutch lever
23	1334-3587	612275	Brake arm assembly	65	1334-3835	612507	Retaining ring
24			4 HP Tecumseh engine	66	1302-7040	715185	Flat washer
25	1277-7769	150250	5/16-18 x 1-1/2 bolt	67	1334-3843	612515	Drive lever assembly
26	1334-3595	612291	Auger clutch lever	68	1334-3850	612523	Linkage
27	1277-8304	310151	5/16-18 locknut	69	1302-0755	153494	5/16-18 x 1-1/2 screw
28	1334-3603	612309	Shaft, pulley, traction	70	1334-3868	612994	Shoulder bolt
29	1334-3611	612317	Needle bearing	71	1334-3876	612531	Bearing, self centering
30	1334-3629	612325	Thrust needle bearing	72	1317-6417	314112	1/8 x 3/4 roll pin
31	1334-3637	612333	Thrust washer	73	1334-3884	612549	Hex shaft, drive
32	1334-3645	612341	Bushing, plastic	74	1334-3892	612556	Return spring
33	1334-3652	612358	Motor mount frame	75	1334-3900	612564	Jackshaft & sprocket assembly
34	1317-6060	153155	Washer	76	1334-3918	612572	Sprocket & axle assembly
35	1317-8371	151472	Cotter pin	77	1334-3926	612580	Chain assembly
36	1334-3660	303023	Shoulder bolt	78	1334-3934	612598	Bearing, axle
37	1334-3678	612366	Belt, auger drive, Special	79	1334-3942	612606	Chain
38	1317-7407	153577	5/16-18 x 3/4 bolt	80	1334-3959	612614	Bottom panel
39	1317-6086	612374	Key	81	1230-5892	525337	10-24 x 1/2 bolt
40	1334-3694	612382	Auger pulley	82	1317-6425	153262	1-1/4 snap ring
41	1317-6466	153171	1/4-20 x 5/8 bolt	83	1302-9145	457523	5/16-18 x 3/4 self tapping screw
42	1334-3702	612986	Shoulder bolt				

Track Assembly

J.C.PENNEY MODEL: A 420TRAC
CAT. 850-1975

4 HP 20" Dual Stage Track Drive Snowthrower



Track Assembly

J.C.PENNEY MODEL: A 420TRAC

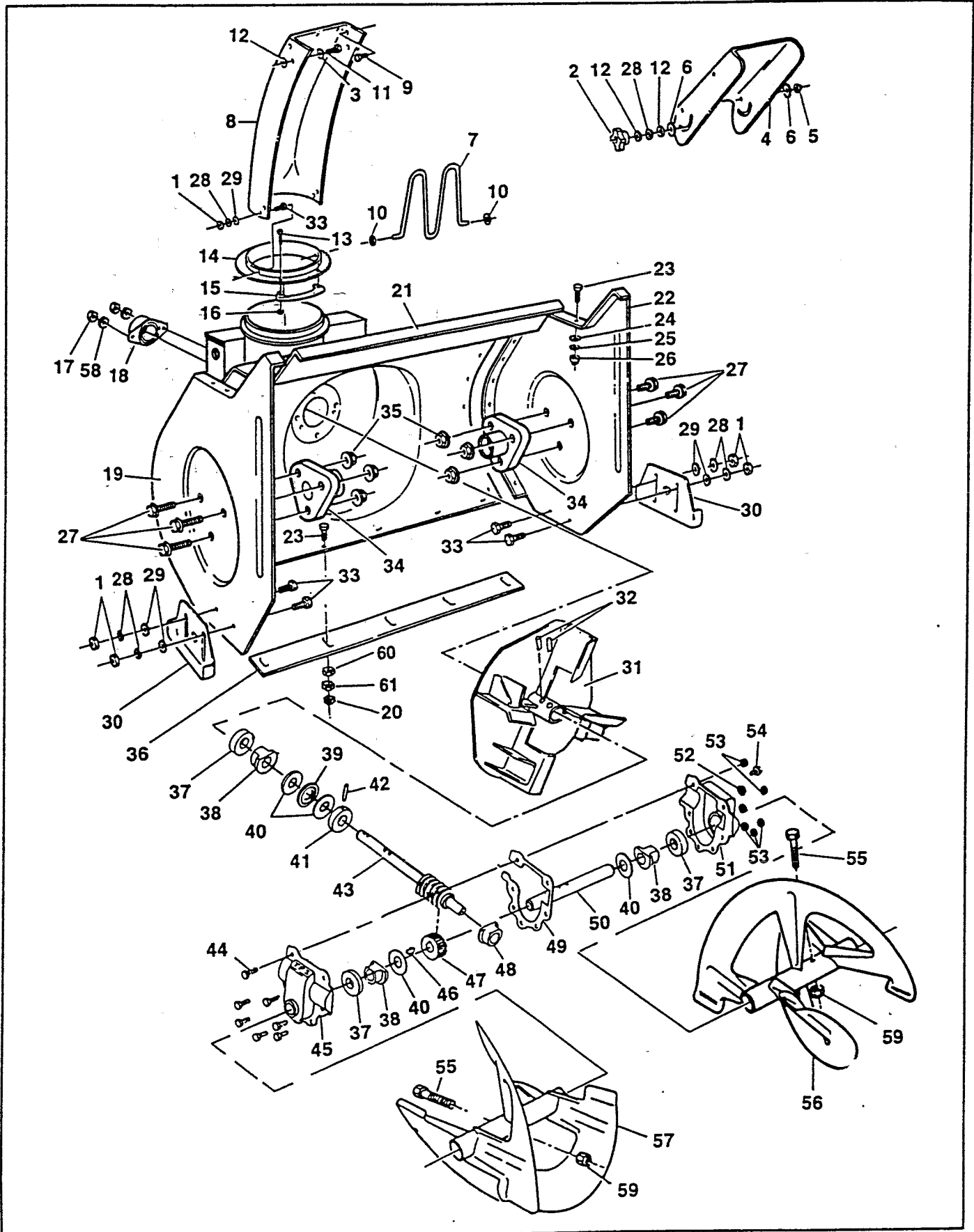
CAT. 850-1975

4 HP 20" Dual Stage Track Drive Snowthrower

Ref. No.	JCPenny Part No.	Supplier Part No.	Description	Ref. No.	JCPenny Part No.	Supplier Part No.	Description
1	1278-5028	312066	5/16-18 x 3/4 bolt	13	1334-4015	612663	Foot pedal
2	1317-8371	151472	Cotter pin	14	1334-4023	612671	Spring
3	1332-3967	612622	Pivot pin	15	1300-2555	314096	Roll pin
4	1334-3975	612630	Mounting bracket	16	1334-4031	612689	Shaft, idler axle
5	1317-6953	310045	5/16-18 nut	17	1334-4049	162107	1/4-20 x 3 bolt
6	1334-3983	612648	Track support frame	18	1334-4056	612697	Self locking pin
7	1334-3793	715034	1/4-20 x 3/4 bolt	19	1334-4064	612705	Track
8	1334-3991	612655	Bearing	20	1334-4072	612713	Idler wheel
9	1302-1951	715078	Wide flange locknut	21	1334-4080	612721	Spacer
10	1334-4007	715060	Locknut	22	1302-9541	152900	1/4-20 x 1-1/2 bolt
11	1302-8576	311282	Flat washer	23	1334-4098	612739	Wheel, track drive
12	1334-3710	612390	"E" ring	24	1317-5997	311118	5/16 split lockwasher

Auger Housing Assembly

J.C.PENNEY MODEL: A 420TRAC
CAT. 850-1975
4 HP 20" Dual Stage Track Drive Snowthrower



Auger Housing Assembly

**J.C.PENNEY MODEL: A 420TRAC
CAT. 850-1975**

4 HP 20" Dual Stage Track Drive Snowthrower

Ref. No.	JCPenny Part No.	Supplier Part No.	Description	Ref. No.	JCPenny Part No.	Supplier Part No.	Description
1	1317-7167	310045	5/16 hex nut	30	1334-4155	612804	Height adjustor skid
2	1317-7258	707323	Knob	31	1334-4163	612812	Impeller assembly
3	1317-7282	461996	Flatwasher	32	1334-4171	314088	Roll pin
4	1317-7191	697706	Chute deflector	33	1277-8312	315510	5/16-18 x 3/4 carriage bolt
5	1277-8304	310151	5/16-18 locknut	34	1334-4189	612820	Bearing
6	1317-7225	672972	Plastic washer	35	1304-0407	151340	Wide flange locknut
7	1317-7373	708164	Hand guard	36	1334-4197	612838	Scraper bar
8	1317-6987	662684	Chute extension	37	1334-4205	612846	Oil seal
9	1317-7340	157321	5/16-18 x 3/4 pan head slotted bolt	38	1334-4213	612853	Bushing
10	1270-0910	715102	3/16 grip ring	39	1317-8686	707562	Needle bearing
11	1317-7316	313502	5/16-18 x 1 carriage bolt	40	1334-4221	612861	Thrust washer
12	1283-1509	715417	3/8 flat washer	41	1334-4239	612879	Thrust collar
13	1317-7100	458232	8-32 x 1/2 bolt	42	1300-2555	314096	Roll pin
14	1317-7019	662668	Flange	43	1334-4247	612887	Input shaft
15	1317-7043	697698	Retainer	44	1331-4729	708206	1/4-20 x 3/4 screw
16	1317-7076	154096	8-32 locknut	45	1334-4254	612895	R.H. gear case
17	1317-6722	715391	3/8-18 nut	46	1334-4262	316018	Woodruff key
18	1334-4106	612762	Bearing	47	1334-4270	612903	Worm gear
19	1334-4114	612770	Side plate R.H.	48	1334-4288	612911	Bushing
20	1302-2123	310052	1/4-20 nut	49	1334-4296	612929	Gasket
21	1334-4122	612788	Auger housing	50	1334-4312	612937	Output shaft
22	1334-4130	612796	Side plate L.H.	51	1334-4320	612945	L.H. gear case
23	1277-8197	150011	1/4-20 x 5/8 carriage bolt	52	1300-2548	715037	1/4-20 keps nut
24	1277-8346	715300	Flatwasher	53	1302-9566	152967	1/4-20 locknut
25	1302-7206	715094	Lockwasher	54	1334-4338	162115	3/8-16 x 1/2 taptite screw
26	1302-2132	310052	Nut	55	1334-4346	612952	Shear bolt
27	1334-4148	312060	5/16-18 x 3/4 bolt	56	1334-4353	612960	20" auger L.H.
28	1317-7134	311118	5/16 lockwasher	57	1334-4361	612978	20" auger R.H.
29	1302-7040	715185	5/16 flat washer	58	1317-6979	150185	3/8 lockwasher
				59	1317-7373	708164	5/16-18 locknut
				60	1277-8346	715300	1/4" flatwasher
				61	1302-7206	715094	1/4" lockwasher