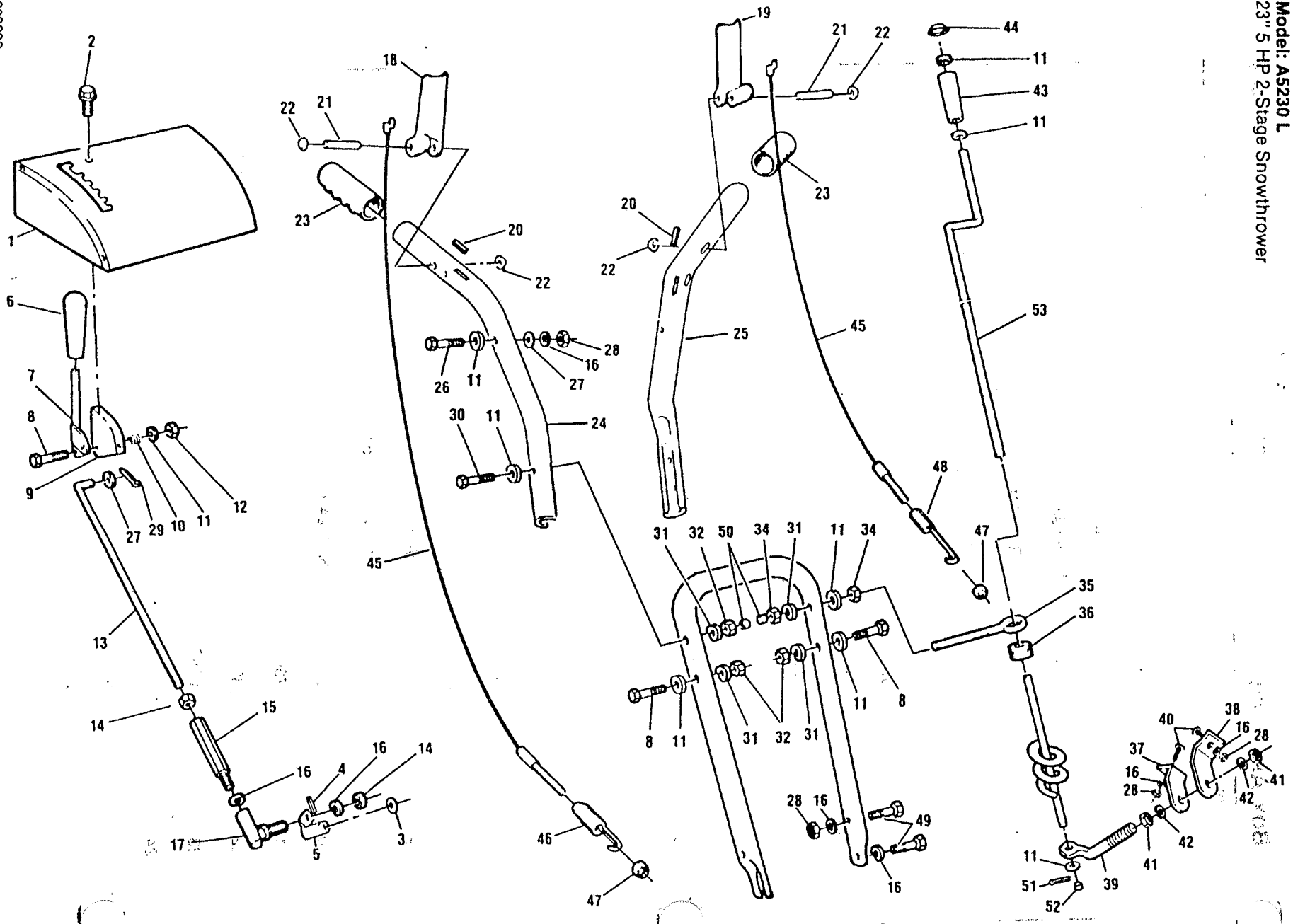


Upper Handle Assembly

Model: A5230 L
23" 5 HP 2-Stage Snowthrower

P/L 689299
S/N 603027

100

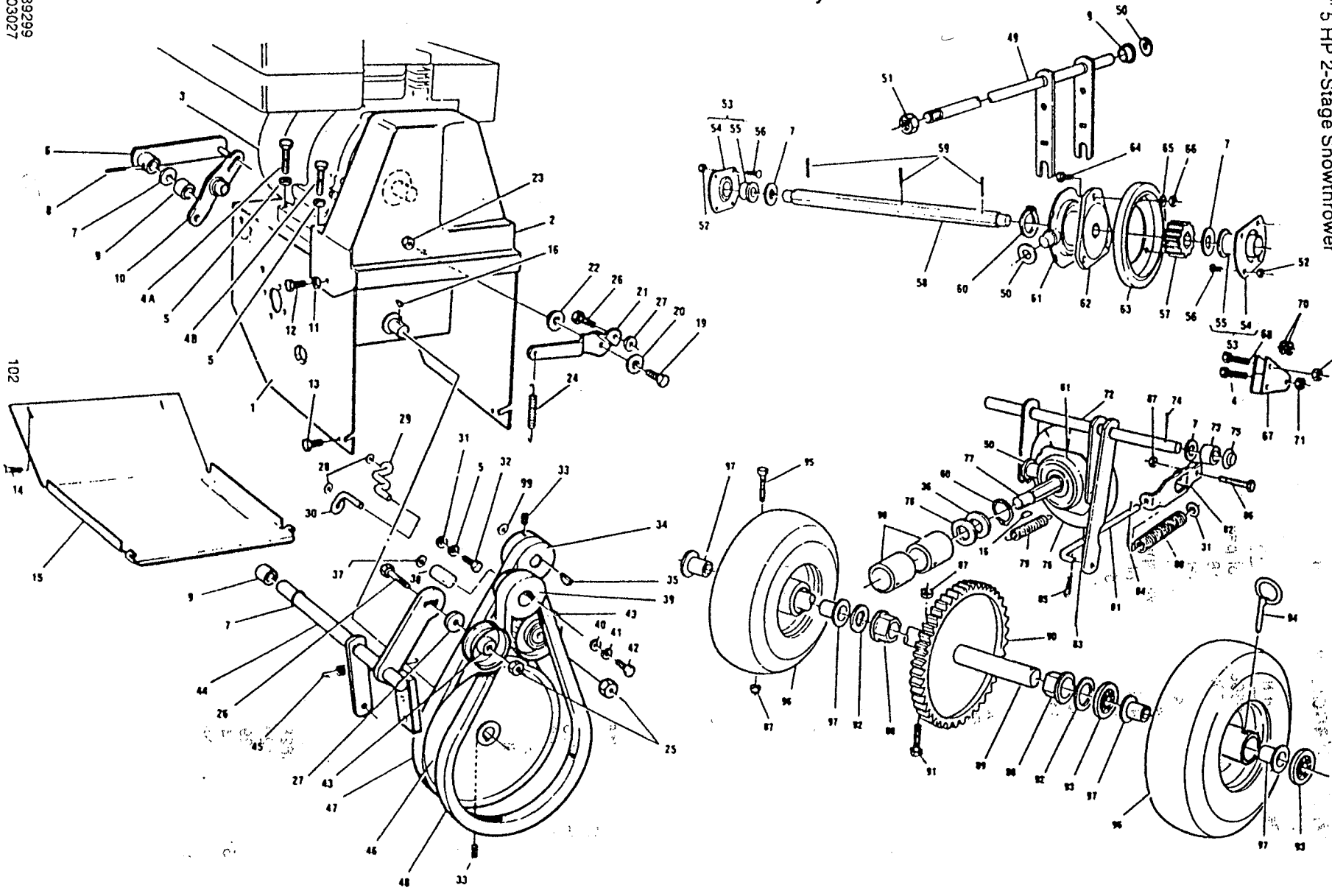


Upper Handle Assembly

Ref. No.	Part No.	Description
1	665067	Control panel
2	315085	5/16-18 x 1/2 self tapping screw
3	153155	Washer
4	153106	5/32 x 7/8 roll pin
5	662452	Lever speed control
6	744243	Control knob
7	662726	Speed control lever
8	312322	3/8-16 x 1-3/4 bolt
9	662734	Bracket speed control
10	645630	Spring
11	715417	3/8 flat washer
12	451195	3/8-16 locknut
13	662767	Rod speed control
14	152934	5/16-24 hex nut
15	664763	Adaptor
16	311118	5/16 lockwasher
17	707372	Ball joint
18	662759	Clutch handle R.H.
19	662742	Clutch handle L.H.
20	657494	Bumper
21	663542	Pivot pin
22	153767	5/16 cap retainer
23	707315	Handle grip
24	657460	Upper handle R.H.
25	657478	Upper handle L.H.
26	312280	5/16-18 x 1-3/4 bolt
27	715185	5/16 flat washer
28	310045	5/16-18 hex nut
29	715029	3/32 x 3/4 cotter pin
30	456780	3/8-16 x 3 bolt
31	150185	3/8 lockwasher
32	715391	3/8-16 hex nut
33	657247	Lower handle
34	715524	3/8-16 jam nut
35	458984	3/8 eye bolt
36	672220	Grommet
37	697664	Bracket chute rotate L.H.
38	697672	Bracket chute rotate R.H.
39	697680	Rod chute control
40	313510	5/16-18 x 3/4 carriage bolt
41	157339	1/2-20 jam nut
42	311035	1/2 lockwasher
43	672253	Handle crank
44	152926	3/8 cap retainer
45	645614	Clutch cable
46	645622	Spring auger clutch
47	150391	1/4-20 locknut
48	662874	Spring drive clutch
49	312066	5/16-18 x 3/4 bolt
50	672964	Plastic stop
51	151472	3/32-1 cotter pin
52	672956	Plastic cap
53	662791	Crank

Model: A5230 L
23" 5 HP 2-Stage Snowthrower

Motor Mount Assembly



P/L 689299
S/N 603027

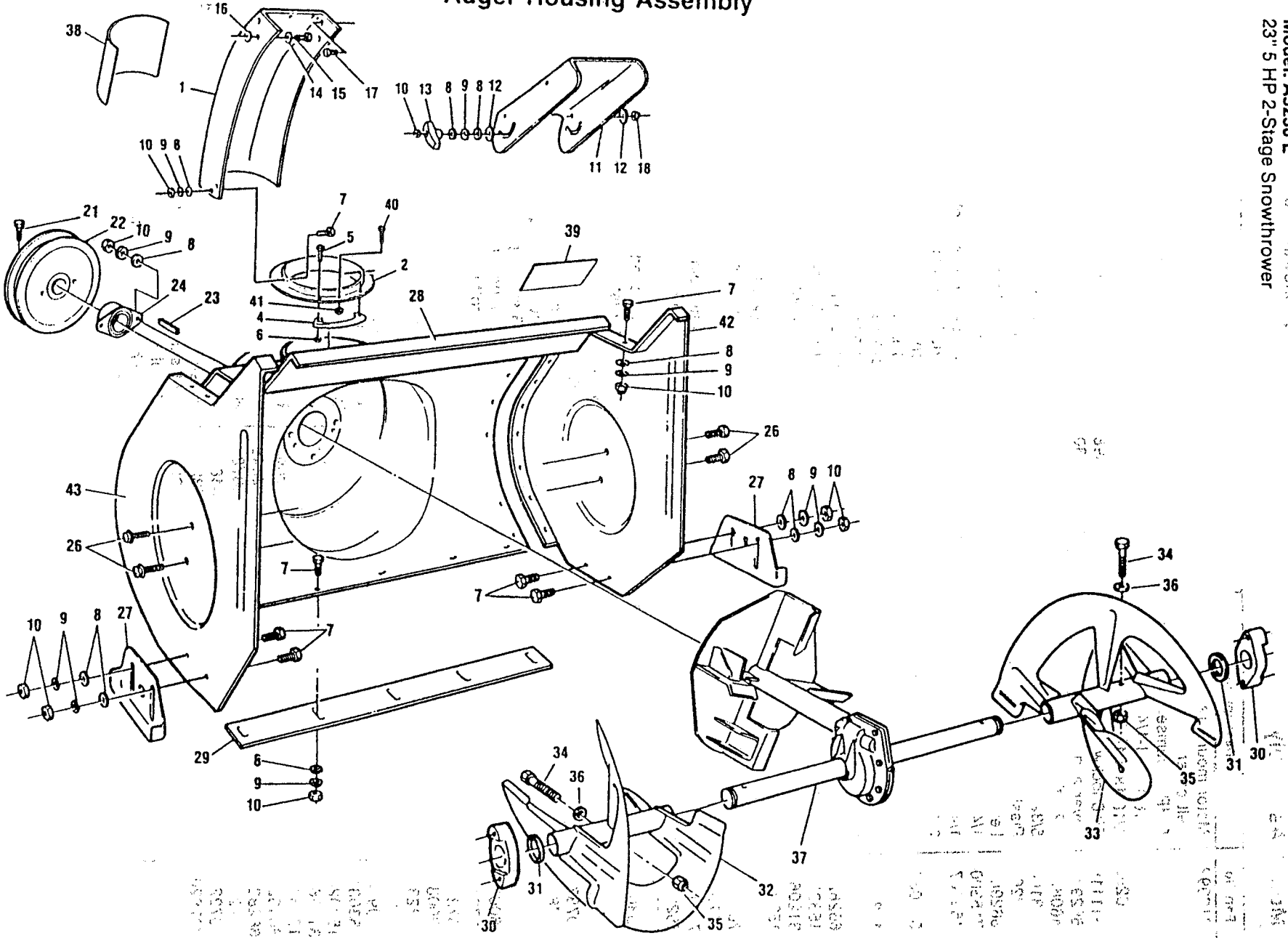
Model: A5230 L
23" 5 HP 2-Stage Snowthrower

Motor Mount Assembly

Ref. No.	Part No.	Description	Ref. No.	Part No.	Description
1	712992	Motor mount frame	49	662437	Speed control shaft
2	707307	Belt cover	50	153155	Washer
3		5 HP Tecumseh engine	51	310011	3/8-16 locknut
4A	150045	5/16-18 x 1-1/4 bolt	52	715334	10-24 keps nut
4B	150250	5/16-18 x 1-1/2 bolt	53	708198	Bearing assembly
5	311118	5/16 lockwasher	54	707398	Flange bearing
6	662973	Lever auger clutch	55	707380	Bearing
7	460824	1/2 - flat washer	56	153163	10-24 x 3/8 carriage bolt
8	153106	5/32 x 7/8 roll pin	57	707174	Pinion 8 tooth
9	672261	Plastic bushing	58	707166	Hex shaft
10	662981	Lever clutch cable	59	314112	1/8 x 3/4 roll pin
11	715300	1/4 - flat washer	60	153262	1 1/4 - snap ring
12	153007	1/4-20 x 1/2 self tapping screw	61	662833	Trunion bearing assembly
13	315085	5/16-18 x 1/2 self tapping screw	62	662551	Hub friction wheel
14	153007	1/4-20 x 1/2 self tapping screw	63	707141	Friction wheel
15	662627	Bottom panel	64	153171	1/4-20 x 5/8 bolt
16	153080	Hypro key 3/16	65	715094	1/4 lockwasher
19	312066	5/16-18 x 3/4 bolt	66	310052	1/4-20 hex nut
20	153247	5/16 x 1 3/8 x 14 GA washer	67	662387	Pivot traction
21	707273	Lever idler traction	68	525196	1/4-20 x 1 3/4 bolt
22	707067	Spacer	69	616375	1/4-20 locknut
23	715177	5/16-18 locknut	70	153569	Spacer
24	662817	Spring	71	715177	5/16-18 locknut
25	715524	3/8-16 hex jam nut	72	662478	Traction shaft assy.
26	153015	3/8-16 x 1 1/4 bolt	73	707109	Bushing
27	715417	3/8 - flat washer	74	317016	1/8 x 1 cotter pin
28	663484	Spacer belt retainer	75	153205	1/2 - push nu:
29	707877	Belt guide L.H.	76	662866	Disc drive
30	707885	Belt guide R.H.	77	664631	Traction hex shaft
31	715185	5/16 - flat washer	78	664680	Bearing thrust
32	153064	5/16-24 x 1 bolt	79	662858	Spring
33	380063	5/16-18 x 1/2 set screw	80	662841	Spring traction
34	707240	PTO pulley	81	664649	Rod - traction
35	157313	Key no. 5	82	662585	Bracket traction spring
36	380089	Washer thrust	83	153122	1/8 x 1 3/8 spring pin
37	153239	Washer	84	153130	1/8 x 1/2 spring pin
38	672998	Spacer	85	715029	3/32 x 3/4 cotter pin
39	170910	Pulley auger drive	86	450353	1/4-20 x 1 1/4 bolt
40	153031	Washer	87	152967	1/4-20 locknut
41	153023	3/8 lockwasher	88	707828	Bearing axle
42	312363	3/8-24 x 1 bolt	89	664656	Axle
43	170530	2" idler pulley	90	664664	48 tooth gear
44	664623	Auger clutch rod	91	153148	1/4-20 x 2 3/4 bolt
45	662825	Spring	92	153239	Washer
46	707216	Traction pulley 8"	93	663476	Grip ring
47	707224	Belt traction drive	94	153619	Clk pin
48	707620	Belt auger drive	95	312090	1/4-20 x 1 1/2 bolt GR5
			96	042846	Wheel
			97	708784	Bushing wheel
			98	664672	Bearing needle
			99	153239	Washer
				662676	(Not shown) Tire chain kit Model 5230
				630111	(Not shown) Electric start Model 5230

Model: A5230 L
23" 5 HP 2-Stage Snowthrower

Auger Housing Assembly



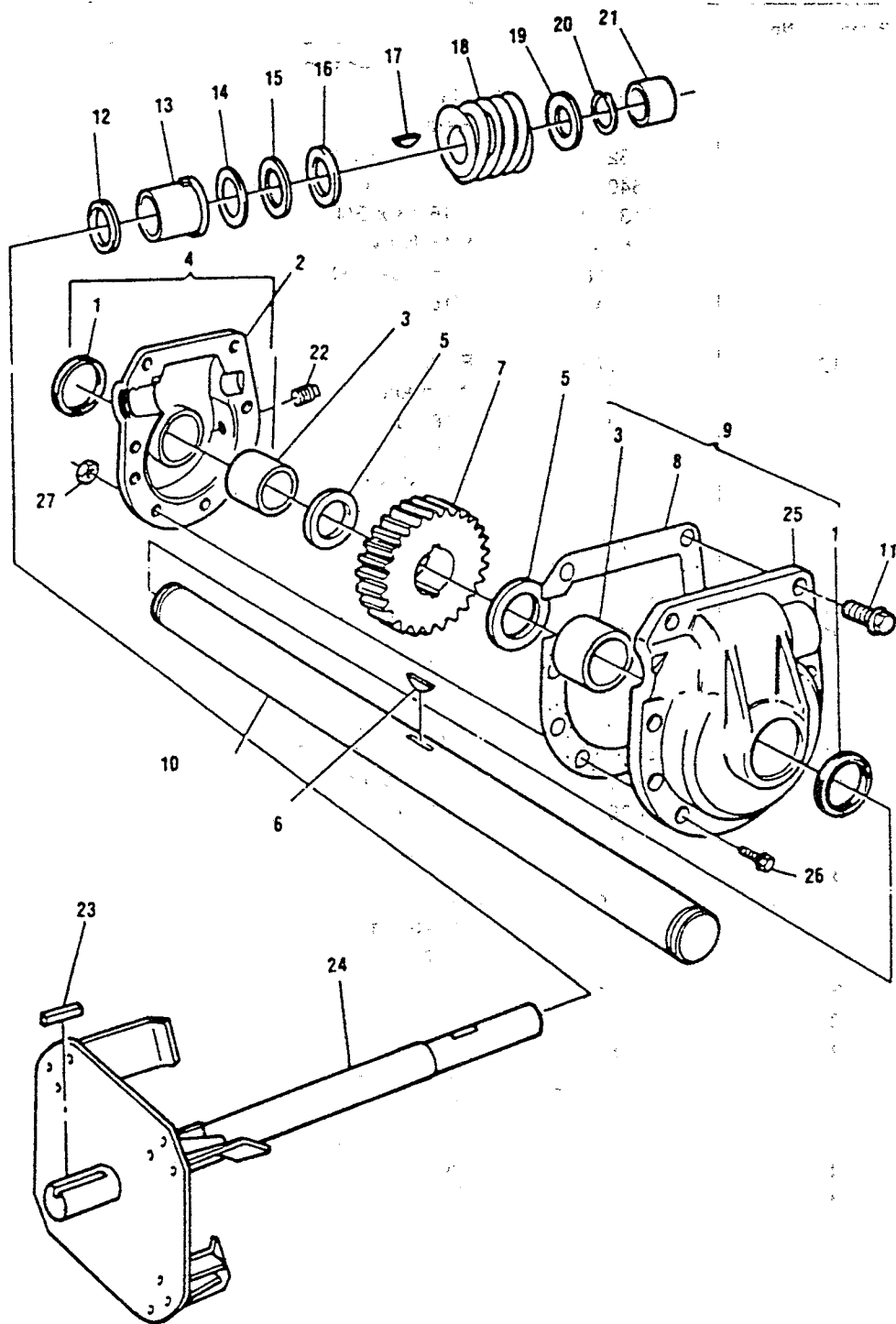
P/L 689299
S/N 603027

Auger Housing Assembly

Reference No.	Part No.	Description
1	662684	Chute extension
2	698449	Flange
4	697698	Retainer
5	458232	8-32 x 1/2 bolt
6	154096	8-32 locknut
7	313510	5/16-18 x 3/4 carriage bolt
8	715185	5/16 flat washer
9	311118	5/16 lockwasher
10	310045	5/16 hex nut
11	697706	Chute deflector
12	672972	Plastic washer
13	673509	Wing knob
14	461996	7/16 flat washer
15	313502	5/16-18 x 1 carriage bolt
16	715417	3/8 flat washer
17	157321	5/16-18 x 3/4 pan head slotted bolt
18	310151	5/16-18 locknut
21	380048	5/16-18 x 5/8 bolt
22	707190	Auger pulley 6.5"
23	707943	3/16 key
24	708222	7/8 bearing
26	457523	5/16-18 x 3/4 self tapping screw
27	662569	Height adjustor
28	665190	Auger housing 23"
29	662429	23" scraper bar
30	707661	Bushing auger shaft
31	153387	Washer
32	662510	23" serrated auger R.H.
33	662502	23" serrated auger L.H.
34	708206	1/4-20 x 1-3/4 bolt
35	152967	1/4-20 locknut
36	672980	Spacer
37	713008	23" gear box assembly
38	677690	Decal - Danger
39	677682	Decal - Danger
40	150169	1/4-20 x 1 bolt
41	452615	1/4-20 locknut
42	665208	Side plate L.H.
43	665216	Side plate R.H.

Model: A5230 L
23" 5 HP 2-Stage Snowthrower

Gear Box Assembly



Gear Box Assembly

Model: A5230 L
23" 5 HP 2-Stage Snowthrower

Reference No.	Part No.	Description
1	707471	Seal
2	707547	Housing L.H.
3	707463	Bearing
4	707455	Housing assembly L.H.
5	707430	Race thrust
6	153353	Key Woodruff #91
7	707422	Worm gear
8	707448	Gasket
9	707489	Housing assembly R.H.
10	662486	23" auger shaft
11	153361	5/16-24 x 1-1/2 bolt
12	153346	Ring quad
13	708214	Bearing impeller shaft
14	153320	Race thrust
15	153312	Bearing needle
16	153304	Race thrust
17	153080	Key 3/16"
18	707513	Worm
19	152959	Race thrust
20	153296	Ring retainer
21	707505	Bearing impeller shaft
22	153288	Grease plug
23	707943	3/16" key
24	713024	Impeller shaft assy.
25	707539	Housing R.H.
26	153064	5/16-24 x 1 bolt
27	153189	5/16-24 flange locknut
	713008	23" gear box assembly (complete)