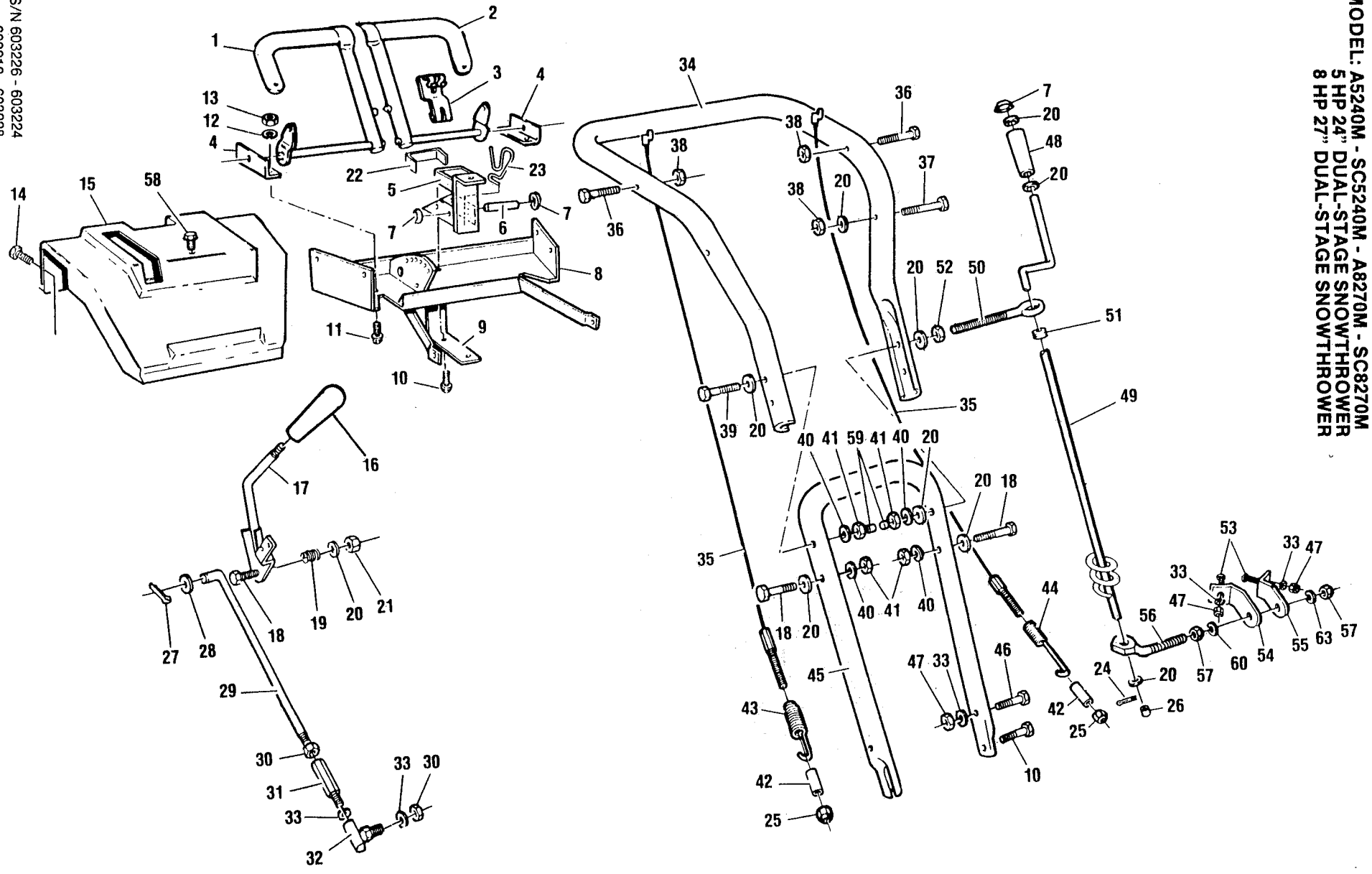


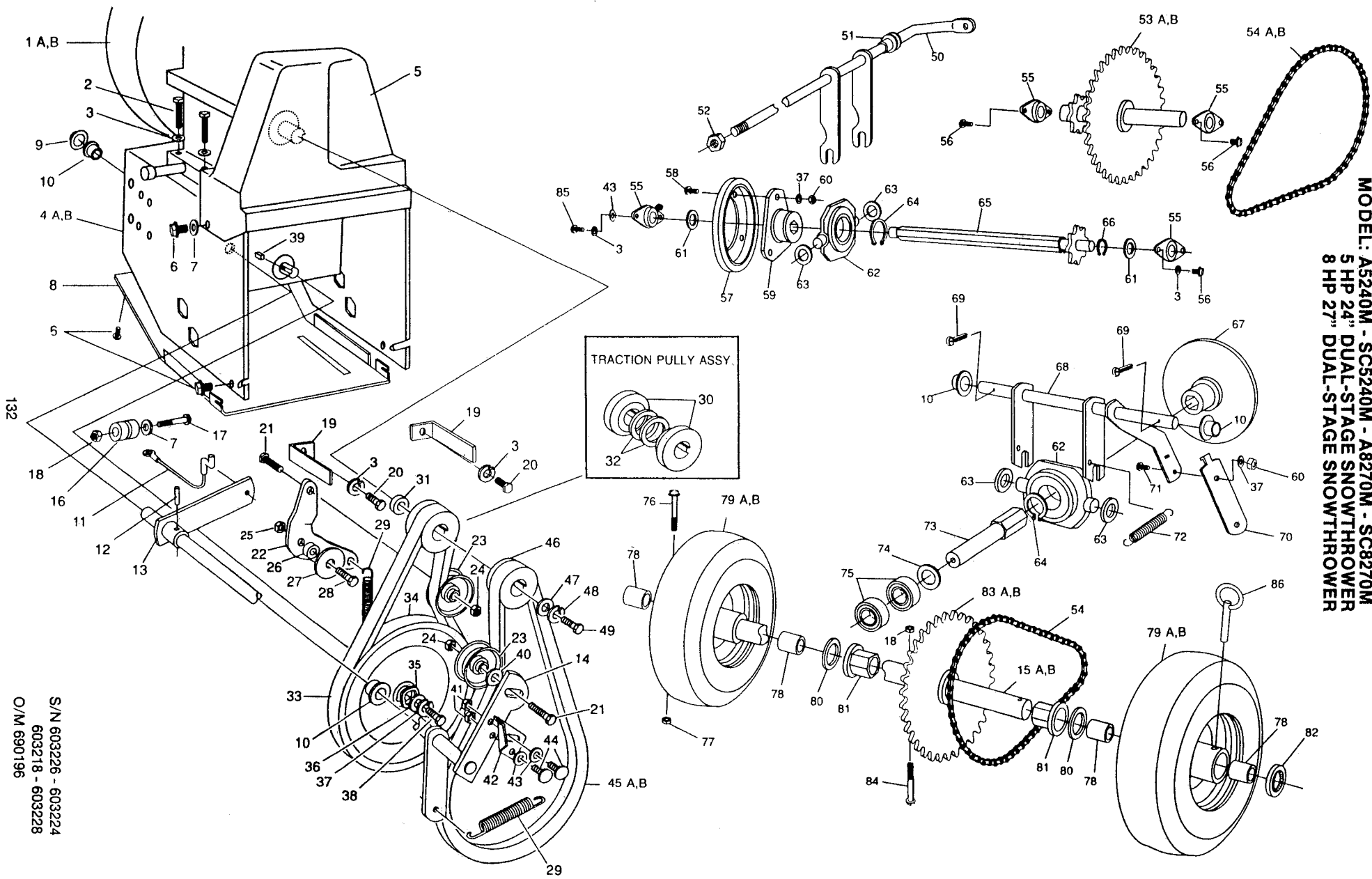
MODEL: A5240M - SC5240M - A8270M - SC8270M
 5 HP 24" DUAL-STAGE SNOWTHROWER
 8 HP 27" DUAL-STAGE SNOWTHROWER



S/N 603226 - 603224
 603218 - 603228
 O/M 690196

**MODEL: A5240M - SC5240M - A8270M - SC8270M
5 HP 24" DUAL-STAGE SNOWTHROWER
8 HP 27" DUAL-STAGE SNOWTHROWER**

Ref. No.	Part No.	Description	Ref. No.	Part No.	Description
1	664722	Clutch handle R.H.	34	697656	Upper handle
2	664730	Clutch handle L H	35	645614	Clutch cable
3	713180	Cam lock	36	150250	5/16-18 x 1-1/2 bolt
4	657361	Clutch handle bracket	37	312280	5/16-18 x 1-3/4 bolt
5	666644	Bracket light	38	715177	5/16-18 locknut
6	657411	Pin latch	39	456780	3/8-16 x 2-1/2 bolt
7	152926	3/8 cap retainer	40	150185	3/8 lockwasher
8	664789	Console bracket standard	41	715391	3/8-16 hex nut
9	657312	Bracket console support	42	657270	Spacer
10	315085	5/16-18 x 1/2 self tapping screw	43	645622	Spring auger clutch
11	715052	1/4-20 x 1/2 bolt	44	709303	Spring drive clutch
12	715094	1/4 lockwasher	45	657247	Lower handle
13	310052	1/4-20 hex nut	46	312066	5/16-18 x 3/4 bolt
14	153007	1/4-20 x 1/2 self tapping screw	47	310045	5/16-18 hex nut
15	673491	Console standard (without remote chute)	48	672253	Handle crank
16	112169	Control knob	49	663278	Crank
17	657288	Speed control lever	50	458984	3/8 eye bolt
18	312322	3/8-16 x 1-3/4 bolt	51	672220	Grommett
19	645630	Spring	52	715524	3/8-16 jam nut
20	715417	3/8 flat washer	53	313510	5/16-18 x 3/4 carriage bolt
21	451195	3/8-16 locknut	54	697664	Bracket chute rotate L.H.
22	673483	Rubber pad	55	612150	Bracket chute rotate R.H.
23	666651	Spring cam assist	56	697680	Rod chute control
24	151472	3/32 x 1 cotter pin	57	157339	1/2-20 jam nut
25	150391	1/4 x 20 locknut	58	457523	5/16-18 x 3/4 self tapping screw
26	672956	Plastic cap	59	672964	Plastic stop
27	715029	3/32 x 3/4 cotter pin	60	311035	1/2 lockwasher
28	715185	5/16 flat washer		630160	(Not shown) Light kit Model 8270 w/o alt.
29	657296	Rod speed control		630137	Model 8270 with alt.
30	152934	5/16-24 hex nut			
31	664763	Adaptor			
32	707372	Ball joint			
33	311118	5/16 lockwasher			



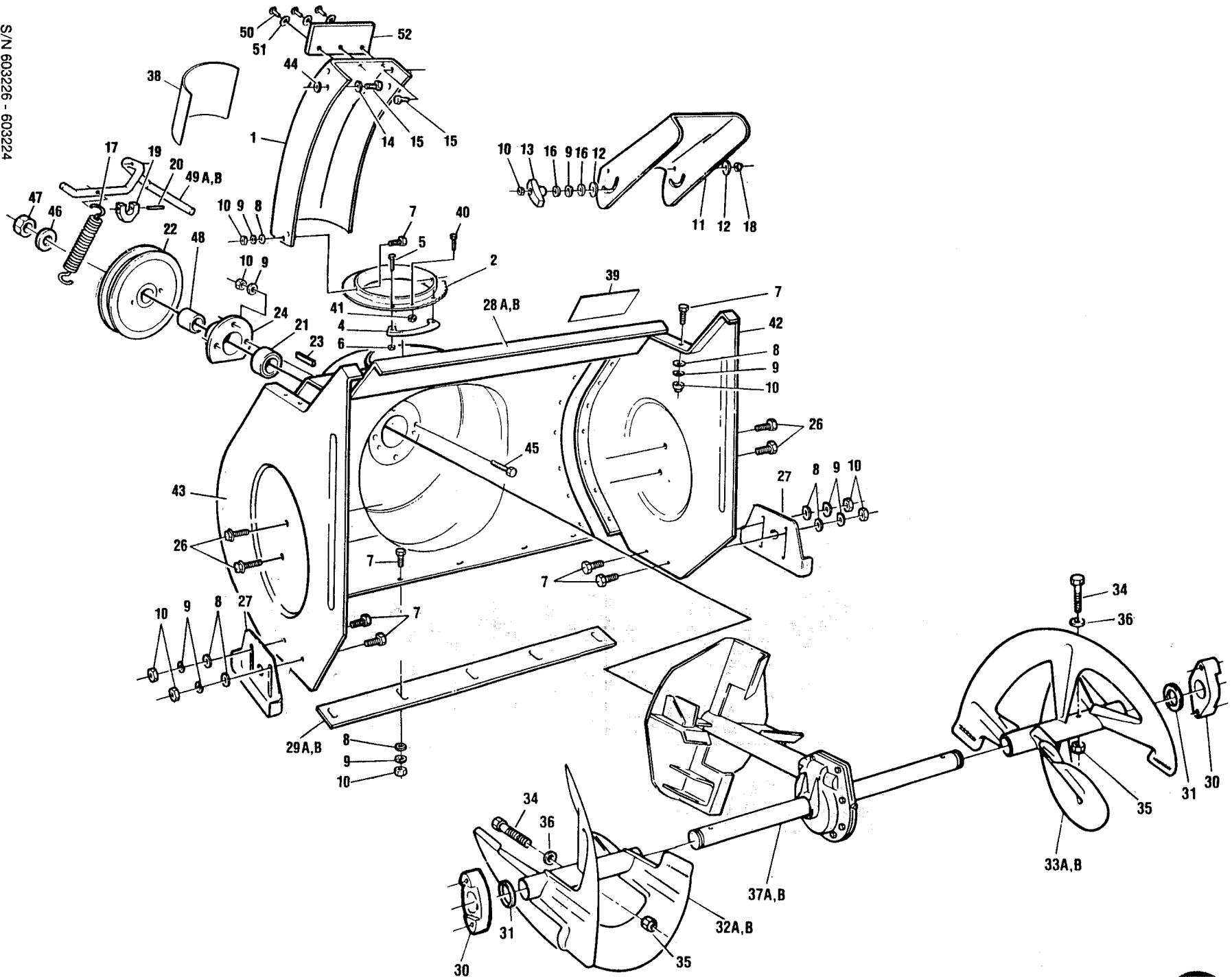
MODEL: A5240M - SC5240M - A8270M - SC8270M
 5 HP 24" DUAL-STAGE SNOWTHROWER
 8 HP 27" DUAL-STAGE SNOWTHROWER

S/N 603226 - 603224
 603218 - 603228
 O/M 690196

MODEL: A5240M - SC5240M - A8270M - SC8270M
 5 HP 24" DUAL-STAGE SNOWTHROWER
 8 HP 27" DUAL-STAGE SNOWTHROWER

Ref. No.	Part No.	Description	Ref. No.	Part No.	Description
1A		5 HP engine	50	709238	Speed select lever
1B		8 HP engine	51	382162	Plastic bushing
2	615831	5/16-18 x 1.25 bolt	52	310011	3/8-16 center locknut
3	311118	5/16 lockwasher	53A	709121	Jack shaft (model SC 5240, A 5240)
4A	709253	Motor mount (model SC 5240, A 5240)	53B	709609	Jack shaft (model SC 8270, A 8270)
4B	709602	Motor mount (model SC 8270, A 8270)	54A	709089	Chain 420 x 41P (model SC 5240, A 5240)
5	709261	Belt cover	54B	709611	Chain 420 x 41P (model SC 8270, A 8270)
6	153007	1/4-20 x 1/2 self tap	55	707737	Bearing
7	715300	1/4 flat washer	56	315085	5/16-18 x 1/2 self tapping screw
8	709279	Bottom panel	57	707141	Friction wheel
9	153205	Push nut	58	449587	1/4-20 x 5/8 bolt GR5
10	672261	Plastic bushing	59	709220	Friction wheel hub
11	382721	Cable eye lever	60	310052	1/4-20 hex nut
12	153106	Roll pin	61	382739	Washer
13	709105	Auger clutch cable lever	62	662833	Trunion bearing
14	709188	Auger clutch assy.	63	153155	Trunion washer
15A	709170	Axle (model SC 5240, A 5240)	64	153262	1-1/4 retainer ring
15B	709606	Axle (model SC 8270, A 8270)	65	709246	Hex shaft
16	709071	Spool	66	382671	Retainer ring
17	450379	1/4-20 x 1-3/4 bolt	67	709287	Friction disc
18	150391	1/4-20 Nylock nut	68	709162	Traction shaft
19	709063	Belt guide	69	317016	1/8 x 1 cotter pin
20	382689	5/16-24 x 5/8 bolt	70	709147	Traction spring lever
21	153015	3/8-16 x 1-1/4 bolt	71	449587	1/4-20 x 5/8 bolt
22	709097	Idler lever	72	662858	Clutch spring return
23	170530	Idler pulley	73	709295	Traction hex shaft
24	159657	3/8-16 jam nut	74	382788	Washer
25	310151	5/16-18 Nylock nut	75	708982	Ball bearing
26	382754	Bushing idler lever	76	380113	Shear bolt
27	153247	5/16 x 1-1/4 flat washer	77	616375	1/4-20 locknut
28	450346	5/16-18 x 3/4 bolt	78	708784	Wheel bushing
29	775718	Idler spring	79A	709607	13 x 5.00 - 6 wheel (HOG) (model SC 5240, A 5240)
30	709055	Traction pulley	79B	709610	4.80 x 4.00 wheel (HOG) (model SC 8270, A 8270)
31	382713	Crankshaft washer	80	708156	3/4 x 1-1/8 washer
32	382747	Pulley spacer	81	709311	Axle bearing
33	709147	Traction belt	82	663476	Retainer ring
34	709212	Traction pulley	83A	709329	Sprocket 35T (model SC 5240, A 5240)
35	382211	Wave washer	83B	709612	Sprocket 37T (model SC 8270, A 8270)
36	382697	1/4 x 1 flat washer	84	153148	1/4-20 x 2-1/4 bolt
37	715094	1/4 split lockwasher	85	312082	5/16 - 18 x 1/2 bolt
38	382705	1/4-20 x 5/8 bolt	86	153619	Click pin
39	382796	3/16 square key	87	630111	(Not shown) electric start model 5240)
40	715417	3/8 flat washer	88	409375	(Not shown) electric start model 8270)
41	616375	1/4-20 lock nut			
42	709196	Cam brake arm			
43	715185	5/16 flat washer			
44	150011	1/4-20 x 5/8 carr. bolt			
45A	707620	Auger belt (model SC 5240, A 5240)			
45B	709608	Auger belt (model SC 8270, A 8270)			
46	170910	Engine pulley			
47	153031	3/8 x 1-1/4 flat washer			
48	153023	3/8 split lockwasher			
49	312363	3/8-24 x 1 bolt			

MODEL: A5240M - SC5240M - A8270M - SC8270M
5 HP 24" DUAL-STAGE SNOWTHROWER
8 HP 27" DUAL-STAGE SNOWTHROWER



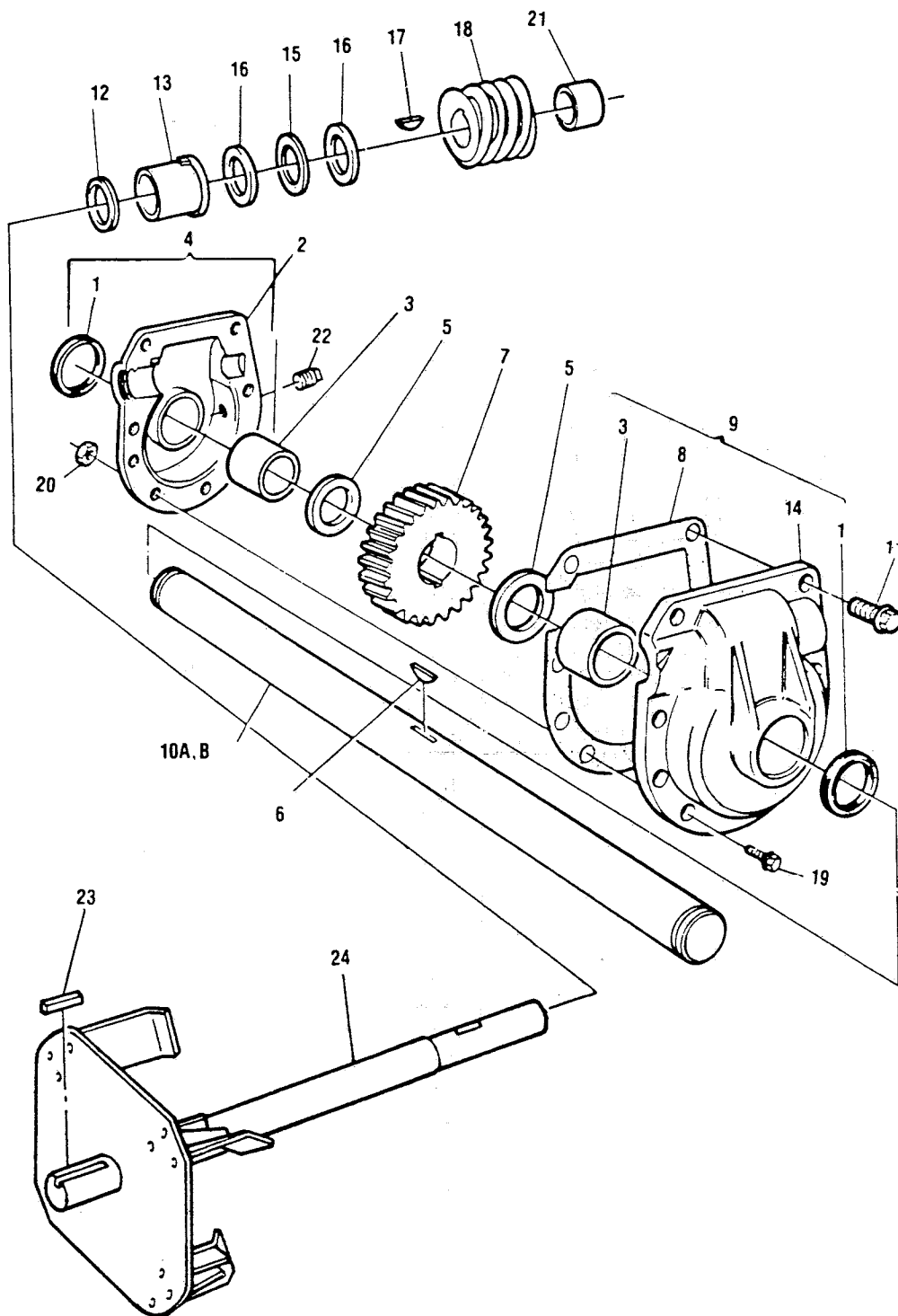
S/N 603226 - 603224
603218 - 603228
O/M 690196

**MODEL: A5240M - SC5240M - A8270M - SC8270M
5 HP 24" DUAL-STAGE SNOWTHROWER
8 HP 27" DUAL-STAGE SNOWTHROWER**

Reference No.	Part No.	Description
1	709588	Chute extension
2	709589	Flange
4	709590	Retainer
5	458232	8-32 x 1/2 bolt
6	154096	8-32 locknut
7	313510	5/16-18 x 3/4 carriage bolt
8	715185	5/16 flat washer
9	311118	5/16 lockwasher
10	310045	5/16 hex nut
11	709591	Chute deflector
12	672972	Plastic washer
13	673509	Wing knob
14	461996	7/16 flat washer
15	313502	5/16-18 x 1 carriage bolt
16	715417	3/8 flat washer
17	709527	Return spring
18	310151	5/16-18 locknut
19	709519	Pad, auger impeller brake
20	153106	5/32 x 7/8 roll pin
21	708982	Ball, bearing
22	709360	Auger pulley 6.5"
23	446583	3/16 key
24	667816	Retainer, bearing
25	666677	Wire chute hinge
26	457523	5/16-18 x 3/4 self tapping screw
27	662569	Height adjustor
28A	709592	Auger housing 24"
28B	709593	Auger housing 27"
29A	709594	24" scraper bar
29B	709595	27" scraper bar
30	707661	Bushing auger shaft
31	153387	Washer
32A	709596	24" serrated auger R.H.
32B	709598	27" serrated auger R.H.
33A	709597	24" serrated auger L.H.
33B	709599	27" serrated auger L.H.
34	708206	1/4-20 x 1-3/4 bolt
35	152967	1/4-20 locknut
36	672980	Spacer
37A	709600	24" gear box assembly
37B	709601	27" gear box assembly
38	677690	Decal - Danger
39	677682	Decal - Danger
40	150169	1/4-20 x 1 bolt
41	452615	1/4-20 locknut
42	709477	Side plate L.H.
43	709485	Side plate R.H.
44	380097	Plastic washer
45	312074	5/16 - 18 x 5/8 Bolt GR2
46	460824	1/2 washer
47	616375	1/2 - 20 locknut
48	709493	Spacer impeller
49A	709501	Rod, brake arm (model SC 5240, A 5240)
49B	709555	Rod, brake arm (model SC 8270, A 8270)
50	707935	6/16 rivet
51	462424	#10 flat washer
52	707927	Skirt

S/N 603226 - 603224
603218 - 603228
O/M 690196

**MODEL: A5240M - SC5240M - A8270M - SC8270M
 5 HP 24" DUAL-STAGE SNOWTHROWER
 8 HP 27" DUAL-STAGE SNOWTHROWER**



S/N 603226 - 603224
 603218 - 603228
 O/M 690196

MODEL: A5240M - SC5240M - A8270M - SC8270M
 5 HP 24" DUAL-STAGE SNOWTHROWER
 8 HP 27" DUAL-STAGE SNOWTHROWER

Reference No.	Part No.	Description
1	707471	Seal
2	707547	Housing L.H.
3	707463	Bearing
4	707455	Housing assembly L.H.
5	707430	Race thrust
6	153353	Key Woodruff #91
7	707422	Worm gear
8	707448	Gasket
9	707489	Housing assembly R.H.
10A	709603	27" auger shaft
10B	709604	24" auger shaft
11	153361	5/16-24 x 1-1/2 bolt
12	153346	Ring quad
13	583126	Bearing impeller shaft
14	707539	Housing R.H.
15	707562	Bearing needle
16	612861	Race thrust
17	153080	Key 3/16"
18	707513	Worm
19	153064	5/16-24 x 1 bolt
20	153189	5/16-24 flange locknut
21	707505	Bearing impeller shaft
22	153288	Grease plug
23	446583	3/16" key
24	709605	Impeller shaft assy.
	709600	24" gear box assembly (complete)
	709601	27" gear box assembly (complete)