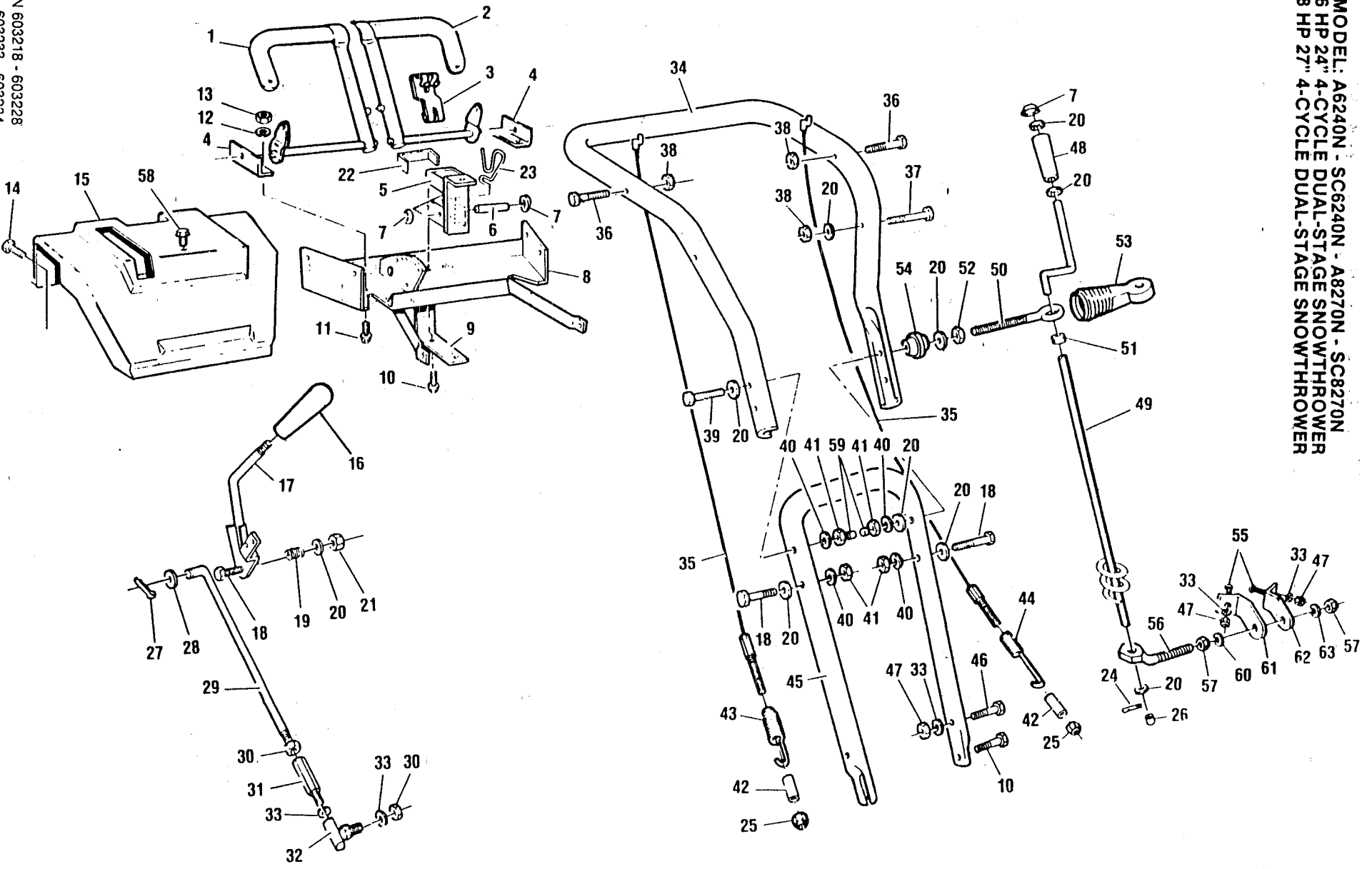


MODEL: A6240N - SC6240N - A8270N - SC8270N  
 6 HP 24" 4-CYCLE DUAL-STAGE SNOWTHROWER  
 8 HP 27" 4-CYCLE DUAL-STAGE SNOWTHROWER

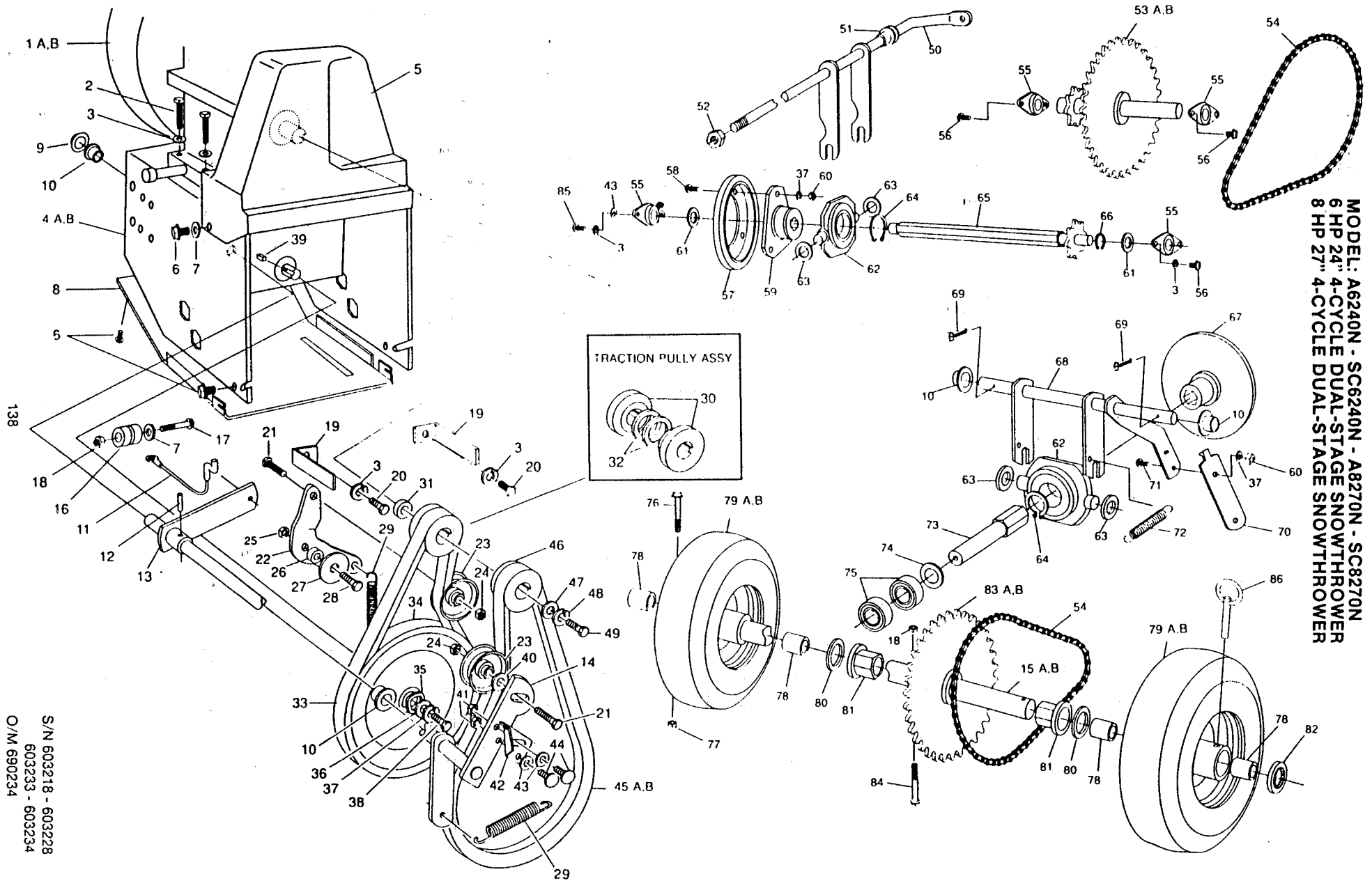


S/N 603218 - 603228  
 603233 - 603234  
 O/M 690234

**MODEL: A6240N - SC6240N - A8270N - SC8270N  
6 HP 24" 4-CYCLE DUAL-STAGE SNOWTHROWER  
8 HP 27" 4-CYCLE DUAL-STAGE SNOWTHROWER**

Ref. No.	Part No.	Description	Ref. No.	Part No.	Description
1	664722	Clutch handle R.H.	37	460311	5/16-18 x 1-3/4 bolt
2	664730	Cluth handle L.H.	38	310151	5/16-18 locknut
3	713180	Cam lock	39	456780	3/8-16 x 2-1/2 bolt
4	657361	Clutch handle bracket	40	150185	3/8 lockwasher
5	666644	Bracket light	41	715391	3/8-16 hex nut
6	657411	Pin latch	42	657270	Spacer
7	380295	3/8 cap retainer	43	645622	Spring auger clutch
8	664789	Console bracket standard	44	709303	Spring drive clutch
9	657312	Bracket console support	45	657247	Lower handle
10	315085	5/16-18 x 1/2 self tapping screw	46	450346	5/16-18 x 3/4 bolt
11	457044	1/4-20 x 1/2 bolt	47	310045	5/16-18 hex nut
12	715094	1/4 lockwasher	48	696092	Handle crank
13	310052	1/4-20 hex nut	49	663278	Crank
14	153007	1/4-20 x 1/2 self tapping screw	50	458984	3/8 eye bolt
15	673491	Console standard (without remote chute)	51	672220	Grommett
16	744243	Control knob	52	715524	3/8-16 jam nut
17	657288	Speed control lever	53	658049	Boot, eye bolt
18	312322	3/8-16 x 1-3/4 bolt	54	658050	Adaptor. boot
19	645630	Spring	55	313510	5/16-18 x 3/4 carriage bolt
20	715417	3/8 flat washer	56	697680	Rod chute control
21	451195	3/8-16 locknut	57	157339	1/2-20 jam nut
22	673483	Rubber pad	58	457523	5/16-18 x 3/4 self tapping screw
23	666651	Spring cam assist	59	672964	Plastic stop
24	151472	3/32 x 1 cotter pin	60	311035	1/2 lockwasher
25	150391	1/4 x 20 locknut	61	697664	Bracket chute rotate L.H.
26	672956	Plastic cap	62	612150	Bracket chute rotate R.H.
27	715029	3/32 x 3/4 cotter pin	63	690199	Decal - neutral (not shown)
28	715185	5/16 flat washer	64	690200	Decal - Gear selector (not shown)
29	657296	Rod speed control	65	690201	Decal - Auger drive (not shown)
30	157974	5/16-24 hex nut	66	690198	Decal - Traction drive (not shown)
31	664763	Adaptor	67	690227	Decal - Panel atlas 8/27
32	707372	Ball joint	68	690228	Decal - Panel Snowchief 8/27
33	311118	5/16 lockwasher		630160	(Not shown) Light kit Model 8270 w/o alt.
34	697656	Upper handle		630137	Model 8270 with alt.
35	645614	Clutch cable			
36	150250	5/16-18 x 1-1/2 bolt			

S/N 603218 - 603228  
603233 - 603234  
O/M 690234



MODEL: A6240N - SC6240N - A8270N - SC8270N  
 6 HP 24" 4-CYCLE DUAL-STAGE SNOWTHROWER  
 8 HP 27" 4-CYCLE DUAL-STAGE SNOWTHROWER

S/N 603218 - 603228  
 603233 - 603234  
 O/M 690234

**MODEL: A6240N - SC6240N - A8270N - SC8270N  
6 HP 24" 4-CYCLE DUAL-STAGE SNOWTHROWER  
8 HP 27" 4-CYCLE DUAL-STAGE SNOWTHROWER**

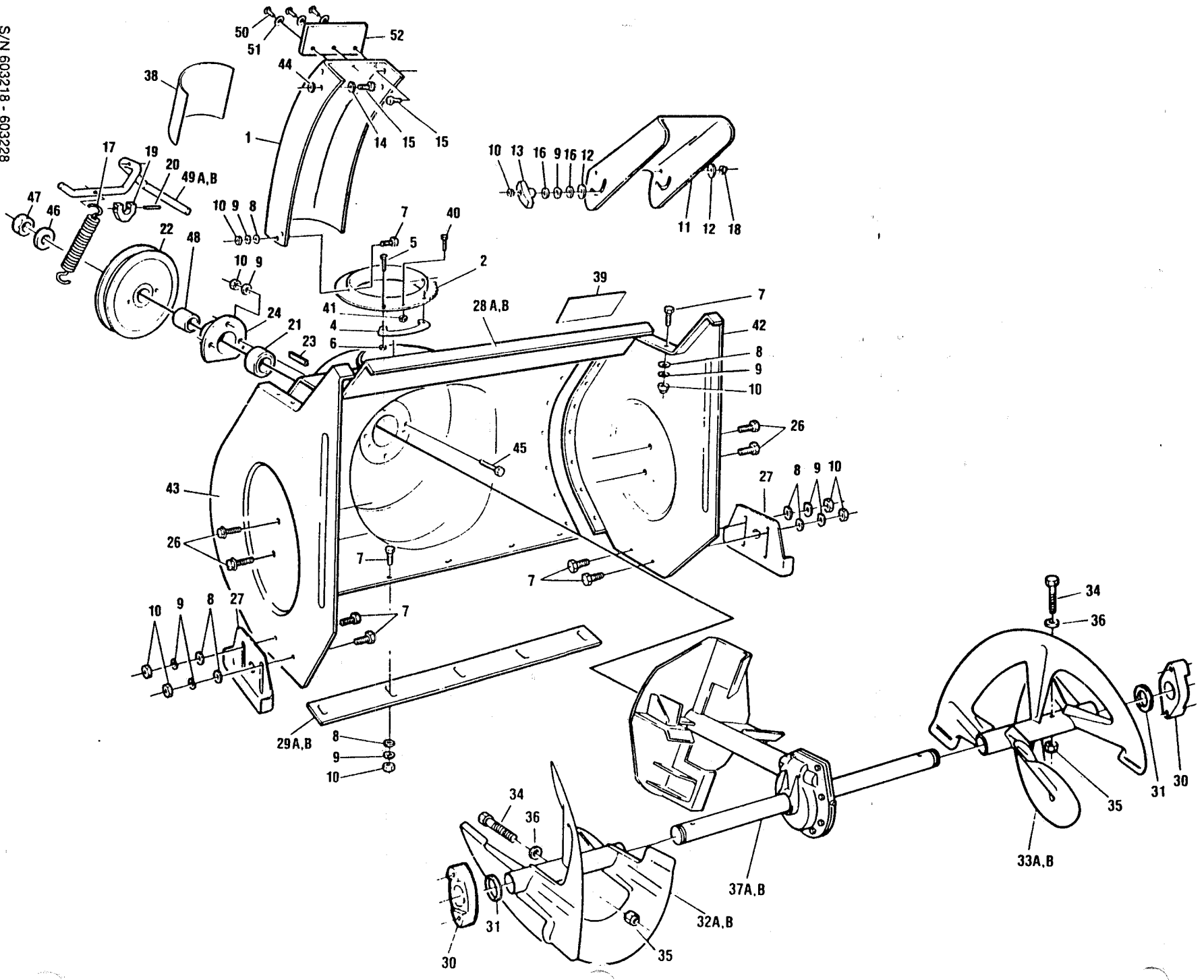
Ref. No.	Part No.	Description	Ref. No.	Part No.	Description
1A		6 HP engine	50	709238	Speed select lever
1B		8 HP engine	51	382762	Plastic bushing
2	150250	5/16-18 x 1.5 bolt	52	310011	3/8-16 center locknut
3	311118	5/16 lockwasher	53A	709121	Jack shaft (model SC 6240, A 6240)
4A	709253	Motor mount (model SC 6240, A 6240)	53B	709609	Jack shaft (model SC 8270, A 8270)
4B	709602	Motor mount (model SC 8270, A 8270)	54	709089	Chain 420 x 40P (model SC 6240, A 6240)
5	709261	Belt cover	55	707737	Bearing - Drive bushing (4)
6	153007	1/4-20 x 1/2 self tap	56	315085	5/16-18 x 1/2 self tapping screw
7	715300	1/4 flat washer	57	707141	Friction wheel
8	709279	Bottom panel	58	709570	1/4-20 x 5/8 bolt GR2
9	153205	Push nut	59	709220	Friction wheel hub
10	672261	Plastic bushing	60	310052	1/4-20 hex nut
11	382721	Cable eye lever	61	382739	Washer .500 x .750
12	153106	Roll pin	62	662833	Trunion bearing
13	709105	Auger clutch cable lever	63	153155	Trunion washer
14	709188	Auger clutch assy.	64	153262	1-1/4 retainer ring
15A	709170	Axle (model SC 6240, A 6240)	65	709246	Hex shaft
15B	709606	Axle (model SC 8270, A 8270)	66	382671	Retainer ring
16	709071	Spool	67	709287	Friction disc
17	450379	1/4-20 x 1-3/4 bolt	68	709162	Traction shaft
18	150391	1/4-20 Nylock nut	69	317016	1/8 x 1 cotter pin
19	662643	Belt guide	70	709154	Traction spring lever
20	382689	5/16-24 x 5/8 bolt	71	709570	1/4-20 x 5/8 bolt
21	153015	3/8-16 x 1-1/4 bolt	72	662858	Clutch spring return
22	709097	Idler lever	73	709295	Traction hex shaft
23	170530	Idler pulley	74	382788	Washer
24	159657	3/8-16 jam nut	75	708982	Ball bearing
25	310151	5/16-18 Nylock nut	76	380113	Shear bolt
26	382754	Bushing idler lever	77	616375	1/4-20 locknut
27	153247	5/16 x 1-1/4 flat washer	78	708784	Wheel bushing
28	450346	5/16-18 x 3/4 bolt	79A	043228	13 x 5.00 - 6 wheel (HOG) (model SC 6240, A 6240)
29	775718	Idler spring	79B	043229	4.80 x 4.00 wheel (HOG) (model SC 8270, A 8270)
30	709055	Traction pulley	80	708156	3/4 x 1-1/8 washer
31	153239	Crankshaft washer	81	709311	Axle bearing
32	382747	Pulley spacer	82	663476	Retainer ring
33	709147	Traction belt	83A	709329	Sprocket 35T (model SC 6240, A 6240)
34	709212	Traction pulley	83B	709612	Sprocket 37T (model SC 8270, A 8270)
35	382770	Wave washer	84	153148	1/4-20 x 2-1/4 bolt
36	382697	1/4 x 1 flat washer	85	312082	5/16 - 18 x 1/2 bolt
37	715094	1/4 split lockwasher	86	153619	Click pin
38	382705	1/4-20 x 5/8 bolt	87	215996	(Not shown) electric start model 6240
39	382796	3/16 square key	88	630129	(Not shown) electric start model 8270
40	715417	3/8 flat washer	89	690220	Decal - Free impeller (not shown)
41	709546	1/4-20 lock nut	90	690221	Decal - Disc adjustment (not shown)
42	709196	Cam brake arm	91	690225	Decal - Belt stretch (not shown)
43	715185	5/16 flat washer			
44	150011	1/4-20 x 5/8 carr. bolt			
45A	707620	Auger belt (model SC 6240, A 6240)			
45B	709568	Auger belt (model SC 8270, A 8270)			
46	170910	Engine pulley			
47	153031	3/8 x 1-1/4 flat washer			
48	153023	3/8 split lockwasher			
49	312363	3/8-24 x 1 bolt			

S/N 603218 - 603228

603233 - 603234

O/M 690234

MODEL: A6240N - SC6240N - A8270N - SC8270N  
6 HP 24" 4-CYCLE DUAL-STAGE SNOWTHROWER  
8 HP 27" 4-CYCLE DUAL-STAGE SNOWTHROWER



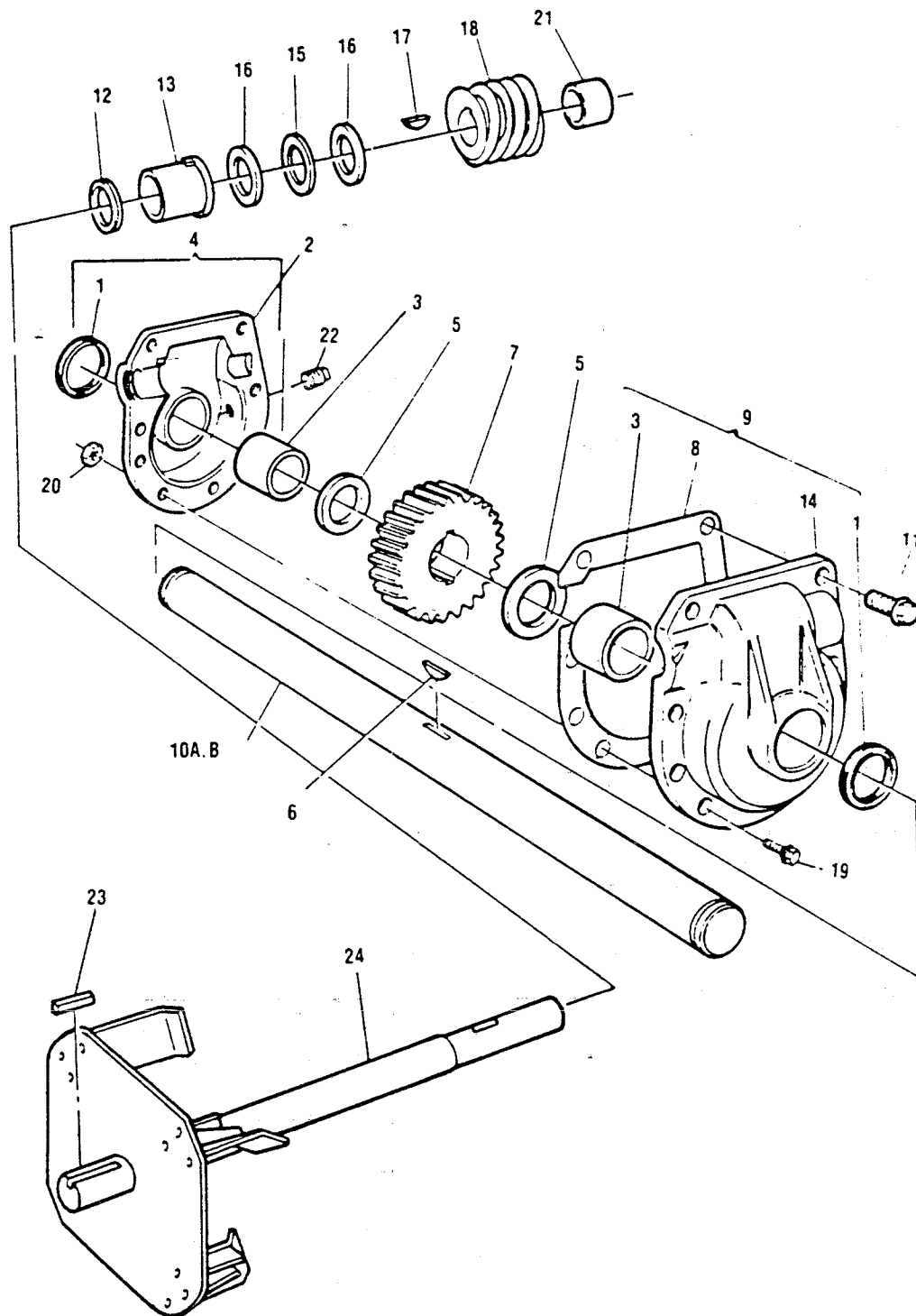
S/N 603218 - 603228  
603233 - 603234  
O/M 690234

**MODEL: A6240N - SC6240N - A8270N - SC8270N  
6 HP 24" 4-CYCLE DUAL-STAGE SNOWTHROWER  
8 HP 27" 4-CYCLE DUAL-STAGE SNOWTHROWER**

Ref. No.	Part No.	Description	Ref. No.	Part No.	Description
1	709588	Chute extension	41	452615	1/4-20 locknut
2	709589	Flange	42	709477	Side plate L.H.
4	709590	Retainer	43	709485	Side plate R.H.
5	458232	8-32 x 1/2 bolt	44	380097	Plastic washer
6	154096	8-32 locknut	45	450437	5/16 - 18 x 5/8 Bolt GR2
7	313510	5/16-18 x 3/4 carriage bolt	46	460824	1/2 washer
8	715185	5/16 flat washer	47	616375	1/2 - 20 locknut
9	311118	5/16 lockwasher	48	667866	Spacer impeller
10	310045	5/16 hex nut	49A	709501	Rod, brake arm (model SC 5240. A 5240)
11	709591	Chute deflector	49B	709555	Rod, brake arm (model SC 8270. A 8270)
12	672972	Plastic washer	50	707935	6/16 rivet
13	673509	Wing knob	51	462424	#10 flat washer
14	461996	7/16 flat washer	52	707927	Skirt
15	313502	5/16-18 x 1 carriage bolt	53	690229	Decal - Auger housing Snowchief (not shown)
16	715417	3/8 flat washer	54	690226	Decal - Auger housing Atlas (not shown)
17	709527	Return spring			
18	310151	5/16-18 locknut			
19	709519	Pad, auger impeller brake			
20	153106	5/32 x 7/8 roll pin			
21	708982	Ball, bearing			
22	709360	Auger pulley 6 5"			
23	446583	3/16 key			
24	667816	Retainer, bearing			
25	666677	Wire chute hinge			
26	457523	5/16-18 x 3/4 self tapping screw			
27	662569	Height adjustor			
28A	709592	Auger housing 24"			
28B	709593	Auger housing 27"			
29A	709594	24" scraper bar			
29B	709595	27" scraper bar			
30	707661	Bushing auger shaft			
31	153387	Washer			
32A	709596	24" serrated auger R.H.			
32B	709598	27" serrated auger R.H.			
33A	709597	24" serrated auger L.H.			
33B	709599	27" serrated auger L.H.			
34	708206	1/4-20 x 1-3/4 bolt			
35	616375	1/4-20 locknut			
36	672980	Spacer			
37A	709600	24" gear box assembly			
37B	709601	27" gear box assembly			
38	677690	Decal - Danger			
39	677682	Decal - Danger			
40	150169	1/4-20 x 1 bolt			

S/N 603218 - 603228  
603233 - 603234  
O/M 690234

MODEL: A6240N - SC6240N - A8270N - SC8270N  
6 HP 24" 4-CYCLE DUAL-STAGE SNOWTHROWER  
8 HP 27" 4-CYCLE DUAL-STAGE SNOWTHROWER



MODEL: A6240N - SC6240N - A8270N - SC8270N  
 6 HP 24" 4-CYCLE DUAL-STAGE SNOWTHROWER  
 8 HP 27" 4-CYCLE DUAL-STAGE SNOWTHROWER

Reference No.	Part No.	Description
1	707471	Seal
2	707547	Housing L.H.
3	707463	Bearing
4	707455	Housing assembly L.H.
5	707430	Race thrust
6	153353	Key Woodruff #91
7	707422	Worm gear
8	707448	Gasket
9	707489	Housing assembly R.H.
10A	709603	27" auger shaft
10B	709604	24" auger shaft
11	153361	5/16-24 x 1-1/2 bolt
12	153346	Ring quad
13	709006	Bearing impeller shaft
14	707539	Housing R.H.
15	707562	Bearing needle
16	612861	Race thrust
17	153080	Key 3/16"
18	707513	Worm
19	153064	5/16-24 x 1 bolt
20	153189	5/16-24 flange locknut
21	707505	Bearing impeller shaft
22	153288	Grease plug
23	446583	3/16" key
24	709605	Impeller shaft assy.
	709600	24" gear box assembly (complete)
	709601	27" gear box assembly (complete)

S/N 603218 - 603228  
 603233 - 603234  
 O/M 690234