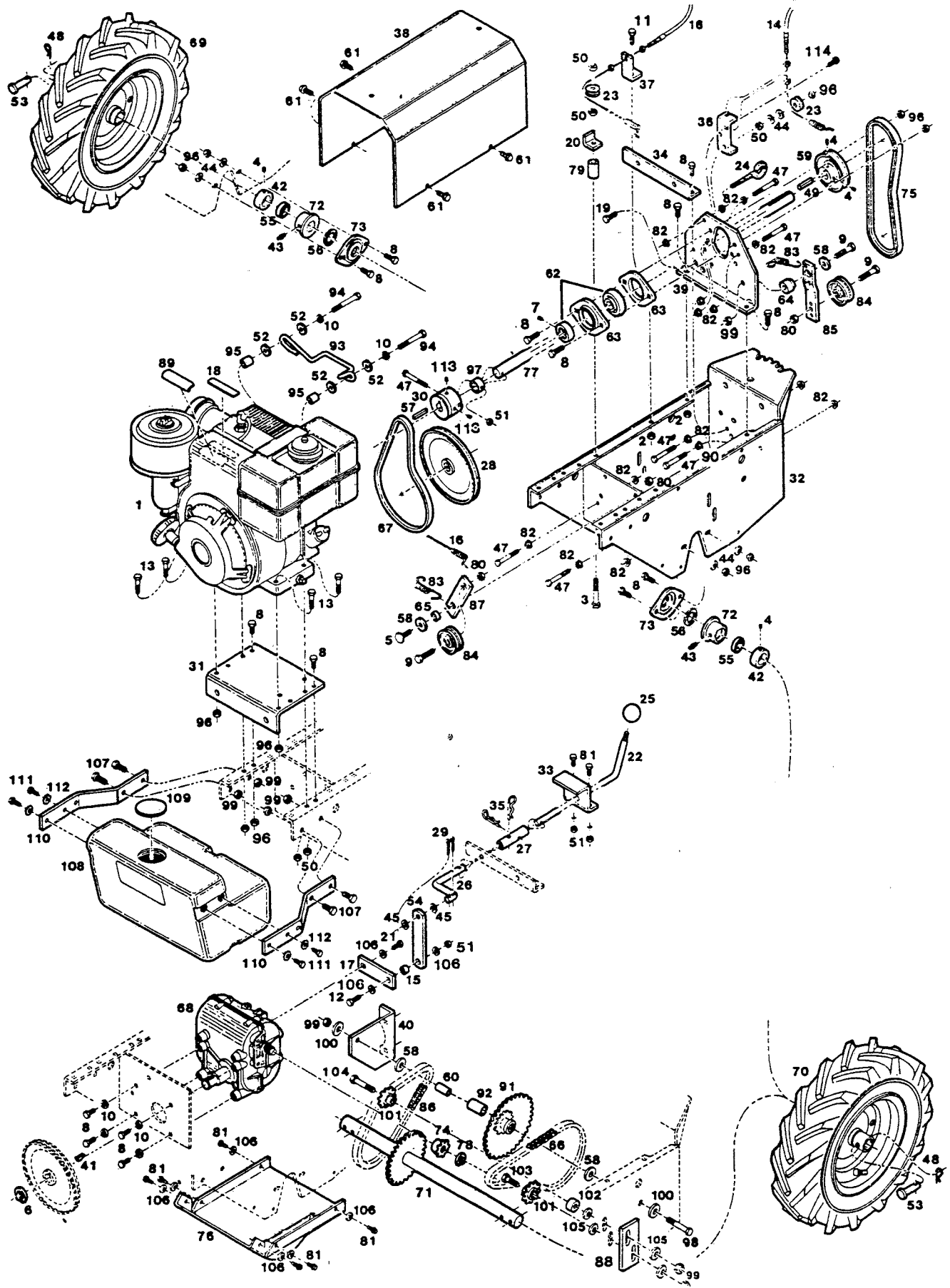


**MODEL A8000K  
8 H.P. COUNTER-ROTATING REAR TINE TILLER  
WITH REVERSE**

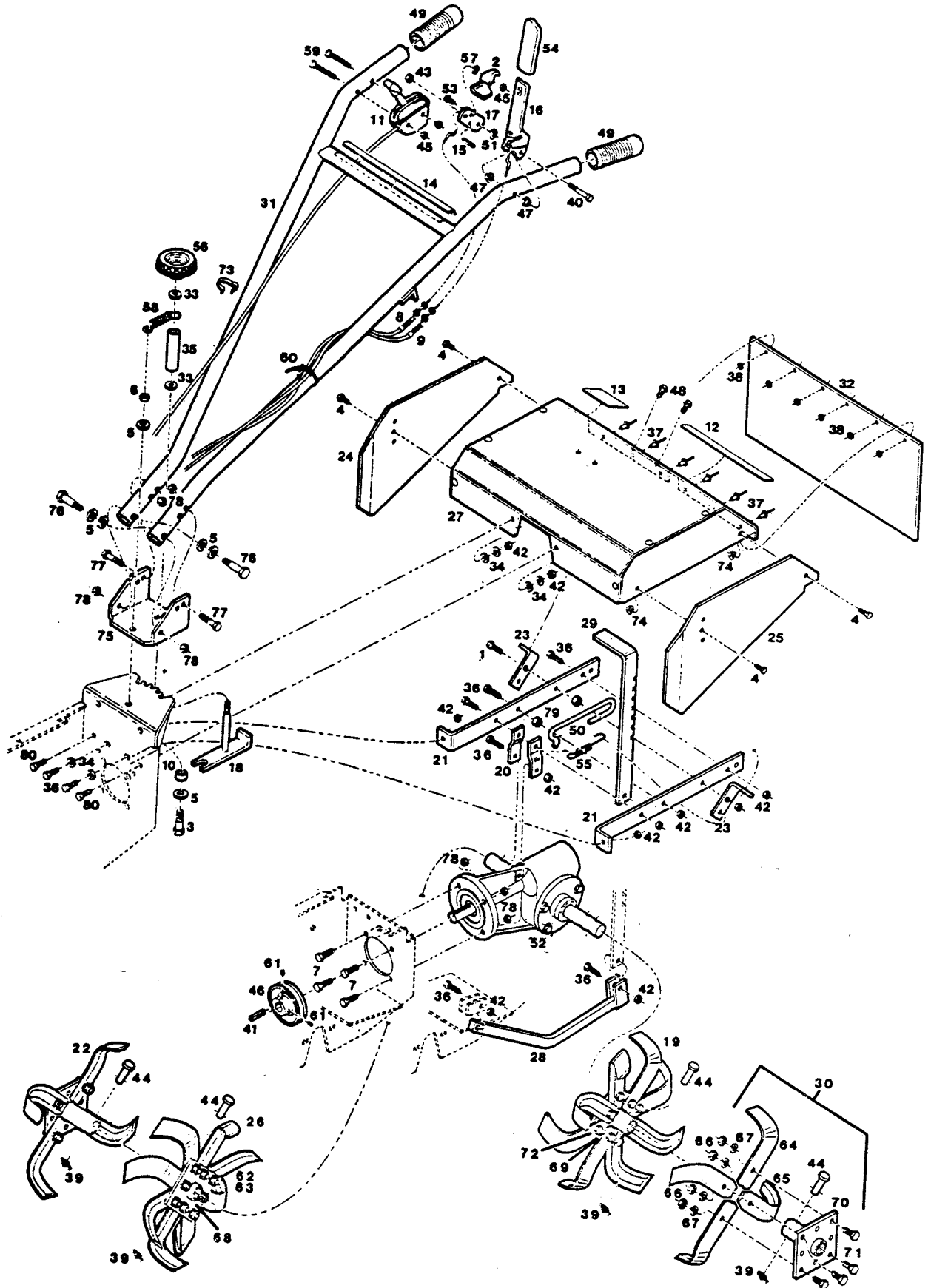


**MODEL A8000K  
8 H.P. COUNTER-ROTATING REAR TINE TILLER  
WITH REVERSE**

| Index No. | Part No. | Description                        | Index No. | Part No. | Description                                                                           |
|-----------|----------|------------------------------------|-----------|----------|---------------------------------------------------------------------------------------|
| 1         | *        | Engine - 8 H.P.                    | 61        | 617514   | Bolt - hex self tap 5/16-18 x 5/8                                                     |
| 2         | 157610   | Nut - hex lock 5/16-18 flange      | 62        | 617795   | Bearing - drive shaft                                                                 |
| 3         | 623439   | Bolt - hex 5/16-18 x 2-1/2         | 63        | 617811   | Flange - bearing retainer                                                             |
| 4         | 315093   | Set screw 5/16-18 x 1/4            | 64        | 617878   | Bushing - pilot, idler arm                                                            |
| 5         | 154369   | Bolt - hex shoulder 3/8-16 x 1-1/4 | 65        | 617886   | Bushing - idler arm                                                                   |
| 6         | 159285   | Ring - retaining                   | 66        | 584144   | Chain - drive 54 links                                                                |
| 7         | 157305   | Set screw 1/4-20 x 1/4             | 67        | 136028   | Belt - wheel drive                                                                    |
| 8         | 450346   | Bolt - hex 5/16-18 x 3/4           | 68        | 171447** | Transmission - wheel drive<br>(Tecumseh/Peerless Model 700-033)<br>Includes 74 and 78 |
| 9         | 159020   | Bolt - hex 3/8-16 x 1-1/2          | 69        | 622118   | Wheel - drive, w/tire RH                                                              |
| 10        | 311118   | Washer - split lock 5/16           | 70        | 622128   | Wheel - drive, w/tire LH                                                              |
| 11        | 152108   | Bolt - hex 5/16-18 x 1             | 71        | 591800   | Axle - drive wheels w/sprocket                                                        |
| 12        | 158972   | Bolt - hex 1/4-20 x 1              | 72        | 584227   | Bearing - axle                                                                        |
| 13        | 460311   | Bolt - hex 5/16-18 x 1-3/4         | 73        | 558023   | Flange - bearing retainer                                                             |
| 14        | 530493   | Cable - engaging, tine drive       | 74        | 620021   | Sprocket - axle drive                                                                 |
| 15        | 467829   | Bushing - arm                      | 75        | 584425   | Belt - tine drive                                                                     |
| 16        | 530501   | Cable - engaging, ground drive     | 76        | 552836   | Shield - dirt                                                                         |
| 17        | 558189   | Lever - shift on transmission      | 77        | 623181   | Shaft - drive, tiller tines                                                           |
| 18        | 551713   | Decal - Place Free Hand Here       | 78        | 620807   | Ring - retaining                                                                      |
| 19        | 380402   | Bolt - hex 5/16-18 x 1 1/2         | 79        | 156489   | Spacer - bracket                                                                      |
| 20        | 555318   | Bracket - angle                    | 80        | 624908   | Nut - hex lock 3/8-16                                                                 |
| 21        | 616144   | Bolt - hex 1/4-28 x 1/2            | 81        | 158089   | Screw - hex self tap 1/4-20 x 1/2                                                     |
| 22        | 098897   | Lever - shift                      | 82        | 715078   | Nut - hex 1/4-20 whiz flange                                                          |
| 23        | 112177   | Roller - cable                     | 83        | 584383   | Spring - idler                                                                        |
| 24        | 555359   | Guide - cable                      | 84        | 170530   | Pulley - idler                                                                        |
| 25        | 616359   | Knob - shift lever                 | 85        | 557579   | Arm - tine idler                                                                      |
| 26        | 557512   | Rod - shift                        | 86        | 584151   | Chain - drive 48 links                                                                |
| 27        | 557520   | Connector - shift rod/lever        | 87        | 558254   | Arm - drive idler                                                                     |
| 28        | 098863   | Pulley - wheel drive transmission  | 88        | 576025   | Plate-Idler back-up                                                                   |
| 29        | 317016   | Pin - cotter                       | 89        | 551846   | Decal - CAUTION Disengage                                                             |
| 30        | 098889   | Pulley - drive, on engine          | 90        | 155242   | Nut-hex jam 1/4-20                                                                    |
| 31        | 014639   | Plate - engine mount               | 91        | 434829   | Sprocket - idler                                                                      |
| 32        | 575332   | Frame - chassis                    | 92        | 423624   | Bearing - sprocket                                                                    |
| 33        | 558247   | Guide - shift lever                | 93        | 557553   | Keeper - belt, engine                                                                 |
| 34        | 558163   | Bracket - shift rod                | 94        | 158154   | Bolt - hex 5/16-18 x 2-3/4                                                            |
| 35        | 317040   | Hairpin Cotter                     | 95        | 469544   | Spacer - belt keeper                                                                  |
| 36        | 558148   | Support - cable                    | 96        | 715490   | Nut - hex top lock 5/16-18                                                            |
| 37        | 558155   | Bracket - cable                    | 97        | 557405   | Spacer - engine pulley                                                                |
| 38        | 014647   | Cover - belts and pulleys          | 98        | 456780   | Bolt - hex 3/8-16 x 2-1/2                                                             |
| 39        | 575670   | Support - rear bearing             | 99        | 715086   | Nut - hex lock 3/8-16                                                                 |
| 40        | 575183   | Bracket - idler sprocket           | 100       | 715417   | Washer 3/8 SAE                                                                        |
| 41        | 615534   | Key - woodruff #9                  | 101       | 584433   | Sprocket - idler                                                                      |
| 42        | 557447   | Collar - axle                      | 102       | 158394   | Spacer - upper sprocket                                                               |
| 43        | 624890   | Fitting - lubrication              | 103       | 159046   | Bolt - hex 3/8-16 x 1 3/4                                                             |
| 44        | 715185   | Washer - flat 5/16                 | 104       | 616003   | Bolt - hex 3/8-16 x 2-3/8                                                             |
| 45        | 159921   | Washer - flat 3/8                  | 105       | 156877   | Washer - flat 3/8                                                                     |
| 46        | 615831   | Bolt - hex 5/16-18 x 1-1/4         | 106       | 615690   | Washer - flat 1/4                                                                     |
| 47        | 616094   | Bolt - hex 1/4-20 x 2-1/2          | 107       | 715326   | Bolt - hex 3/8-16 x 1                                                                 |
| 48        | 715011   | Hairpin cotter                     | 108       | 584409   | Tank - front weight                                                                   |
| 49        | 382184   | Key - square 3/16 x 1-3/8          | 109       | 584417   | Cap - weight tank                                                                     |
| 50        | 616342   | Nut - hex lock 5/16-18             | 110       | 575340   | Bracket - weight tank                                                                 |
| 51        | 715508   | Nut - hex lock 1/4-20              | 111       | 159004   | Screw - hex 1/4-20 x 3/4                                                              |
| 52        | 616508   | Washer - flat                      | 112       | 461715   | Washer - ext tooth lock                                                               |
| 53        | 616532   | Pin - clevis                       | 113       | 159608   | Set screw 5/16-18 x 7/16                                                              |
| 54        | 558171   | Link - shifter                     | 114       | 450858   | Screw-hex self tap 1/4-20 x 3/4                                                       |
| 55        | 616565   | Seal - dust                        |           |          |                                                                                       |
| 56        | 584110   | Seal - felt ring                   |           |          |                                                                                       |
| 57        | 616284   | Key - square 1/4 x 2               |           |          |                                                                                       |
| 58        | 616854   | Washer - flat 3/8 special          |           |          |                                                                                       |
| 59        | 616870   | Pulley - drive, tine transmission  |           |          |                                                                                       |
| 60        | 432971   | Sleeve - sprocket bearing          |           |          |                                                                                       |

- \*Contact engine manufacturer's authorized service dealer for parts and warranty.
- When servicing use only **Genuine Factory Replacement Parts (OEM)** that are specifically designed for the particular model that you are working with
- Parts are right or left hand as viewed from the operator's position
- Model specifications are subject to change without prior notice.
- **Do not operate** the tiller unless all parts are attached and in good working order.
- Tiller tine cover, handle and/or other painted parts differing in color may be substituted without notice.

MODEL A8000K  
8 H.P. COUNTER-ROTATING REAR TINE TILLER  
WITH REVERSE



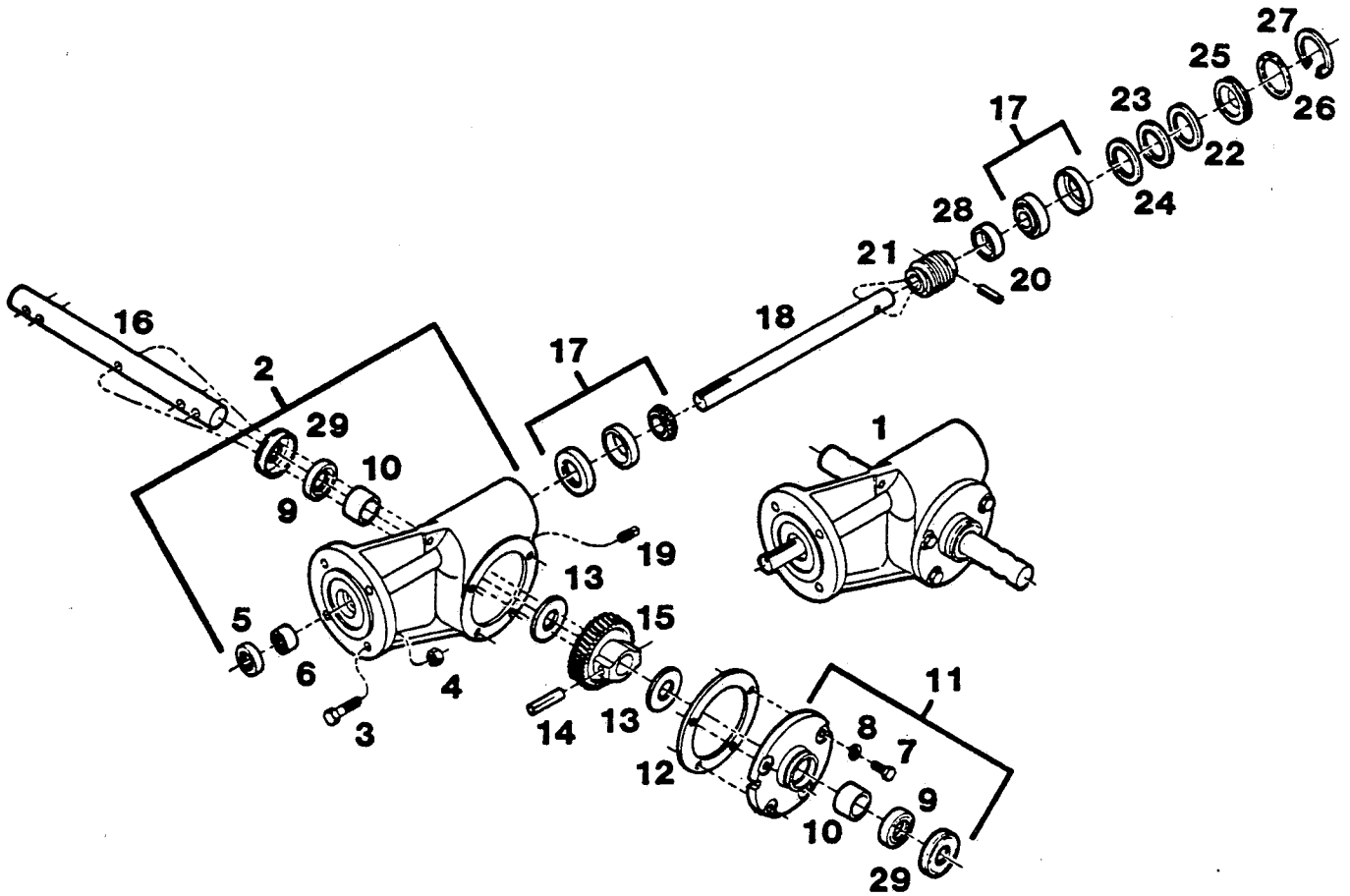
**MODEL A800K  
8 H.P. COUNTER-ROTATING REAR TINE TILLER  
WITH REVERSE**

| Index No. | Part No. | Description                       | Index No. | Part No. | Description                        |
|-----------|----------|-----------------------------------|-----------|----------|------------------------------------|
| 1         | 150250   | Bolt - hex 5/16-18 x 1-1/2        | 41        | 382184   | Key - square 3/16 x 1-3/8          |
| 2         | 558064   | Catch - tine clutch arm           | 42        | 616342   | Nut - hex lock 5/16-18             |
| 3         | 615922   | Bolt - hex 1/2-13 x 1-3/4         | 43        | 715508   | Nut - hex lock 1/4-20 top          |
| 4         | 158089   | Screw - hex self tap 1/4-20 x 1/2 | 44        | 616532   | Pin - clevis                       |
| 5         | 156075   | Washer - flat                     | 45        | 452318   | Nut - hex #10-24 nylock            |
| 6         | 616581   | Nut - hex lock 1/2-13             | 46        | 616870   | Pulley - drive, tine transmission  |
| 7         | 159020   | Bolt - hex 3/8-16 x 1-1/2         | 47        | 584375   | Bushing - nylon                    |
| 8         | 530493   | Cable - engaging, tine drive      | 48        | 617514   | Screw - tapping 5/16-18 x 5/8      |
| 9         | 530501   | Cable - engaging, ground drive    | 49        | 619221   | Grip - handle                      |
| 10        | 617787   | Spacer - latch                    | 50        | 620310   | Pusher - depth bar                 |
| 11        | 530451   | Control - throttle w/cable        | 51        | 156182   | Washer - plastic                   |
| 12        | 551648   | Decal - CAUTION                   | 52        | 592022   | Transmission - tine drive          |
| 13        | 551655   | Decal - WARNING                   | 53        | 155366   | Screw - hex #10-24 x 5/8           |
| 14        | 552885   | Decal - Grd Drive, Tine           | 54        | 622662   | Cover - clutch lever               |
| 15        | 380477   | Pin - roll                        | 55        | 584383   | Spring - depth bar                 |
| 16        | 558049   | Lever - clutch, ground drive      | 56        | 620195   | Knob - handle lock                 |
| 17        | 558080   | Arm - tine clutch                 | 57        | 154120   | Washer - nylon                     |
| 18        | 555615   | Pull Bar - handle latch           | 58        | 620203   | Spring - pull bar                  |
| 19        | 575266   | Tine Assembly LH inner            | 59        | 616052   | Screw - slotted hex #10-24 x 2-1/4 |
| 20        | 558098   | Bracket - transmission            | 60        | 621672   | Tie - cable                        |
| 21        | 571372   | Support - dirt shield             | 61        | 315093   | Set Screw 5/16-18 x 1/4            |
| 22        | 575639   | Tine Assembly RH outer            | 62        | 573006   | Tine - 11" RH                      |
| 23        | 558106   | Bracket - dirt shield             | 63        | 573022   | Tine - 11" LH                      |
| 24        | 571984   | Plate - side RH                   | 64        | 574756   | Tine - 13" RH                      |
| 25        | 571992   | Plate - side LH                   | 65        | 574764   | Tine - 13" LH                      |
| 26        | 575274   | Tine Assembly RH inner            | 66        | 615633   | Nut - hex 3/8-24                   |
| 27        | 575837   | Shield - dirt                     | 67        | 150185   | Washer - split lock 3/8            |
| 28        | 571679   | Bar - skid                        | 68        | 575969   | Hub - tines, short                 |
| 29        | 575704   | Bar - depth                       | 69        | 617787   | Spacer - tine                      |
| 30        | 575647   | Tine Assembly LH outer            | 70        | 575977   | Hub - tines, long                  |
| 31        | 576298   | Handle                            | 71        | 624940   | Bolt - hex 3/8-24 x 1 GR5          |
| 32        | 584359   | Flap - dirt                       | 72        | 157255   | Bolt - hex 3/8-24 x 1-1/4 GR5      |
| 33        | 715417   | Washer - flat 3/8                 | 73        | 621003   | Clip - throttle cable              |
| 34        | 715185   | Washer - flat 5/16                | 74        | 715078   | Nut - hex 1/4-20 flange            |
| 35        | 620187   | Spacer - pull bar pin             | 75        | 575696   | Bracket - handlebar                |
| 36        | 615831   | Bolt - hex 5/16-18 x 1-1/4        | 76        | 157495   | Bolt - shoulder 3/8-16 x 2 1/8     |
| 37        | 764225   | Pop Rivet                         | 77        | 312355   | Bolt - hex 3/8-16 x 2              |
| 38        | 382192   | Washer - flat                     | 78        | 715086   | Nut - hex 3/8-16 top lock          |
| 39        | 584391   | Hairpin Cotter                    | 79        | 310003   | Nut - hex 1/2-13                   |
| 40        | 615781   | Bolt - hex 1/4-20 x 2 1/4         | 80        | 152108   | Bolt - hex 5/18-18 x 1             |

\*Contact engine manufacturer's authorized service dealer for parts and warranty.

- When servicing use only **Genuine Factory Replacement Parts (OEM)** that are specifically designed for the particular model that you are working with
- Parts are right or left hand as viewed from the operator's position
- Model specifications are subject to change without prior notice.
- **Do not operate** the tiller unless all parts are attached and in good working order.
- Tiller tine cover, handle and/or other painted parts differing in color may be substituted without notice

**MODEL A800K  
8 H.P. COUNTER-ROTATING REAR TINE TILLER  
WITH REVERSE**



**MODEL A8000K  
8 H.P. COUNTER-ROTATING REAR TINE TILLER  
WITH REVERSE**

| <b>Index No.</b> | <b>Part No.</b> | <b>Description</b>                                                          |
|------------------|-----------------|-----------------------------------------------------------------------------|
| 1                | 592022          | Transmission assembly                                                       |
| 2                | 592378          | Case-transmission w/bmgs & seals<br>(includes one each of 5, 6, 9, 10 & 29) |
| 3                | 159020          | Bolt - hex 3/8-16 x 1-1/2                                                   |
| 4                | 715086          | Nut-hex lock 3/8-16                                                         |
| 5                | 616383          | Seal-oil, worm shaft                                                        |
| 6                | 616524          | Bearing-needle worm shaft                                                   |
| 7                | 617019          | Bolt - hex 5/16-18 x 7/8                                                    |
| 8                | 311118          | Washer-split lock 5/16                                                      |
| 9                | 616391          | Seal-oil, axle                                                              |
| 10               | 617241          | Bearing-needle, axle                                                        |
| 11               | 592386          | Cover-side w/ bmg & seals<br>(includes one each of 9, 10 and 29)            |
| 12               | 617035          | Gasket-cover                                                                |
| 13               | 616417          | Washer-thrust                                                               |
| 14               | 616466          | Pin-worm gear                                                               |
| 15               | 624452          | Gear-worm                                                                   |
| 16               | 617845          | Axle-tine                                                                   |
| 17               | 545582          | Bearing-worm shaft                                                          |
| 18               | 617084          | Shaft-worm                                                                  |
| 19               | 615500          | Plug-pipe                                                                   |
|                  | 616912          | Plug-breather                                                               |
| 20               | 155515          | Pin-roll 1/4 x 1-1/8                                                        |
| 21               | 624429          | Worm-drive                                                                  |
| 22               | 621334          | Shim .003 (as required)                                                     |
| 23               | 621342          | Shim .005 (as required)                                                     |
| 24               | 622506          | Shim .020 (as required)                                                     |
| 25               | 616433          | Plug-seal                                                                   |
| 26               | 616441          | O-ring                                                                      |
| 27               | 616425          | Ring-retainer                                                               |
| 28               | 623504          | Collar-worm                                                                 |
| 29               | 762245          | Cover-hub seal                                                              |

517037 SHIM KIT-Consists of (5) .005 thick shims. (1) .003 thick shim and (1) .020 thick shim. Worm shaft to be shimmed to 0 to .005 end play.

- Contact engine manufacturer's authorized service dealer for parts and warranty.
- When servicing use only **Genuine Factory Replacement Parts (OEM)** that are specifically designed for the particular model that you are working with.
- Parts are right or left hand as viewed from the operator's position.
- Model specifications are subject to change without prior notice.
- **Do not operate** the tiller unless all parts are attached and in good working order.
- Tiller tine cover, handle and/or other painted parts differing in color may be substituted without notice.