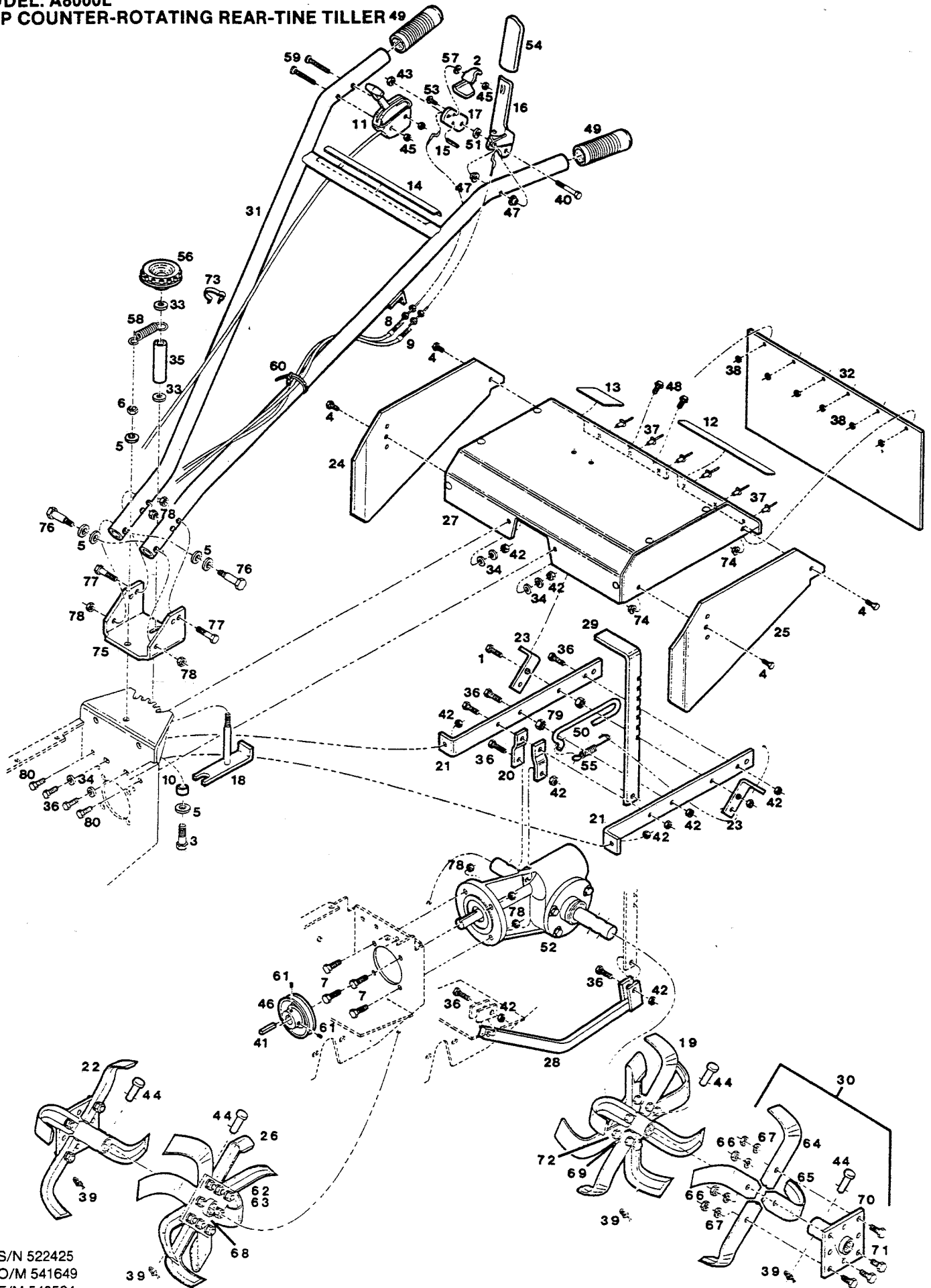


**MODEL: A8000L
8 HP COUNTER-ROTATING REAR-TINE TILLER 49**



S/N 522425
O/M 541649
E/M 540534
P/B 554626

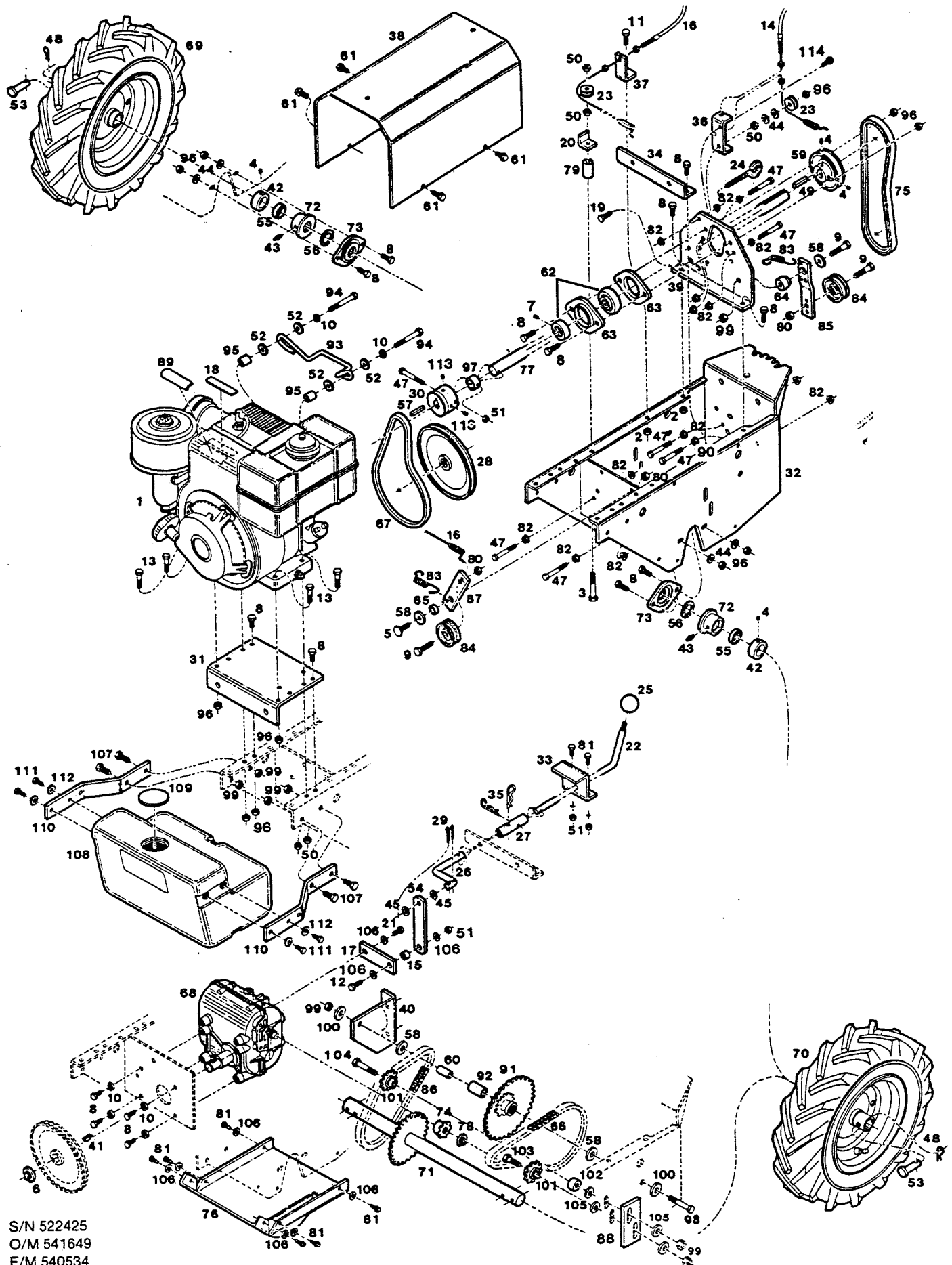
**MODEL: A8000L
8 HP COUNTER-ROTATING REAR-TINE TILLER**

Index No.	Part No.	Description	Index No.	Part No.	Description
1	150250	Bolt - hex 5/16-18 x 1-1-1/2	41	382184	Key - square 3/16 x 1-3/8
2	558064	Catch - tine clutch arm	42	616342	Nut - hex lock 5/16-18
3	615922	Bolt - hex 1/2-13 x 1-3/4	43	715508	Nut - hex lock 1/4-20 top
4	158089	Screw - hex self tap 1/4-20 x 1/2	44	616532	Pin - clevis
5	156075	Washer - flat	45	452318	Nut - hex #10-24 nylock
6	616581	Nut - hex lock 1/2-13	46	616870	Pulley - drive, tine transmission
7	159020	Bolt - hex 3/8-16 x 1-1/2	47	584375	Bushing - nylon
8	530493	Cable - engaging, tine drive	48	617514	Screw - tapping 5/16-18 x 5/8
9	530501	Cable - engaging, ground drive	49	619221	Grip - handle
10	617787	Spacer - latch	50	620310	Pusher - depth bar
11	530451	Control - throttle w/cable	51	156182	Washer - plastic
12	551648	Decal - CAUTION	52	592022	Transmission - tine drive
13	551655	Decal - WARNING	53	155366	Screw - hex #10-24 x 5/8
14	552885	Decal - Grd Drive, Tine	54	622662	Cover - clutch lever
15	380477	Pin - roll	55	584383	Spring - depth bar
16	558049	Lever - clutch, ground drive	56	620195	Knob - handle lock
17	558080	Arm - tine clutch	57	154120	Washer - nylon
18	555615	Pull Bar - handle latch	58	620203	Spring - pull bar
19	575266	Tine Assembly LH inner	59	616052	Screw - slotted hex #10-24 x 2-1/4
20	558098	Bracket - transmission	60	621672	Tie - cable
21	571372	Support - dirt shield	61	315093	Set Screw 5/16-18 x 1/4
22	575639	Tine Assembly RH outer	62	573006	Tine - 11" RH
23	558106	Bracket - dirt shield	63	573022	Tine - 11" LH
24	571984	Plate - side RH	64	574756	Tine - 13" RH
25	571992	Plate - side LH	65	574764	Tine - 13" LH
26	575274	Tine Assembly RH inner	66	615633	Nut - hex 3/8-24
27	575837	Shield - dirt	67	150185	Washer - split lock 3/8
28	571679	Bar - skid	68	575969	Hub - tines, short
29	575704	Bar - depth	69	617787	Spacer - tine
30	575647	Tine Assembly LH outer	70	575977	Hub - tines, long
31	576298	Handle	71	624940	Bolt - hex 3/8-24 x 1 GR5
32	584359	Flap - dirt	72	157255	Bolt - hex 3/8-24 x 1-1/4 GR5
33	715417	Washer - flat 3/8	73	621003	Clip - throttle cable
34	715185	Washer - flat 5/16	74	715078	Nut - hex 1/4-20 flange
35	620187	Spacer - pull bar pin	75	575696	Bracket - handlebar
36	615831	Bolt - hex 5/16-18 x 1-1/4	76	157495	Bolt - shoulder 3/8-16 x 2 1/8
37	764225	Pop Rivet	77	312355	Bolt - hex 3/8-16 x 2
38	382192	Washer - flat	78	715086	Nut - hex 3/8-16 top lock
39	584391	Hairpin Cotter	79	310003	Nut - hex 1/2-13
40	615781	Bolt - hex 1/4-20 x 2 1/4	80	152108	Bolt - hex 5/18-18 x 1

- When servicing this unit use only genuine General Power OEM replacement parts that are specifically designed and engineered for this particular model.
- Do not operate unit unless all parts are properly attached and in good working order.
- Parts are right or left hand as viewed from the operator's position.
- Specifications are subject to change without notice.

S/N 522425
O/M 541649
E/M 540534
P/B 554626

**MODEL: A8000L
8 HP COUNTER-ROTATING REAR-TINE TILLER**



S/N 522425
O/M 541649
E/M 540534
P/B 554626

**MODEL: A8000L
8 HP COUNTER-ROTATING REAR-TINE TILLER**

Index No.	Part No.	Description	Index No.	Part No.	Description
1	*	Engine - 8 H.P.	61	617514	Bolt - hex self tap 5/16-18 x 5/8
2	157610	Nut - hex lock 5/16-18 flange	62	617795	Bearing - drive shaft
3	623439	Bolt - hex 5/16-18 x 2-1/2	63	617811	Flange - bearing retainer
4	315093	Set screw 5/16-18 x 1/4	64	617878	Bushing - pilot, idler arm
5	154369	Bolt - hex shoulder 3/8-16 x 1-1/4	65	617886	Bushing - idler arm
6	159285	Ring - retaining	66	584144	Chain - drive 54 links
7	157305	Set screw 1/4-20 x 1/4	67	136028	Belt - wheel drive
8	450346	Bolt - hex 5/16-18 x 3/4	68	171447**	Transmission - wheel drive (Tecumseh/Peerless Model 700-033) Includes 74 and 78
9	159020	Bolt - hex 3/8-16 x 1-1/2			
10	311118	Washer - split lock 5/16	69	622118	Wheel - drive, w/tire RH
11	152108	Bolt - hex 5/16-18 x 1	70	622126	Wheel - drive, w/tire LH
12	158972	Bolt - hex 1/4-20 x 1	71	591800	Axle - drive wheels w/sprocket
13	460311	Bolt - hex 5/16-18 x 1-3/4	72	584227	Bearing - axle
14	530493	Cable - engaging, tine drive	73	558023	Flange - bearing retainer
15	467829	Bushing - arm	74	620021	Sprocket - axle drive
16	530501	Cable - engaging, ground drive	75	584425	Belt - tine drive
17	558189	Lever - shift on transmission	76	552836	Shield - dirt
18	551713	Decal - Place Free Hand Here	77	623181	Shaft - drive, tiller tines
19	380402	Bolt - hex 5/16-18 x 1 1/2	78	620807	Ring - retaining
20	555318	Bracket - angle	79	156489	Spacer - bracket
21	616144	Bolt - hex 1/4-28 x 1/2	80	624908	Nut - hex lock 3/8-16
22	098897	Lever - shift	81	158089	Screw - hex self tap 1/4-20 x 1/2
23	112177	Roller - cable	82	715078	Nut - hex 1/4-20 whiz flange
24	555359	Guide - cable	83	584383	Spring - idler
25	616359	Knob - shift lever	84	170530	Pulley - idler
26	557512	Rod - shift	85	557579	Arm - tine idler
27	557520	Connector - shift rod/lever	86	584151	Chain - drive 48 links
28	098863	Pulley - wheel drive transmission	87	558254	Arm - drive idler
29	317016	Pin - cotter	88	576025	Plate-Idler back-up
30	098889	Pulley - drive, on engine	89	551846	Decal - CAUTION Disengage
31	014639	Plate - engine mount	90	155242	Nut-hex jam 1/4-20
32	575332	Frame - chassis	91	434829	Sprocket - idler
33	558247	Guide - shift lever	92	423624	Bearing - sprocket
34	558163	Bracket - shift rod	93	557553	Keeper - belt, engine
35	317040	Hairpin Cotter	94	158154	Bolt - hex 5/16-18 x 2-3/4
36	558148	Support - cable	95	469544	Spacer - belt keeper
37	558155	Bracket - cable	96	715490	Nut - hex top lock 5/16-18
38	014647	Cover - belts and pulleys	97	557405	Spacer - engine pulley
39	575670	Support - rear bearing	98	456780	Bolt - hex 3/8-16 x 2-1/2
40	575183	Bracket - idler sprocket	99	715086	Nut - hex lock 3/8-16
41	615534	Key - woodruff #9	100	715417	Washer 3/8 SAE
42	557447	Collar - axle	101	584433	Sprocket - idler
43	624890	Fitting - lubrication	102	158394	Spacer - upper sprocket
44	715185	Washer - flat 5/16	103	159046	Bolt - hex 3/8-16 x 1 3/4
45	159921	Washer - flat 3/8	104	616003	Bolt - hex 3/8-16 x 2-3/8
46	615831	Bolt - hex 5/16-18 x 1-1/4	105	156877	Washer - flat 3/8
47	616094	Bolt - hex 1/4-20 x 2-1/2	106	615690	Washer - flat 1/4
48	715011	Hairpin cotter	107	715326	Bolt - hex 3/8-16 x 1
49	382184	Key - square 3/16 x 1-3/8	108	584409	Tank - front weight
50	616342	Nut - hex lock 5/16-18	109	584417	Cap - weight tank
51	715508	Nut - hex lock 1/4-20	110	575340	Bracket - weight tank
52	616508	Washer - flat	111	159004	Screw - hex 1/4-20 x 3/4
53	616532	Pin - clevis	112	461715	Washer - ext tooth lock
54	558171	Link - shifter	113	159608	Set screw 5/16-18 x 7/16
55	616565	Seal - dust	114	450858	Screw-hex self tap 1/4-20 x 3/4
56	584110	Seal - felt ring			
57	616284	Key - square 1/4 x 2			
58	616854	Washer - flat 3/8 special			
59	616870	Pulley - drive, tine transmission			
60	432971	Sleeve - sprocket bearing			

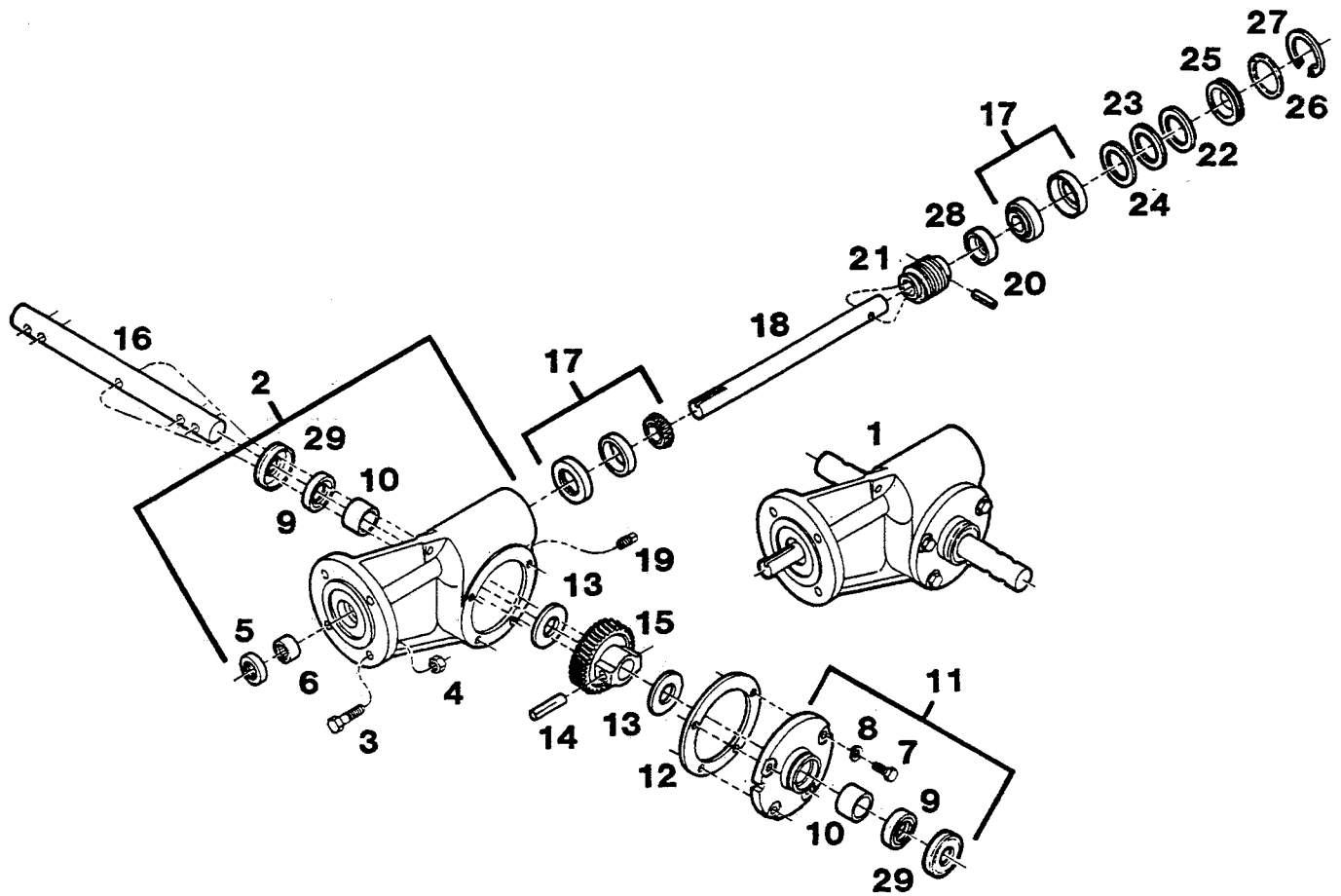
*Contact engine manufacturer's authorized service dealer for parts and warranty.

**Contact Tecumseh/Peerless authorized service dealer or distributor for parts and warranty.

- When servicing this unit use only genuine General Power OEM replacement parts that are specifically designed and engineered for this particular model.
- Do not operate unit unless all parts are properly attached and in good working order.
- Parts are right or left hand as viewed from the operator's position.
- Specifications are subject to change without notice.

S/N 522425
O/M 541649
E/M 540534
P/B 554626

MODEL: A8000L
8 HP COUNTER-ROTATING REAR-TINE TILLER



S/N 522425
O/M 541649
E/M 540534
P/B 554626

**MODEL: A8000L
8 HP COUNTER-ROTATING REAR-TINE TILLER**

Index No.	Part No.	Description
1	592022	Transmission assembly
2	592378	Case-transmission w/bmgs & seals (includes one each of 5, 6, 9, 10 & 29)
3	159020	Bolt - hex 3/8-16 x 1-1/2
4	715086	Nut-hex lock 3/8-16
5	616383	Seal-oil, worm shaft
6	616524	Bearing-needle worm shaft
7	617019	Bolt - hex 5/16-18 x 7/8
8	311118	Washer-split lock 5/16
9	616391	Seal-oil, axle
10	617241	Bearing-needle, axle
11	592386	Cover-side w/ bmg & seals (includes one each of 9, 10 and 29)
12	617035	Gasket-cover
13	616417	Washer-thrust
14	616466	Pin-worm gear
15	624452	Gear-worm
16	617845	Axle-tine
17	545582	Bearing-worm shaft
18	617084	Shaft-worm
19	615500	Plug-pipe
	616912	Plug-breather
20	155515	Pin-roll 1/4 x 1-1/8
21	624429	Worm-drive
22	621334	Shim .003 (as required)
23	621342	Shim .005 (as required)
24	622506	Shim .020 (as required)
25	616433	Plug-seal
26	616441	O-ring
27	616425	Ring-retainer
28	623504	Collar-worm
29	762245	Cover-hub seal

517037 SHIM KIT-Consists of (5) .005 thick shims. (1) .003 thick shim and (1) .020 thick shim. Worm shaft to be shimmed to 0 to .005 end play.

- When servicing this unit use only genuine General Power OEM replacement parts that are specifically designed and engineered for this particular model.
- Do not operate unit unless all parts are properly attached and in good working order.
- Parts are right or left hand as viewed from the operator's position.
- Specifications are subject to change without notice.