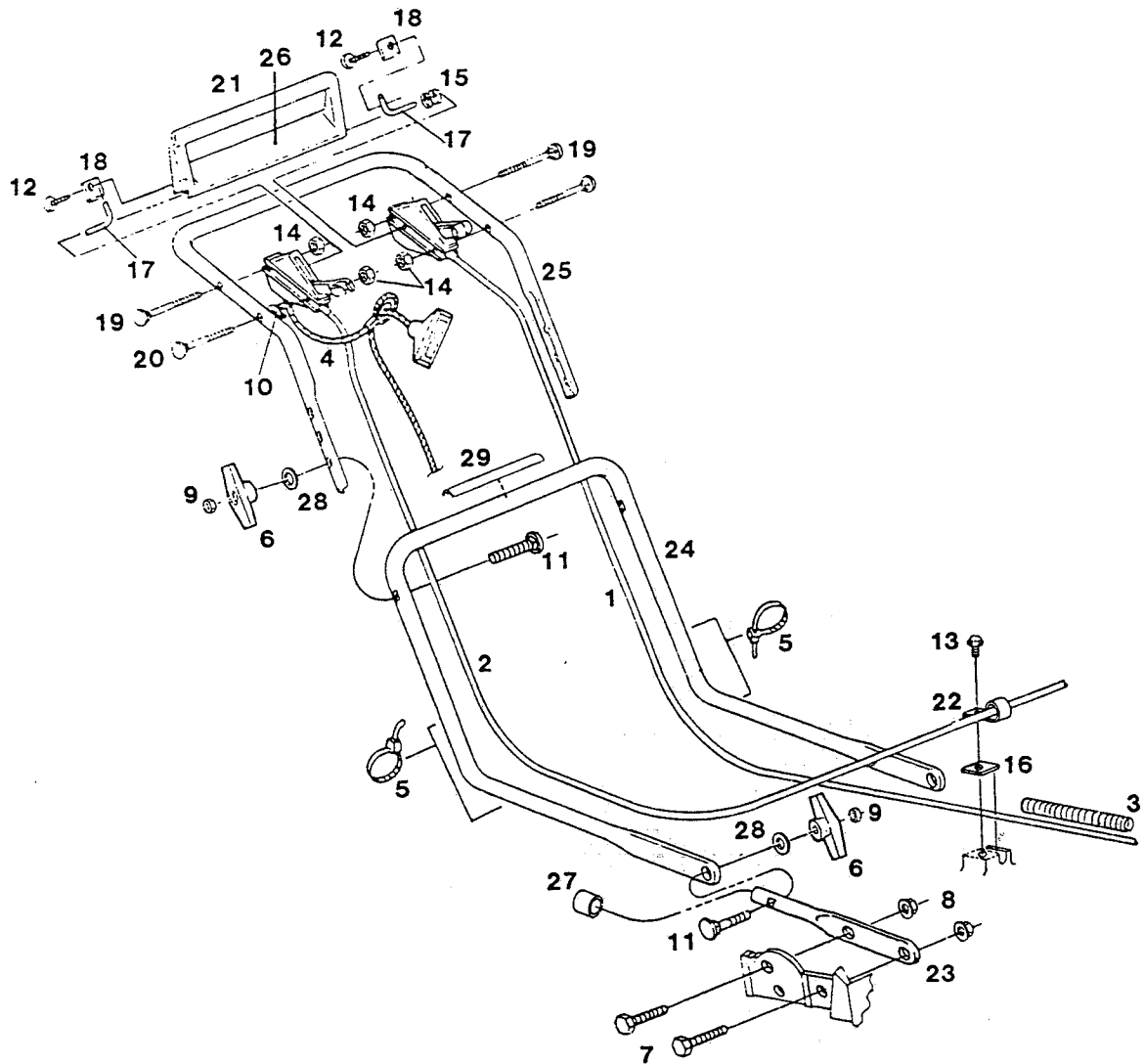


**MODEL: APSB21/5L****21" CUT SUPER-BAGGER ROTARY MOWER**

Use Grass Catcher Assembly & Side-Discharge  
Chute Listed on Pg. 47

**INDEX PART**

NO.	NO.	DESCRIPTION
1	052977	Control - Throttle w/Cable
2	052985	Cable - Engine/Blade Control
3	589494	Cover - Cable
4	589661	Grip Restraint
5	110379	Cable Tie
6	113589	Wing Nut
7	152108	Bolt - 5/16-18 x 1 HHCS Gr. 8
8	159236	Nut - 5/16-18 Flg. Lock
9	310045	Nut - 5/16-18 Hex
10	580335	Washer - Curved 1/4
11	581463	Bolt - Handle
12	583024	Screw - 1/4-10 x 5/8 Phillips Tap
13	583050	Screw - 1/4-20 x 5/8 Hex Tap
14	583166	Nut - 1/4-20 Hex Lock
15	586090	Spring - Compression

**INDEX PART**

NO.	NO.	DESCRIPTION
16	586626	Clamp - Throttle Cable
17	587708	Pivot - Shaft
18	587716	Clamp - Pivot Shaft
19	587955	Bolt - 1/4-20 x 2 Carriage
20	587965	Bolt - 1/4-20 x 2-1/4 Carriage
21	588154	Bail - Engine/Blade Control
22	588983	Clamp - Engine Control Cable
23	589362	Stub - Handle Mounting
24	589364	Handle - Lower
25	589398	Handle - Upper
26	799610	Decal - Cyclo Action
27	589412	Cap - Plug
28	715185	Washer - Flat 5/16
29	715557	Decal - Starting Instructions

- When servicing this unit use only genuine General Power OEM replacement parts that are specifically designed and engineered for this particular model.
- Do not operate unit unless all parts are properly attached and in good working order.
- Parts are right or left hand as viewed from the operator's position.
- Specifications are subject to change without notice.

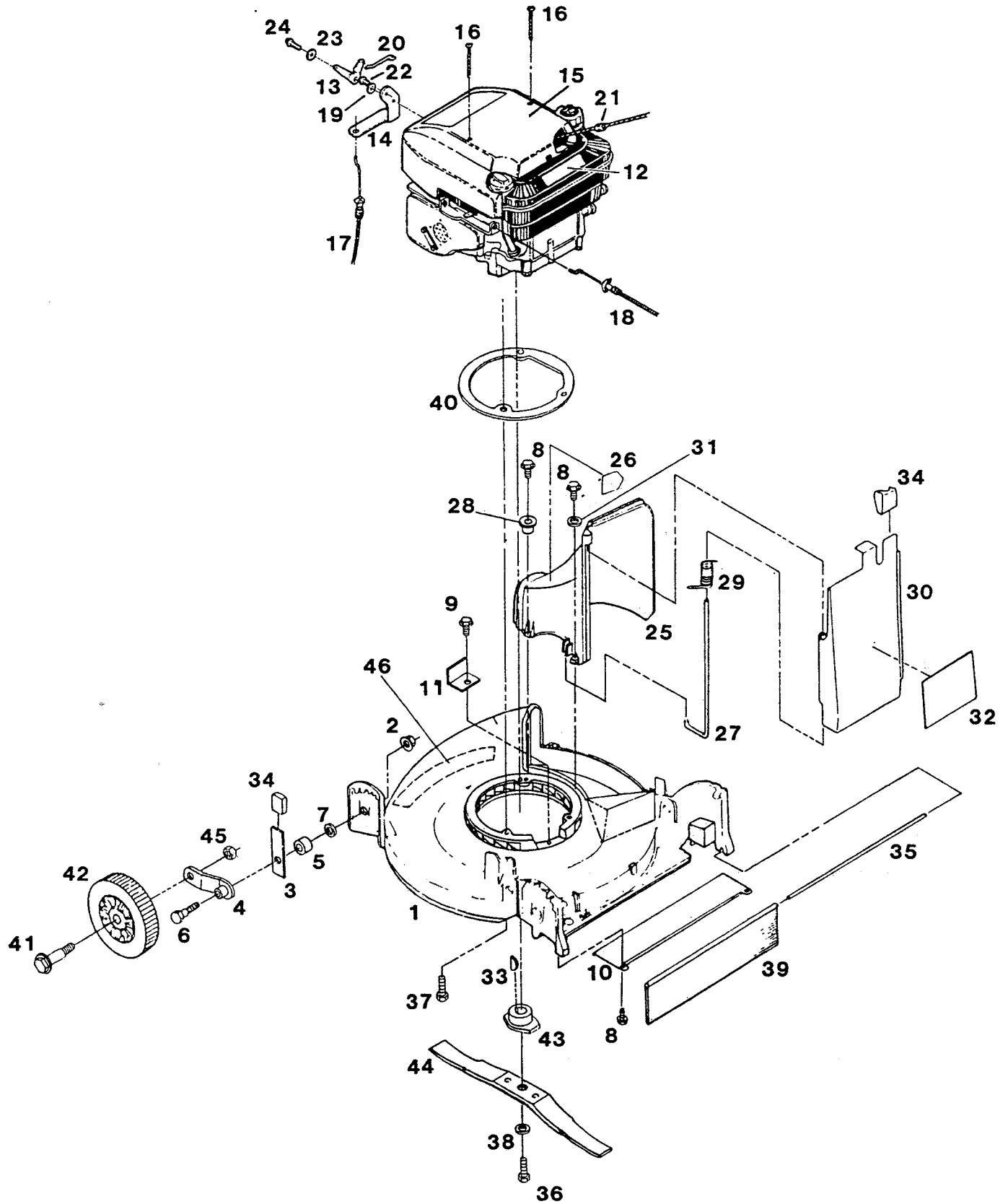
S/N 239832

P/L 082484

O/M 082483

E/M 189142

**MODEL: APSB21/5L**  
**21" CUT SUPER-BAGGER ROTARY MOWER**  
Use Grass Catcher Assembly & Side-Discharge  
Chute Listed on Pg. 47



S/N 239832  
P/L 082484  
O/M 082483  
E/M 189142

**MODEL: APSB21/5L**  
**21" CUT SUPER-BAGGER ROTARY MOWER**  
 Use Grass Catcher Assembly & Side-Discharge  
 Chute Listed Below

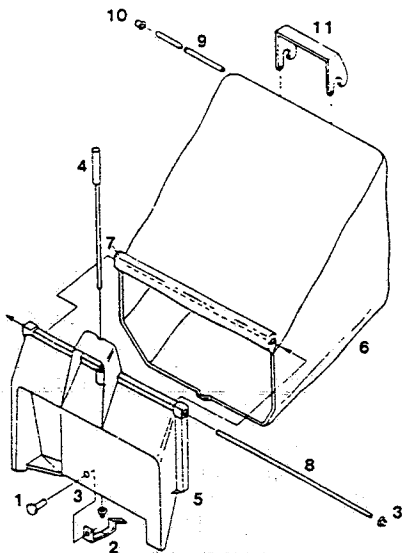
INDEX PART		
NO.	NO.	DESCRIPTION
1	588430	Deck - 21" Red
2	159236	Nut - 5/16 Fig. Lock
3	586051	Setting Lever Assembly
4	585794	Wheel Arm
5	581274	Spacer - Wheel
6	581490	Bolt - Height Adjuster
7	715185	Washer - Flat 5/16
8	583021	Screw - 1/4-20 x 3/4 Hex Tap
9	583049	Screw - 1/4-20 x 1/2 Hex Tap
10	116775	Cover - Rear
11	094989	Cover
12	799503	Decal - Blade Warning
13	023682	Bellcrank
14	023683	Bracket - Throttle
15	036723	Cover - Engine
16	036731	Screw - #8-32 x 1-1/4 Phillips Tap
17	052977	Control - Throttle w/cable
18	052985	Cable - Engine/Blade Control
19	094250	Spacer - Stepped
20	094898	Throttle Link
21	152074	Rope Stop
22	157784	Screw - #10-24 x 3/8 Hex Tap
23	159467	Washer - Flat 3/16

INDEX PART		
NO.	NO.	DESCRIPTION
24	380543	Screw - #10-24 x 3/4 Hex Tap
25	589594	Discharge Chute
26	587522	Decal - CPSC Danger
27	581483	Hinge Pin
28	583531	Eyelet
29	587976	Spring - Door Chute
30	589489	Door Chute
31	615690	Washer - Flat 1/4
32	588798	Decal - Door Warning
33	162636	Key - Woodruff #61
34	579717	Plastic Tip - Height Adjuster
35	581486	Rod - Trailing Shield
36	582964	Bolt - 3/8-24 x 1-1/4 HHCS Gr. 8
37	583026	Bolt - 3/8-16 x 2-1/4 HHCS Gr. 5
38	156919	Washer - 3/8 Lock H.D.
39	581515	Trailing Shield - Plastic
40	587233	Engine Ring
41	382879	Wheel Bolt
42	588697	Wheel - 8"
43	589375	Adapter - Blade
44	589413	Blade - 21"
45	715524	Nut - 3/8-16 Lock
46	799562	Decal - Logo

- When servicing this unit use only genuine General Power OEM replacement parts that are specifically designed and engineered for this particular model.
- Do not operate unit unless all parts are properly attached and in good working order.
- Parts are right or left hand as viewed from the operator's position.
- Specifications are subject to change without notice.

GPE P/N 397042

## ASK FOR SIDE DISCHARGE CHUTE MODEL APMRB-SDC



### GRASS CATCHER ASSEMBLY

GPE P/N 161276

INDEX PART		
NO.	NO.	DESCRIPTION
1	118555	Rivet - 5/32 x 3/8
2	581517	Latch - Bag Release
3	583212	Palnut
4	587167	Rod - Latch Release
5	588851	Bag Adapter
6	588576	Bag - Replacement
7	579734	Rod - Bag Support
8	581484	Rod - Bag Hinge
9	581485	Rod - Upper Bag Support
10	581489	Retainer - Rod
11	587167	Handle - Bag

S/N 239832  
 P/L 082484  
 O/M 082483  
 E/M 189142