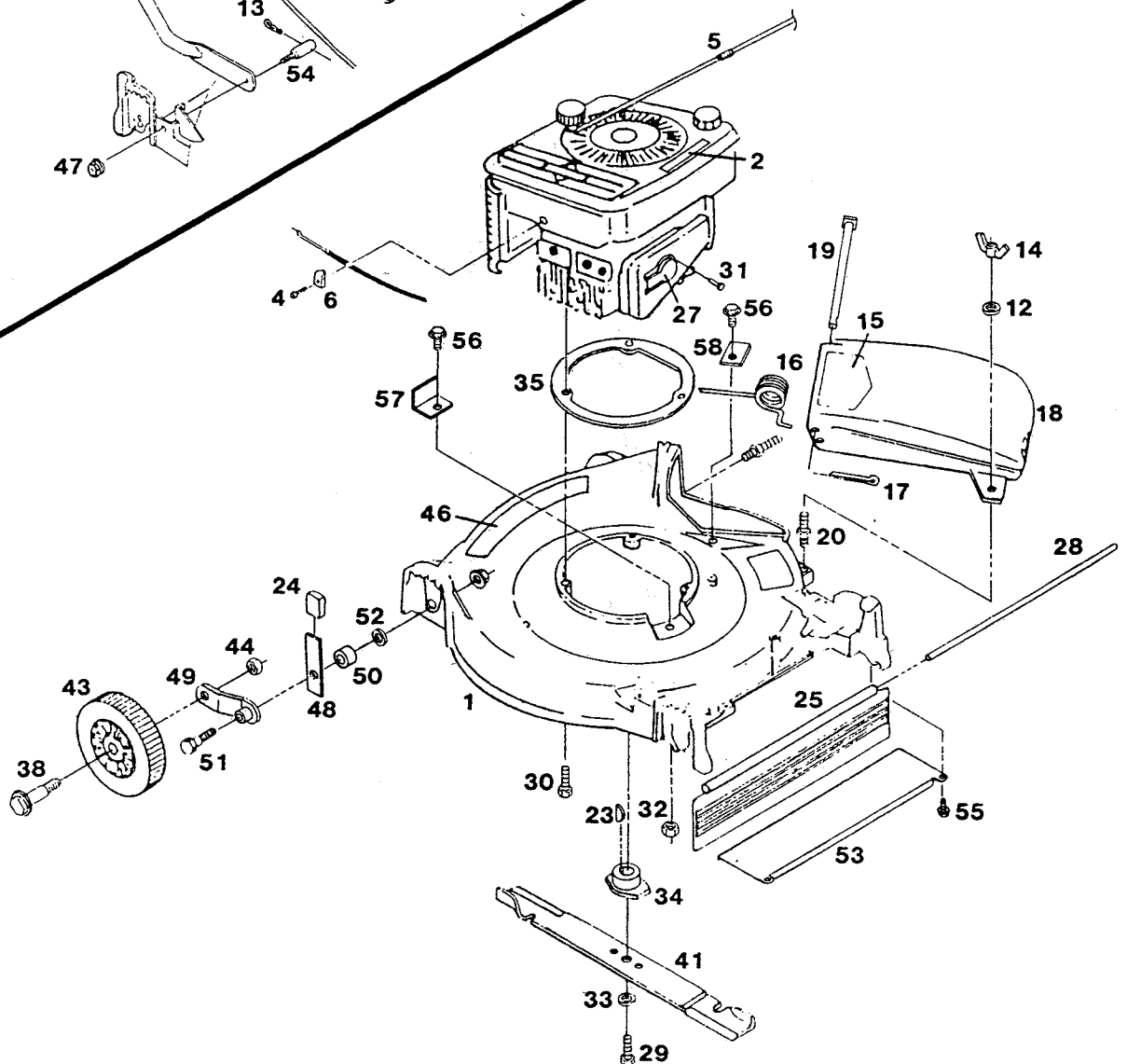
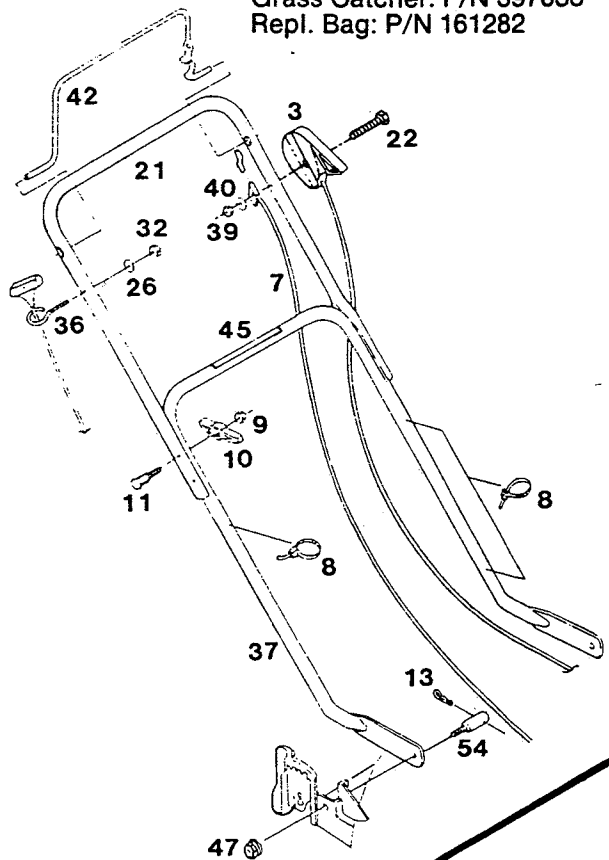


**MODEL: APSD20/4L**  
**20" CUT SIDE-DISCHARGE ROTARY MOWER**  
 Use Grass Catcher Model: APHSD-GC  
 Grass Catcher: P/N 397038  
 Repl. Bag: P/N 161282



S/N 239834  
 P/L 082489  
 O/M 082487  
 E/M 189142

**MODEL: APSD20/4L**  
**20" CUT SIDE-DISCHARGE ROTARY MOWER**  
 Use Grass Catcher Model: APHSD-GC  
 Grass Catcher: P/N 397038  
 Repl. Bag: P/N 161282

INDEX PART		
NO.	NO.	DESCRIPTION
1	588020	Deck - 20"
2	799503	Decal - blade warning
3	052944	Control - throttle w/cable
4	150623	Screw - #10-16 x 5/8 tap
5	152074	Rope stop
6	157552	Cable clamp
7	586319	Cable - engine/blade control
8	110379	Cable tie
9	310045	Nut - 5/16-18 hex
10	113589	Wing nut
11	581463	Bolt - handle
12	583289	Washer - flat 1/4
13	583382	Hair pin
14	587998	Wing nut - 1/4-20 nylon insert
15	587522	Decal - danger
16	581712	Spring - chute
17	715029	Cotter pin
18	587852	Cover - discharge
19	587987	Hinge pin
20	587992	Stud - 1/4-20 x 3/4
21	116729	Handle - upper
22	153874	Bolt - 1/4-20 x 2-1/4 HHCS
23	162636	Key - woodruff #61
24	579717	Plastic tip - height adjuster
25	579832	Trailing shield - plastic
26	580335	Washer - curved 1/4
27	581514	Deflector - muffler
28	581765	Rod - trailing shield
29	582964	Bolt - 3/8-24 x 1-1/4 HHCS Gr. 8

INDEX PART		
NO.	NO.	DESCRIPTION
30	583020	Bolt - 3/8-16 x 1-1/2 HHCS
31	583023	Screw - #8-32 x 3/8 tap
32	583166	Nut - 1/4-20 lock
33	156919	Washer - 3/8 lock hvy
34	587194	Blade adapter
35	587233	Engine ring
36	587287	Eyebolt - 1/4-20
37	587603	Handle - lower
38	382879	Wheel bolt
39	310052	Nut - 1/4-20 hex
40	588515	Washer - ext. lock 1/4
41	588589	Blade - 20"
42	588612	Bail - engine/blade control
43	588697	Wheel - 8"
44	715524	Nut - 3/8-16 lock
45	715557	Decal - starting instructions
46	799562	Decal - logo
47	159236	Nut - 5/16-18 flg lock
48	586051	Setting lever assembly
49	586794	Wheel arm
50	581274	Spacer
51	581490	Bolt - height adjuster
52	715185	Washer - flat
53	588981	Cover - rear
54	581488	Stud - handle mounting
55	583021	Screw - 1/4-20 x 3/4 tap
56	583049	Screw - 1/4-20 x 1/2 hex
57	586793	Cover - belt opening
58	588002	Bracket - rear bagger

- When servicing this unit use only genuine General Power OEM replacement parts that are specifically designed and engineered for this particular model.
- Do not operate unit unless all parts are properly attached and in good working order.
- Parts are right or left hand as viewed from the operator's position.
- Specifications are subject to change without notice.