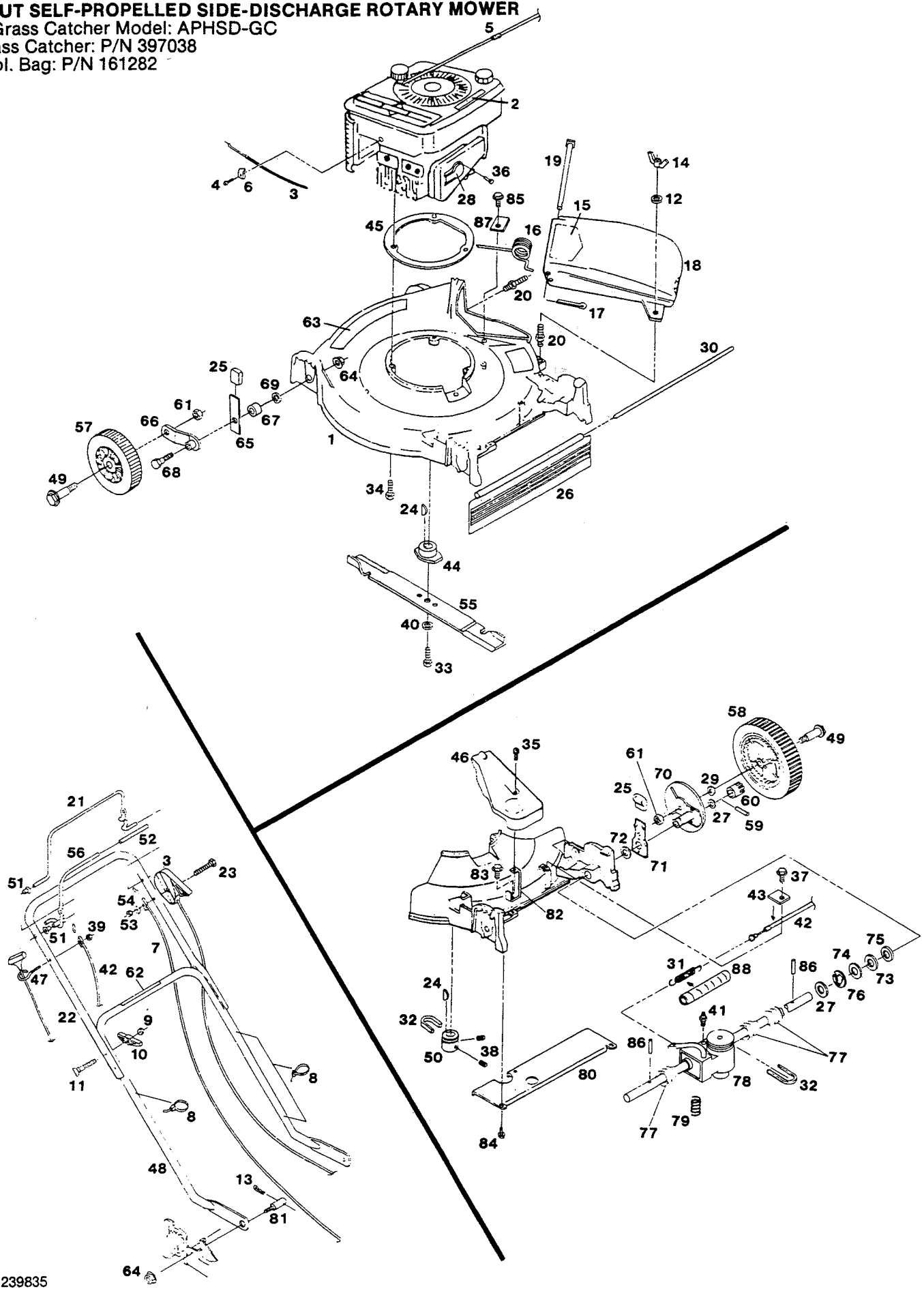


MODEL: APSD20P/4L
20" CUT SELF-PROPELLED SIDE-DISCHARGE ROTARY MOWER
 Use Grass Catcher Model: APHSD-GC
 Grass Catcher: P/N 397038
 Repl. Bag: P/N 161282



S/N 239835
 P/L 082491
 O/M 082487
 E/M 189142

MODEL: APSD20P/4L
20" CUT SELF-PROPELLED SIDE-DISCHARGE ROTARY MOWER
 Use Grass Catcher Model: APHSD-GC
 Grass Catcher: P/N 397038
 Repl. Bag: P/N 161282

INDEX NO.	PART NO.	DESCRIPTION	INDEX NO.	PART NO.	DESCRIPTION
1	588022	Deck - 20"	45	587233	Engine ring
2	799503	Decal - blade warning	46	587271	Drive cover
3	052944	Control - throttle w/cable	47	587287	Eyebolt - 1/4-20
4	150623	Screw - #10-16 x 5/8 tap	48	587603	Handle - lower
5	152074	Rope stop	49	382879	Wheel bolt
6	157552	Cable clamp	50	095027	Pulley - two speed
7	586319	Cable - engine/blade control	51	588463	Bushing - drive bail
8	110379	Cable tie	52	588474	Sleeve - drive bail
9	310045	Nut - 5/16-18 hex	53	310052	Nut - 1/4-20 hex
10	113589	Wing nut	54	588515	Washer - ext. lock 1/4
11	581463	Bolt - handle	55	588589	Blade - 20"
12	583289	Washer - flat 1/4	56	588620	Bail - ground drive control
13	583382	Hair pin	57	588697	Wheel - 8" front
14	587998	Wing nut - 1/4-20 nylon insert	58	588709	Wheel - 8" rear drive
15	587522	Decal - danger	59	589363	Drive pin
16	581712	Spring - chute	60	589417	Pinion RH
17	715029	Cotter pin		589418	Pinion LH
18	587852	Cover - discharge	61	715524	Nut - 3/8-16 lock
19	587987	Hinge pin	62	715557	Decal - starting instructions
20	587992	Stud - 1/4-20 x 3/4	63	799562	Decal - logo
21	094375	Bail - engine/blade control	64	159236	Nut - 5/16-18 flg. lock
22	116729	Handle - upper	65	586051	Setting lever assembly - front
23	153874	Bolt - 1/4-20 x 2-1/4 HHCS	66	586794	Wheel arm
24	162636	Key - woodruff #61	67	581274	Spacer - front hgt. adj.
25	579717	Plastic tip - height adjuster	68	581490	Bolt - height adjuster
26	579832	Trailing shield - plastic	69	715185	Washer - flat
27	580632	Washer - flat 1/2	70	586041	Drive wheel support ass'y
28	581514	Deflector - muffler	71	586795	Setting lever assembly - rear
29	581584	Washer - flat 3/8	72	581477	Spacer - rear hgt. adj.
30	581765	Rod - trailing shield	73	579094	Washer - shim
31	581933	Spring - extension	74	581005	Washer - flat
32	582520	V-belt	75	583308	Washer - wave
33	582964	Bolt - 3/8-24 x 1-1/4 HHCS Gr. 8	76	583355	E-ring
34	583020	Bolt - 3/8-16 x 1-1/2 HHCS	77	585871	Dust shield - plastic
35	583022	Screw - 1/4-20 x 3/4 phillips hd.	78	589382	Gear reducer
36	583023	Screw - #8-32 x 3/8 tap	79	589468	Spring - compression
37	158089	Screw - 1/4-20 x 1/2 hex hd. tap	80	588982	Cover - rear
38	583085	Screw - 1/4-20 x 3/8 set	81	581488	Stud - handle mounting
39	583166	Nut - 1/4-20 lock	82	588998	Bracket - gear box
40	156919	Washer - 3/8 lock hvy.	83	583013	Screw - 1/4-20 x 9/16 hex hd. tap
41	586247	Vent	84	583021	Screw - 1/4-20 x 3/4 hex hd. tap
42	586320	Cable - drive engagement	85	583049	Screw - 1/4-20 x 1/2 hex hd. tap
43	586626	Clamp - drive cable	86	583400	Roll Pin - 1/8 x 7/8
44	587194	Blade adapter	87	588002	Bracket - rear bagger
			88	586373	Spring cover

- When servicing this unit use only genuine General Power OEM replacement parts that are specifically designed and engineered for this particular model.
- Do not operate unit unless all parts are properly attached and in good working order.
- Parts are right or left hand as viewed from the operator's position.
- Specifications are subject to change without notice.