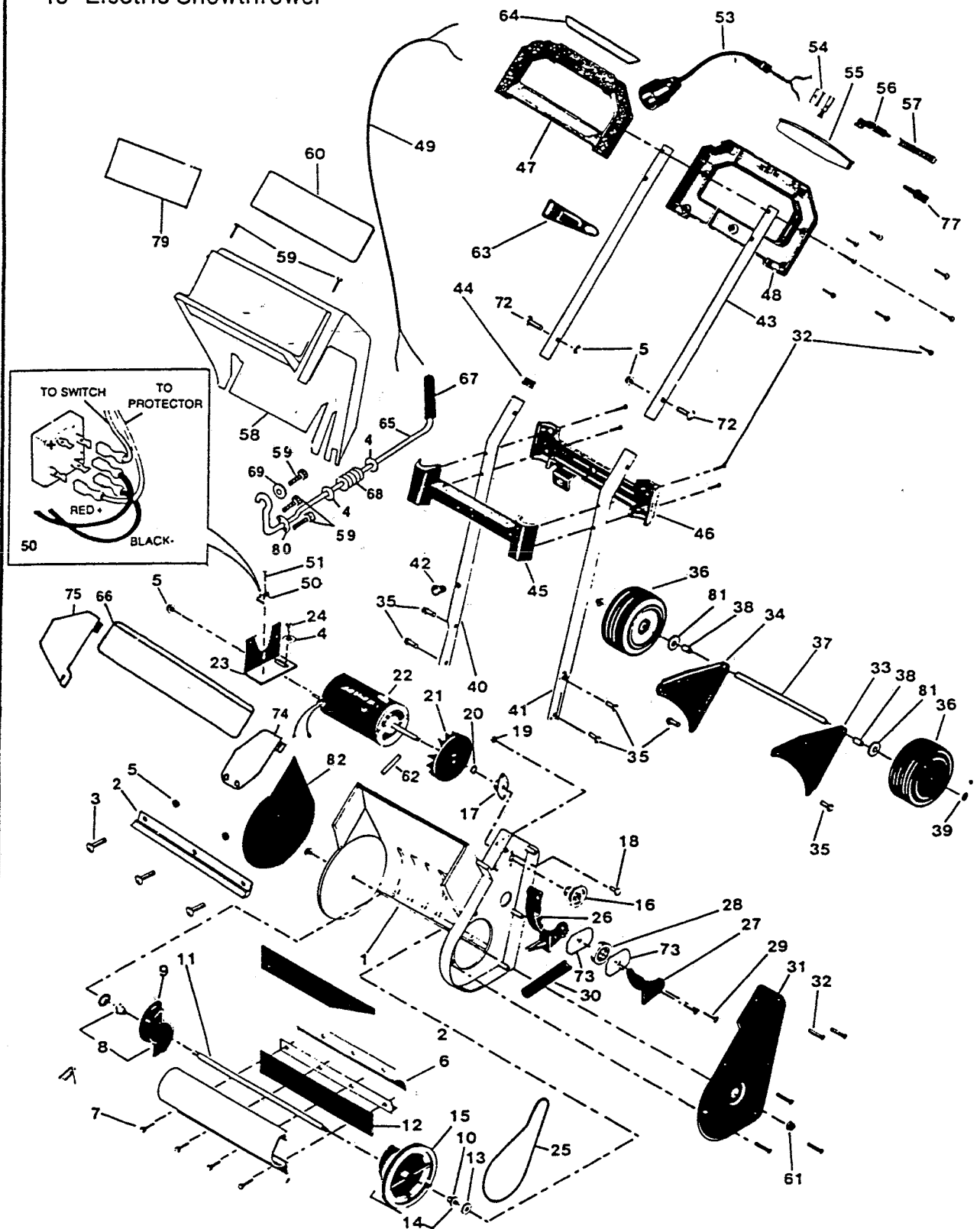


A W15ELG
W15ELG
 15" Electric Snowthrower



A W15ELG 601641
 S W15ELG 601633
 15" Electric Snowthrower

Key No.	Part No.	Description	Key No.	Part No.	Description
1	672592	Housing - Scoop	40	657213	Handle Tube - R.H. (Lower)
2	672600	Scraper	41	657221	Handle Tube - L.H. (Lower)
3	150011	Bolt - Carr. 1/4 - 20 x 5/8	42	840025	Bushing - Heyco
4	460923	Washer - Flat	43	657239	Handle Tube (Upper)
5	715078	1/4 - 20 Flange Nut	44	672691	Bushing Snap
6	672618	Segment - Drum	45	672709	Handle - Assist. (Cover Half)
7	156505	Screw # 10 - 24 x 3/4	46	672717	Handle - Assist. (Bottom Half)
8	672626	Assy. - End Cap and Brg.	47	672725	Handle (Cover Half)
9	672634	Cap - Drum End	48	672733	Handle (Bottom Half)
10	664177	Bearing - Bronze	49	630202	Assy. - Power Cord
11	664185	Shaft - Paddle	50	630012	Rectifier
12	672642	Paddle	51	156547	Screw # 6 - 32 x 3/4
13	156513	Washer - Flat	53	630228	Connecting Lead
14	672659	Assy. - Pulley & Brg.	54	630236	Switch
15	672667	Pulley - Driven	55	672741	Bar - Switch Actuator
16	672675	Pulley - Drive	56	672758	Interlock - Switch
17	664193	Bearing - Self Aligning	57	664292	Spring - Switch Interlock
18	715052	Screw 1/4 - 20 x 1/2	58	672766	Shroud - Motor
19	715037	1/4 - 20 Keps Nut	59	157586	Screw # 10 - 16 x 5/8
20	311316	Washer - Thrust	60	678755	Label - For Safe Operation
21	672683	Fan - Motor	61	151340	Nut 5/16 - 18 Flange
22	610113	Motor	62	314112	Roll Pin
23	664201	Bracket - Motor Mtg.	63	111419	Strain Relief - Cord
24	156521	Screw 1/4 - 14 x 3/4	64	679548	Label - Instruction
25	707919	Belt - Drive	65	664300	Actuator Rod
26	664219	Arm - Idler	66	672774	Slider
27	664227	Retainer - Idler Brg.	67	672782	Vinyl Tip
28	664235	Bearing - Idler	68	156695	Spring
29	156539	#8 x 5/8 Polyscrew	69	156687	Washer
30	664243	Spring - Idler	72	157578	Bolt - Car. 1/4 - 20 x 1 1/4
31	664250	Cover - Drive Housing	73	664318	Belt Retainer
32	152736	Screw # 8 - 18 x 3/4	74	672790	Outer Vane
33	664268	Bracket - L.H. (Wheel)	75	672808	Inner Vane
34	664276	Bracket - R.H. (Wheel)	77	672816	Key - Switch Interlock
35	153007	1/4 - 20 x 1/2 Self Tapping Screw	79	679555	Label Danger
36	041434	Wheel	80	665091	Base Clamp
37	664284	Axle - Wheel	81	715185	5/16 Washer
38	469544	Spacer - Wheel	82	673038	Cover R.H.
39	153767	Retainer - Pushnut		688317	Operating Manual