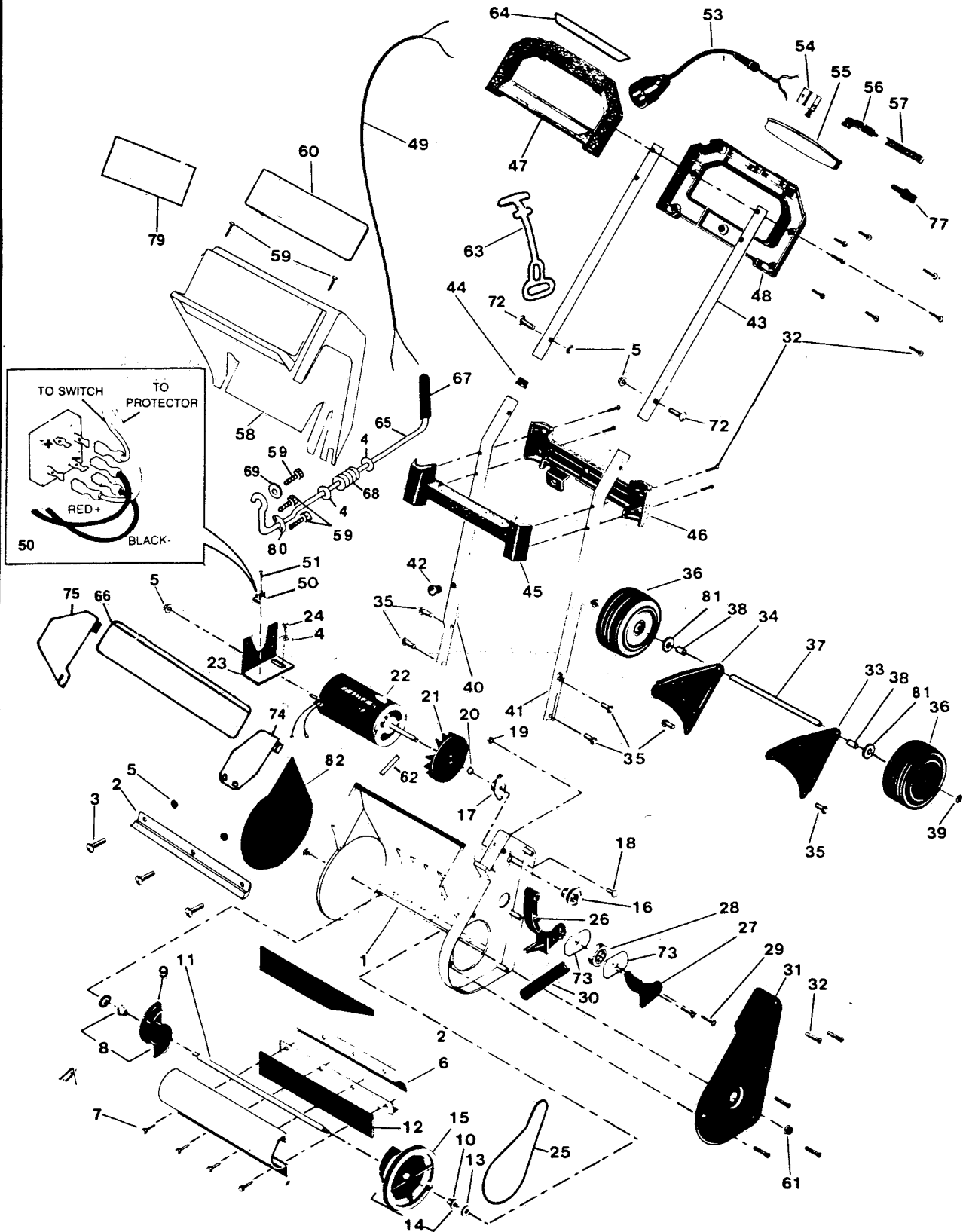


**MODEL: AW15ELM - SCW15ELM
15" ELECTRIC SNOWTHROWER**



**MODEL: AW15ELM - SCW15ELM
15" ELECTRIC SNOWTHROWER**

| Key No. | Part No. | Description | Key No. | Part No. | Description |
|---------|----------|-----------------------------------|---------|----------|--------------------------------------|
| 1 | 672592 | Housing - Scoop | 42 | 840025 | Bushing - Heyco |
| 2 | 672600 | Scraper | 43A | 657239 | Handle Tube (Upper) Silver |
| 3 | 150011 | Bolt - Carr. 1/4 - 20 x 5/8 | 43B | 657833 | Handle, Tube (Upper) Grey |
| 4 | 460923 | Washer - Flat | 44 | 672691 | Bushing Snap |
| 5 | 715078 | 1/4 - 20 Flange Nut | 45A | 672709 | Handle - Assist. (Cover Half) Black |
| 6 | 672618 | Segment - Drum | 45B | 673582 | Handle - Assist. (Cover Half) Grey |
| 7 | 156505 | Screw # 10 - 24 x 3/4 | 46A | 672717 | Handle - Assist. (Bottom Half) black |
| 8 | 672626 | Assy. - End Cap and Brg. | 46B | 673608 | Handle - Assist. (Bottom Half) Grey |
| 9 | 672634 | Cap - Drum End | 47A | 672725 | Handle (Cover Half) Black |
| 10 | 664177 | Bearing - Bronze | 47B | 673624 | Handle (Cover Half) Grey |
| 11 | 664185 | Shaft - Paddle | 48A | 672733 | Handle (Bottom Half) Black |
| 12 | 672642 | Paddle | 48B | 673632 | Handle (Bottom Half) Grey |
| 13 | 156513 | Washer - Flat | 49 | 630202 | Assy. - Power Cord |
| 14 | 672659 | Assy. - Pulley & Brg | 50 | 630012 | Rectifier |
| 15 | 672667 | Pulley - Driven | 51 | 156547 | Screw # 6 - 32 x 3/4 |
| 16 | 672675 | Pulley - Drive | 53 | 630228 | Connecting Lead |
| 17 | 664193 | Bearing - Self Aligning | 54 | 630236 | Switch |
| 18 | 715052 | Screw 1/4 - 20 x 1/2 | 55 | 672741 | Bar - Switch Actuator |
| 19 | 715037 | 1/4 - 20 Keps Nut | 56 | 672758 | Interlock - Switch |
| 20 | 311316 | Washer - Thrust | 57 | 664292 | Spring - Switch Interlock |
| 21 | 672683 | Fan - Motor | 58 | 672766 | Shroud - Motor |
| 22 | 610113 | Motor | 59 | 157586 | Screw # 10 - 16 x 5/8 |
| 23 | 664201 | Bracket - Motor Mtg. | 60 | 678755 | Label - For Safe Operation |
| 24 | 156521 | Screw 1/4 - 14 x 3/4 | 61 | 151340 | Nut 5/16 - 18 Flange |
| 25 | 707919 | Belt - Drive | 62 | 314112 | Roll Pin |
| 26 | 664219 | Arm - Idler | 63 | 673566 | Strain Relief - Cord |
| 27 | 664227 | Retainer - Idler Brg. | 64 | 679548 | Label - Instruction |
| 28 | 664235 | Bearing - Idler | 65 | 664300 | Actuator Rod |
| 29 | 156539 | #8 x 5/8 Polyscrew | 66 | 672774 | Slider |
| 30 | 664243 | Spring - Idler | 67 | 672782 | Vinyl Tip |
| 31 | 664250 | Cover - Drive Housing | 68 | 156695 | Spring |
| 32 | 152736 | Screw # 8 - 18 x 3/4 | 69 | 156687 | Washer |
| 33 | 664268 | Bracket - L.H. (Wheel) | 72 | 157578 | Bolt - Car 1/4 - 20 x 1 1/4 |
| 34 | 664276 | Bracket - R.H. (Wheel) | 73 | 664318 | Belt Retainer |
| 35 | 153007 | 1/4 - 20 x 1/2 Self Tapping Screw | 74 | 672790 | Outer Vane |
| 36 | 041434 | Wheel | 75 | 672808 | Inner Vane |
| 37 | 664284 | Axle - Wheel | 77 | 672816 | Key - Switch Interlock |
| 38 | 469544 | Spacer - Wheel | 79 | 679555 | Label Danger |
| 39 | 153767 | Retainer - Pushnut | 80 | 665091 | Base Clamp |
| 40A | 657213 | Handle Tube - R.H. (Lower) Silver | 81 | 715185 | 5/16 Washer |
| 40B | 657817 | Handle, Tube - R.H. (Lower) Grey | 82 | 673038 | Cover R.H. |
| 41A | 657221 | Handle Tube - L.H. (Lower) Silver | | 688804 | Operating Manual |
| 41B | 657825 | Handle, Tube - L.H. (Lower) Grey | | | |