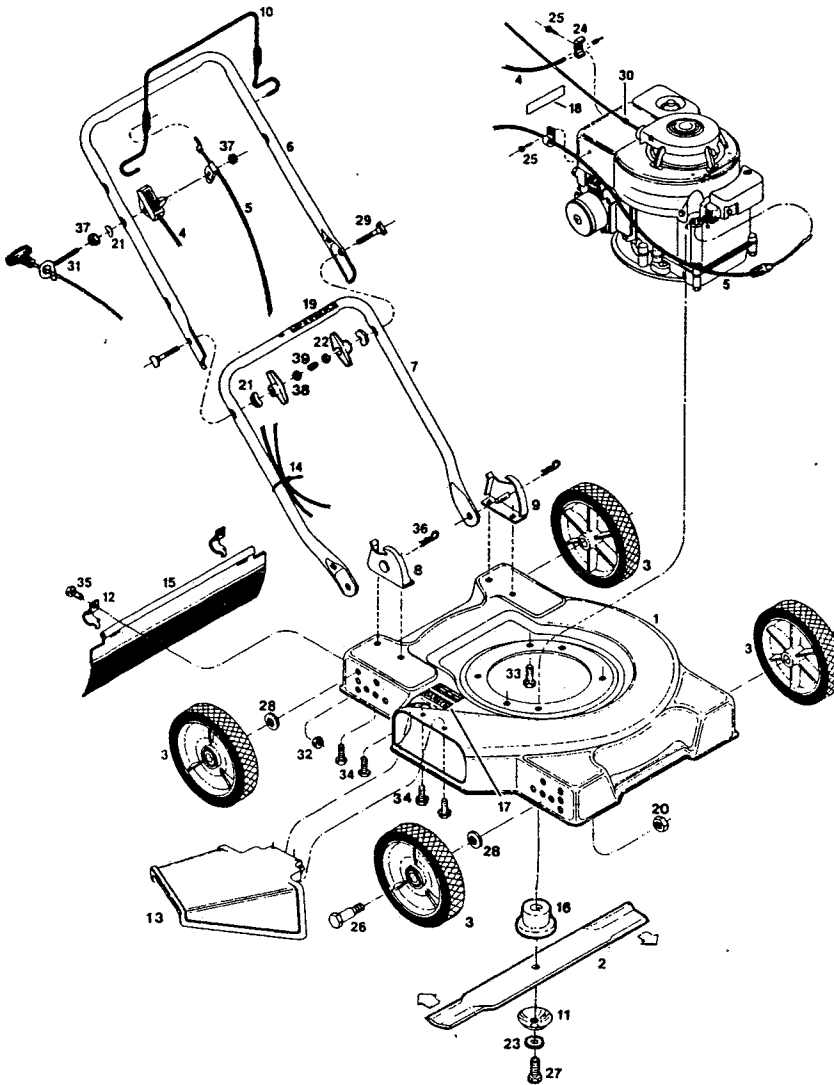


**MODEL: AW19M - FUB19M**  
**3.5 hp 19" CUT SIDE-DISCHARGE MOWER**  
 Grass Catcher Model: GC6AA  
 Grass Catcher: P/N 161018  
 Repl. Bag: P/N 161158



INDEX NO.	PART NO.	DESCRIPTION
1	022269	Deck 19"
2	030023	Blade - 19" Flat
3	041533	Wheel 6-1/2" Plastic
	041012	Wheel 6" Plastic
	041863	Wheel 7" Steel
	043000	Wheel 7" Plastic
4	053079	Control - Throttle Plastic
5	052142	Cable - Engine/Blade Control
6	073007	Handle - Upper
7	072991	Handle - Lower
8	092601	Handle Bracket - Right Hand
9	092619	Handle Bracket - Left Hand
10	104687	Bail - Engine/Blade Control
11	164681	Washer - Conical
12	106914	Clip - Training Shield
13	394619	Chute Deflector Assembly
14	110379	Cable Tie
15	114389	Trailing Shield
16	094933	Blade Adapter
17	144063	Decal - C.P.S.C. Danger
18	009415	Decal - Blade Warning
19	799599	Decal - Starting Instructions
20	156406	Locknut 3/8-16 Flange
21	150201	Washer - Curved 5/16
22	113589	Knob-Wing
23	156877	Washer - Hardened
24	150318	Cable Clamp
25	150623	Self Tap Screw #10 x 5/8
26	150060	Shoulder Bolt
27	157255	Bolt-Blade 3/8-24 x 1-1/4 Gr. 8
28	715607	Washer - Belleville
29	151936	Bolt - Curved Head 5/16-18 x 2-1/4
30	152074	Rope Stop
31	152629	Rope Guide
32	452318	Nut #10-24 Hx Nylon Insert
33	164999	Bolt - Hex Head Self Tap 3/8-16 x 7/8
34	164998	Bolt - Self Tap 1/4-20 x 5/8
35	458687	Bolt #10-24 x 1/2
36	715011	Hairpin Cotter
37	715037	Nut - Keps 1/4-20
38	310045	Nut-5/16-18 Hex
39	110064	Cap-Plastic

**NOTE:** Parts are right or left hand as viewed from operator position.

Specifications subject to change without prior notice.

S/N 239858 - 239967  
 P/L 082623  
 O/M 082619  
 E/M 082689