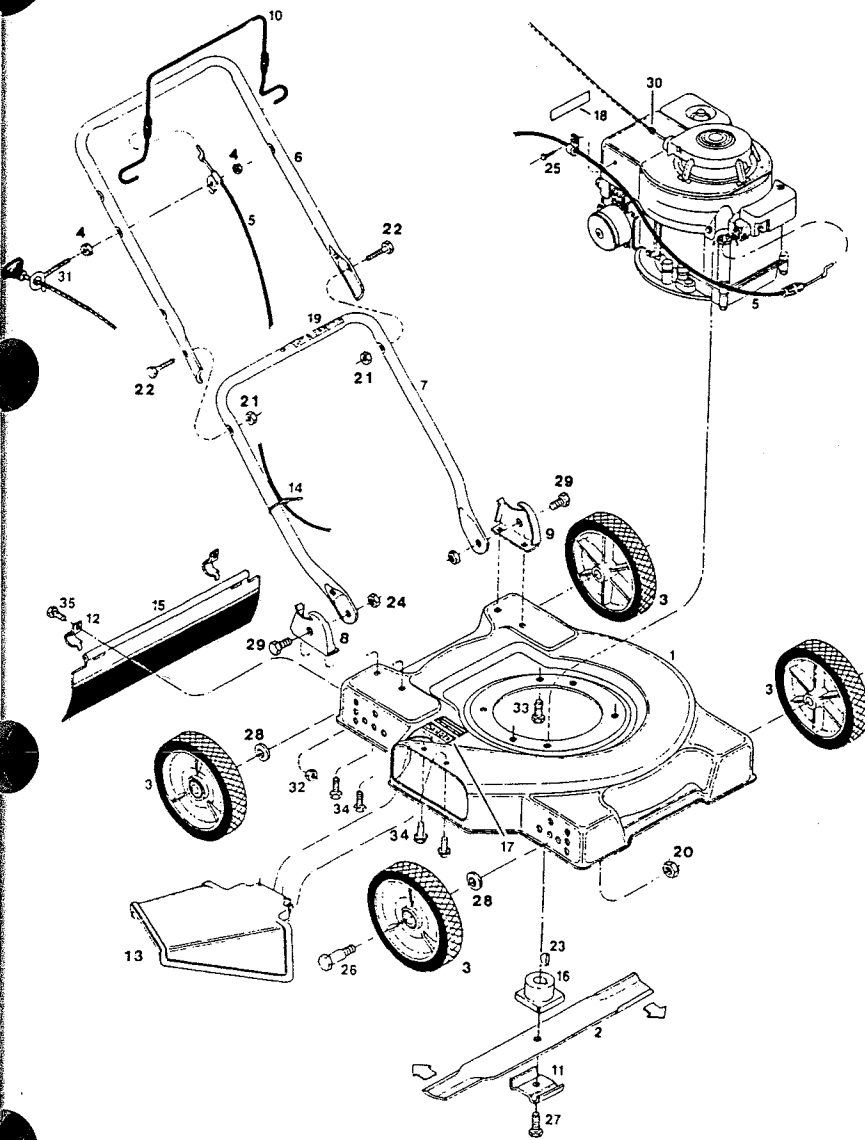


MODEL: AW9M
3.5 hp 19" CUT SIDE-DISCHARGE MOWER
 Grass Catcher Model: GC6AA
 Grass Catcher: P/N 161018
 Repl. Bag: P/N 161158



ITEM NO.	PART NO.	DESCRIPTION
1	022269	Deck 19"
2	030023	Blade - 19" Flat
3	043000	Wheel 7" Plastic
4	715037	Nut - Keps 1/4-20
5	052795	Cable - Engine/Blade Control
6	071076	Handle - Upper
7	071563	Handle - Lower
8	092684	Handle Bracket - Right Hand
9	092692	Handle Bracket - Left Hand
10	104687	Bail - Engine/Blade Control
11	164681	Washer - Conical
12	106914	Clip - Trailing Shield
13	394619	Chute Deflector Assembly
14	110379	Cable Tie
15	114389	Trailing Shield
16	094933	Blade Adapter
17	144063	Decal - C.P.S.C. Danger
18	009415	Decal - Blade Warning
19	799599	Decal - Starting Instructions
20	156406	Locknut 3/8-18 Flange Lock
21	616342	Nut - 3/8-18 Center Lock
22	157958	Bolt - 5/16-18 x 1-1/2
23	156877	Washer - Hardened
24	451492	Nut - 3/8-16 Flange Center Lock
25	150623	Self Tap Screw #10 x 5/8
26	150060	Shoulder Bolt - Wheel
27	157255	Bolt-Blade 3/8-24 x 1-1/4 Gr. 8
28	715607	Washer - Belleville
29	525121	Bolt - 3/8-16 x 5/8
30	152074	Rope Stop
31	152629	Rope Guide
32	452318	Nut #10-24 Hex Nylon Insert
33	164999	Bolt - Hex Head Self Tap 3/8-16 x 7/8
34	164998	Bolt - Self Tap 1/4-20 x 1/2
35	458687	Bolt #10-24 x 1/2

Note: Parts are right or left hand as viewed from operator position.

Specifications subject to change without prior notice.