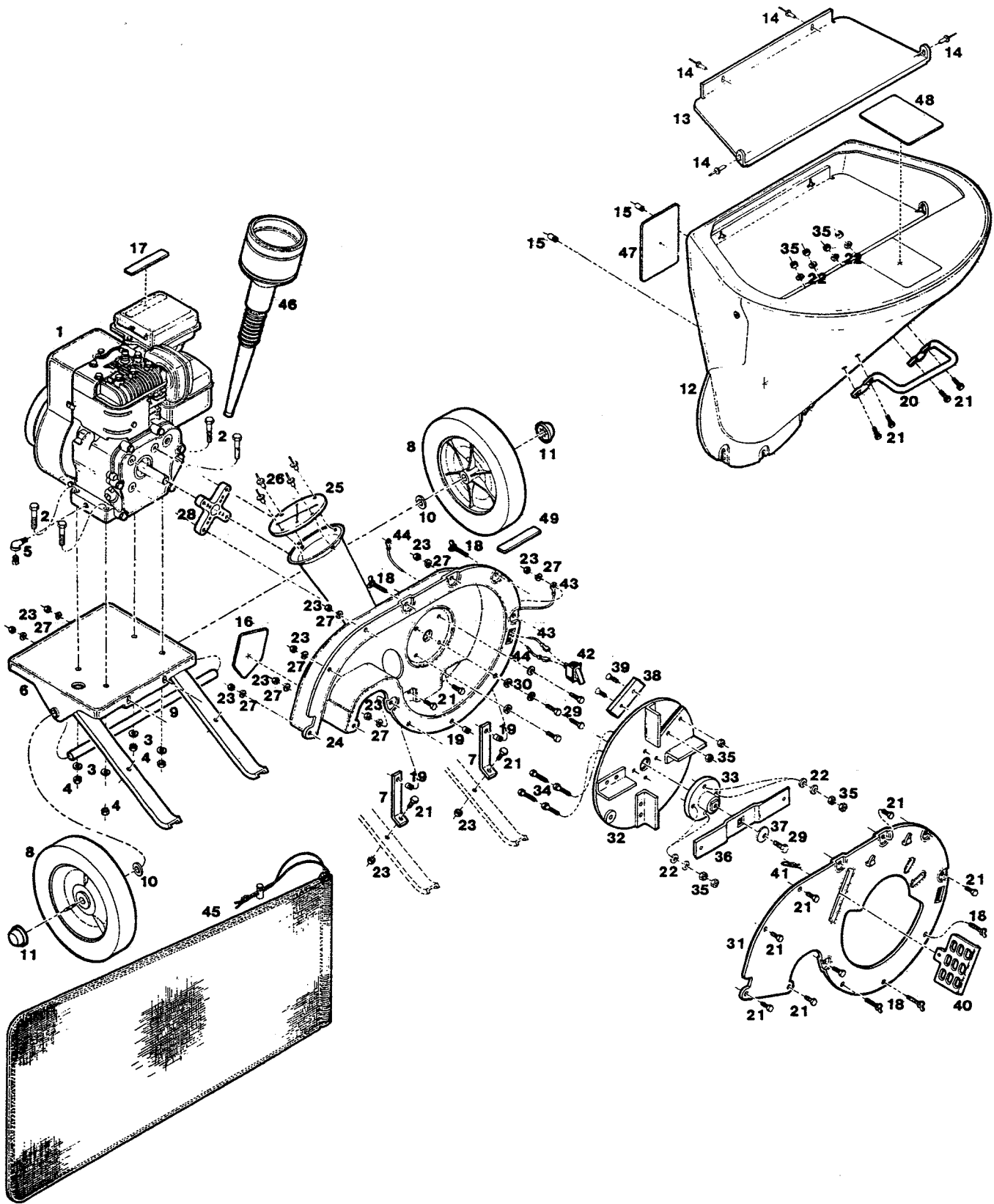


5 H.P. CYCLO-ACTION CHIPPER/SHREDDER
MODEL: AWCG5-J
AWCG5A-J



**5 H.P. CYCLO-ACTION CHIPPER/SHREDDER
MODEL: AWC5-J
AWC5A-J**

Index No.	Part No.	Description	Index No.	Part No.	Description
1	*	Engine	26	156810	Rivet-pop
2	150250	Bolt-hex 5/16-18 x 1-1/2	27	715094	Washer-split lock 1/4
3	311118	Washer-lock 5/16	28	401489	Spacer-housing to engine
4	310045	Nut-hex 5/16-18	29	382267	Bolt-hex 5/16-24 x 1
5	401687	Elbow-pipe, oil drain	30	153510	Washer-lock 5/16 int tooth
6	401133	Base-engine w/legs	31	667253	Cover-rotor
7	401638	Brace-leg	32	713743	Disc-rotor w/paddles
8	042531	Wheel-plastic w/rubber tire	33	401760	Adapter-rotor disc
9	401034	Axle-wheel	34	450353	Bolt-hex 1/4-20 x 1-1/4
10	156075	Washer-flat 1/2	35	616375	Nut-hex 1/4-20 ctr lock
11	111823	Cap-hub	36	401703	Blade-shredding
12	402073	Hopper-plastic w/baffle Includes next 3 parts	37	158055	Washer-conical lock
13	410332	Baffle-hopper	38	400267	Blade-chipper
14	381533	Rivet-pop	39	381483	Screw-flat head 1/4-20 x 3/4 cntrsnk
15		Insert-threaded	40	667188	Gate-mulching
16	401877	Decal-Discharge Area	41	401901	Hairpin cotter
17	402016	Decal-Place Free Hand Here	42	400200	Switch-safety interlock
18	382077	Screw-thumb 1/4-20 x 1-1/2	43	630467	Harness-wiring
19	401885	Insert-threaded	44	630475	Wire-ground
20	401190	Handle-hopper	45	400408	Bag-collector
21	159004	Bolt-hex 1/4-20 x 3/4	46	401620	Funnel-engine oil fill
22	615690	Washer-flat 1/4	47	400085	Decal-Keep Hands & Feet Out
23	310052	Nut-hex 1/4-20	48	400101	Decal-Do Not Use Hands
24	402032	Housing-rotor w/chipper tube Includes item 25 and 26	49	402354	Decal-Hot Surface
25	401612	Guard-chipper tube opening		400069	Goggles-safety

- This parts list covers several different models; not all of the parts listed may be used on the particular model you are working with.
- When servicing use only **Genuine Factory Replacement Parts (OEM)** that are specifically designed for the particular model that you are working with.
- Parts are right or left hand as viewed from the operator's position.
- Model specifications are subject to change without prior notice.
- **Do not operate** the chipper/shredder unless all parts are attached and in good working order.
- Hopper and/or other painted parts differing only in color may be substituted without notice.