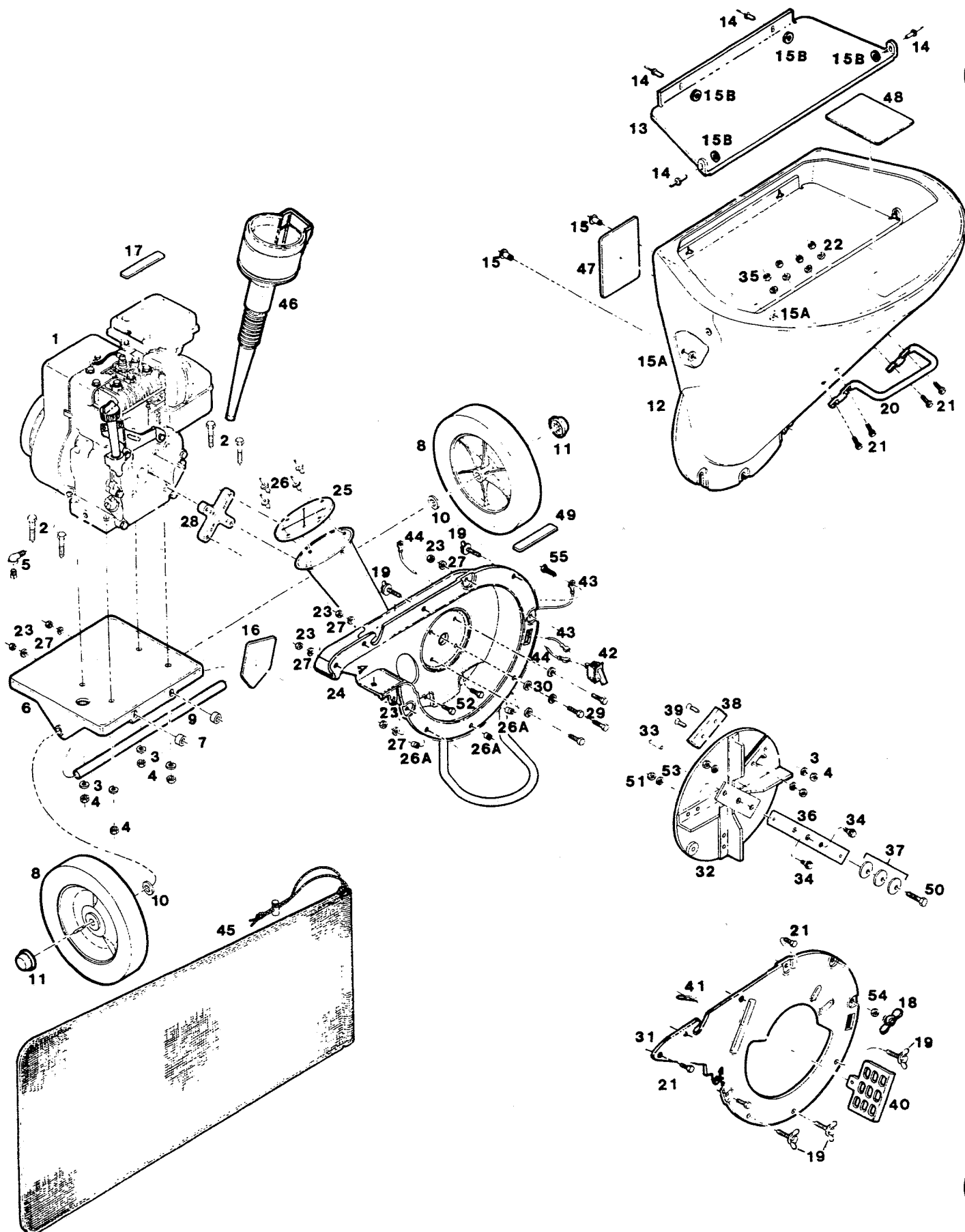


**MODEL: AWC55L - AWC55AL - AWC55RL
5 HP CHIPPER/SHREDDER**



S/N 407163 - 407320 - 407338 - 407361
 P/L 406233
 O/M 405258
 E/M

**MODEL: AWC5L - AWC5AL - AWC5RL
5 HP CHIPPER/SHREDDER**

Index No.	Part No.	Description	Index No.	Part No.	Description
1	*	Engine-4 cycle	26A	403600	Insert-threaded 1/4-20
2	150250	Bolt-hex 5/16-18 x 1-1/2	27	715094	Washer-split lock 1/4
3	311118	Washer-lock 5/16	28	403493	Spacer-housing to engine
4	310045	Nut-hex 5/16-18	29	382283	Bolt-hex 5/16-24 x 1
5	401687	Elbow-pipe, oil drain	30	153510	Washer-lock 5/16 int tooth
6	403014	Base-engine	31	405761	Cover-rotor
7	403667	Spacer-housing	32	405951	Disc-rotor w/paddles
8	042531	Wheel-plastic w/rubber tire	33	164046	Key-square 1/4 x 2-1/8
9	401034	Axle-wheel	34	382465	Bolt-shoulder 3/8-16 x 7/8
10	156075	Washer-flat 1/2	35	616375	Nut-hex 1/4-20 ctr lock
11	111823	Cap-hub	36	412049	Blade-shredding
	401398	Hopper Complete Includes items 12, 13, 14, 15, 15A, 15B, 18, 20, 21, 22, 35, 47 and 48	37	158055	Washer-conical lock
12	402073	Hopper-plastic w/baffle Includes next 5 parts	38	405829	Blade-chipper
13	405514	Baffle-hopper	39	382648	Screw-flat head 1/4-20 x 7/8 cntrsnk
14	154534	Rivet-pop	40	667188	Gate-mulching
15	**	Insert-threaded	41	401901	Hairpin cotter
15A	159921	Washer-flat 3/8	42	402743	Switch-safety interlock
15B	153734	Washer-flat 3/16	43	630467	Wire-ground, black
16	405076	Decal-Discharge Area	44	403998	Wire-connector, red
17	402016	Decal-Place Free Hand Here	45	405795	Bag-collector
18	382804	Nut-wing 1/4-20	46	405464	Funnel-engine oil fill
19	382481	Screw-wing 1/4 - 20 x 1	47	400085	Decal-Keep Hands & Feet Out
20	405472	Handle-hopper	48	400101	Decal-Do Not Use Hands
21	159004	Bolt-hex 1/4-20 x 3/4	49	402354	Decal-Hot Surface
22	615690	Washer-flat 1/4	50	382341	† Bolt-hex 3/8-24 x 1-1/4
23	310052	Nut-hex 1/4-20	51	715391	Nut-hex 3/8-16
24	406231	Housing-rotor w/chipper tube Includes item 25, 26 and 26A	52	155341	Bolt-hex 1/4-20 x 7/8
25	404152	Guard-chipper tube opening	53	150185	Washer-split lock 3/8
26	382499	Rivet-pop	54	155242	Nut-hex 1/4-20 ctr lock jam
			55	158972	Bolt-hex 1/4-20 x 1
				400069	Goggles-safety
				402701	Kit-Service, threaded inserts

** Use 402701 Service Kit for replacement

† Special bolt available only from Manufacturer.
Do not use substitute bolt.

*Contact engine manufacturer's authorized service dealer for parts and warranty.

- When servicing this unit use only genuine General Power OEM replacement parts that are specifically designed and engineered for this particular model.
- Do not operate unit unless all parts are properly attached and in good working order.
- Parts are right or left hand as viewed from the operator's position.
- Specifications are subject to change without notice.

S/N 407163 - 407320 - 407338 - 407361
P/L 406233
O/M 405258
E/M