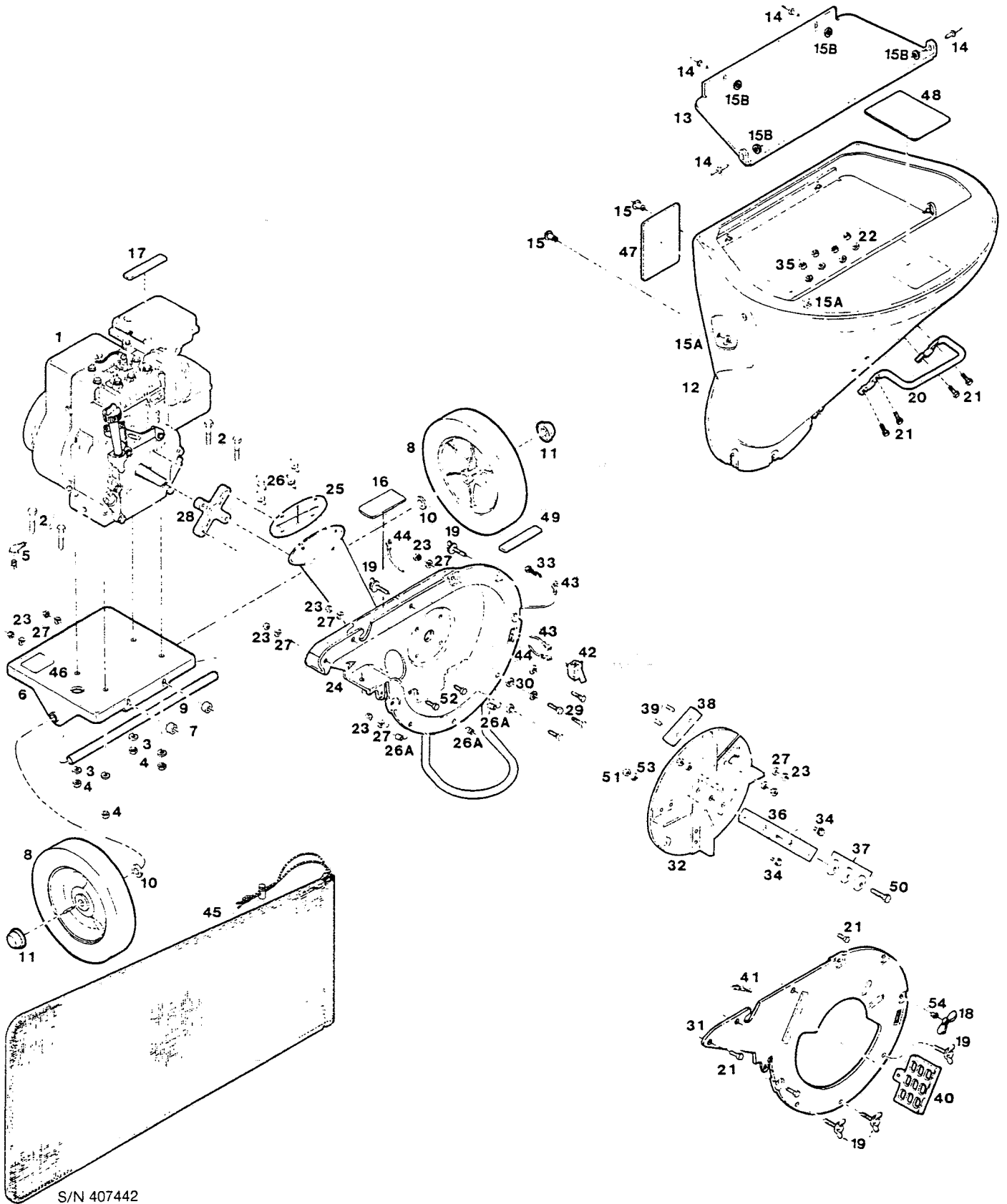


MODEL: AWC5M - CAWC5M
5 hp CHIPPER/SHREDDER



S/N 407442
 407443
 P/L 406409
 406410
 O/M 406407
 406408
 E/M,082099

MODEL: AWCG5M - CAWCG5M
5 hp CHIPPER/SHREDDER

Index No.	Part No.	Description	Index No.	Part No.	Description
1	*	Engine-4 cycle	27	715094	Washer-split lock 1/4
2	150250	Bolt-hex 5/16-18 x 1-1/2	28	403493	Spacer-housing to engine
3	311118	Washer-lock 5/16	29	382283	Bolt-hex 5/16-24 x 1
4	310045	Nut-hex 5/16-18	30	153510	Washer-lock 5/16 int tooth
5	401687	Elbow-pipe, oil drain	31	405761	Cover-rotor
6	406380	Base-engine	32	406415	Disc-rotor w/paddles
7	403667	Spacer-housing	33	158972	Bolt-hex 1/4-20 x 1
8	042531	Wheel-plastic w/rubber tire	34	382465	Bolt-shoulder 3/8-16 x 7/8
9	401034	Axle-wheel	35	616375	Nut-hex 1/4-20 ctr lock
10	156075	Washer-flat 1/2	36	412049	Blade-shredding
11	111823	Cap-hub	37	158055	Washer-conical lock
	401398	Hopper Complete	38	405829	Blade-chipper
		Includes items 12, 13, 14, 15, 15A, 15B, 18, 20, 21, 22, 35, 47 and 48	39	382648	Screw-flat head 1/4-20 x 7/8 cntrsnk
12	402073	Hopper-plastic w/baffle	40	667188	Gate-mulching
		Includes next 5 parts	41	401901	Hairpin cotter
13	405514	Baffle-hopper	42	402743	Switch-safety interlock
14	154534	Rivet-pop	43	630467	Wire-ground, black
15	**	Insert-threaded	44	403998	Wire-connector, red
15A	159921	Washer-flat 3/8	45	405795	Bag-collector
15B	153734	Washer-flat 3/16	46	795344	Decal-Made in U.S.A.
16	405076	Decal-Discharge Area	47	400085	Decal-Keep Hands & Feet Out
17	402016	Decal-Place Free Hand Here	48	400101	Decal-Do Not Use Hands
18	382804	Nut-wing 1/4-20	49	402354	Decal-Hot Surface
19	382481	Screw-wing 1/4 - 20 x 1	50	382341 †	Bolt-hex 3/8-24 x 1-1/4
20	405472	Handle-hopper	51	715391	Nut-hex 3/8-16
21	159004	Bolt-hex 1/4-20 x 3/4	52	155341	Bolt-hex 1/4-20 x 7/8
22	615690	Washer-flat 1/4	53	150185	Washer-split lock 3/8
23	310052	Nut-hex 1/4-20	54	155242	Nut-hex 1/4-20 ctr lock jam
24	406231	Housing-rotor w/chipper tube	--	400069	Goggles-safety
		Includes item 25, 26 and 26A	--	402701	Kit-Service, threaded inserts
25	404152	Guard-chipper tube opening	--	615609	Bolt-hex 1/2-20 x 1-1/2 (in bag) (Use as pusher bolt when removing rotor from engine shaft.)
26	382499	Rivet-pop			
26A	403600	Insert-threaded 1/4-20			

** Use 402701 Service Kit for replacement

† Special bolt available only from Manufacturer.
Do not use substitute bolt.

S/N 407442
407443
P/L 406409
406410
O/M 406407
406408
E/M 082099