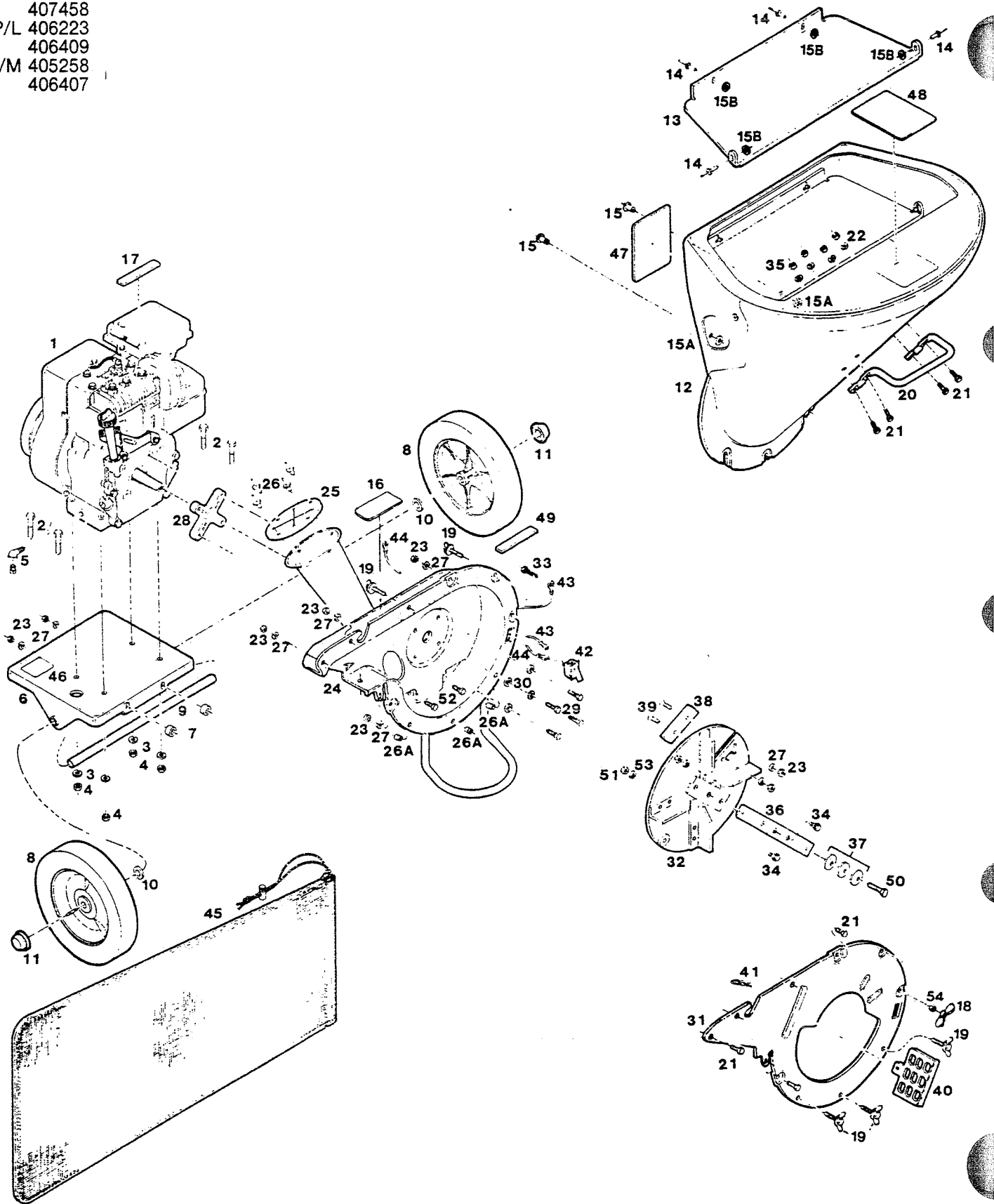


/ MODELS: AWCG5-N AWCG5A-N

S/N 407442
 407458
 P/L 406223
 406409
 O/M 405258
 406407



S/N 407442
 407458
 P/L 406223
 406409
 O/M 405258
 406407

PARTS LIST

5 H. P. CHIPPER/SHREDDER

Index No.	Part No.	Description	Index No.	Part No.	Description
1	*	Engine-4 cycle	27	715094	Washer-split lock 1/4
2	150250	Bolt-hex 5/16-18 x 1-1/2	28	403493	Spacer-housing to engine
3	311118	Washer-lock 5/16	29	382283	Bolt-hex 5/16-24 x 1
4	310045	Nut-hex 5/16-18	30	153510	Washer-lock 5/16 int tooth
5	401687	Elbow-pipe, oil drain	31	405761	Cover-rotor
6	406380	Base-engine	32	406415	Disc-rotor w/paddles
7	403667	Spacer-housing	33	158972	Bolt-hex 1/4-20 x 1
8	042531	Wheel-plastic w/rubber tire	34	382465	Bolt-shoulder 3/8-16 x 7/8
9	401034	Axle-wheel	35	616375	Nut-hex 1/4-20 ctr lock
10	156075	Washer-flat 1/2	36	412049	Blade-shredding
11	111823	Cap-hub	37	158055	Washer-conical lock
	401398	Hopper Complete Includes items 12, 13, 14, 15, 15A, 15B, 18, 20, 21, 22, 35, 47 and 48	38	405829	Blade-chipper
12	402073	Hopper-plastic w/baffle Includes next 5 parts	39	382648	Screw-flat head 1/4-20 x 7/8 cntrs nk
13	405514	Baffle-hopper	40	667188	Gate-mulching
14	154534	Rivet-pop	41	401901	Hairpin cotter
15	**	Insert-threaded	42	402743	Switch-safety interlock
15A	159921	Washer-flat 3/8	43	630467	Wire-ground, black
15B	153734	Washer-flat 3/16	44	403998	Wire-connector, red
16	405076	Decal-Discharge Area	45	405795	Bag-collector
17	402016	Decal-Place Free Hand Here	46	795344	Decal-Made in U.S.A.
18	382804	Nut-wing 1/4-20	47	400085	Decal-Keep Hands & Feet Out
19	382481	Screw-wing 1/4 - 20 x 1	48	400101	Decal-Do Not Use Hands
20	405472	Handle-hopper	49	402354	Decal-Hot Surface
21	159004	Bolt-hex 1/4-20 x 3/4	50	382341	† Bolt-hex 3/8-24 x 1-1/4
22	615690	Washer-flat 1/4	51	715391	Nut-hex 3/8-16
23	310052	Nut-hex 1/4-20	52	155341	Bolt-hex 1/4-20 x 7/8
24	406231	Housing-rotor w/chipper tube Includes item 25, 26 and 26A	53	150185	Washer-split lock 3/8
25	404152	Guard-chipper tube opening	54	155242	Nut-hex 1/4-20 ctr lock jam
26	382499	Rivet-pop	--	400069	Goggles-safety
26A	403600	Insert-threaded 1/4-20	--	402701	Kit-Service, threaded inserts
			--	615609	Bolt-hex 1/2-20 x 1-1/2 (in bag) (Use as pusher bolt when removing rotor from engine shaft.)

** Use 402701 Service Kit for replacement

† Special bolt available only from Manufacturer.
 Do not use substitute bolt.

*Contact engine manufacturer's authorized service dealer for parts and warranty.



THOROUGHLY READ OPERATOR'S MANUAL AND COMPLETELY ASSEMBLE ALL LOOSE PARTS BEFORE OPERATING CHIPPER.