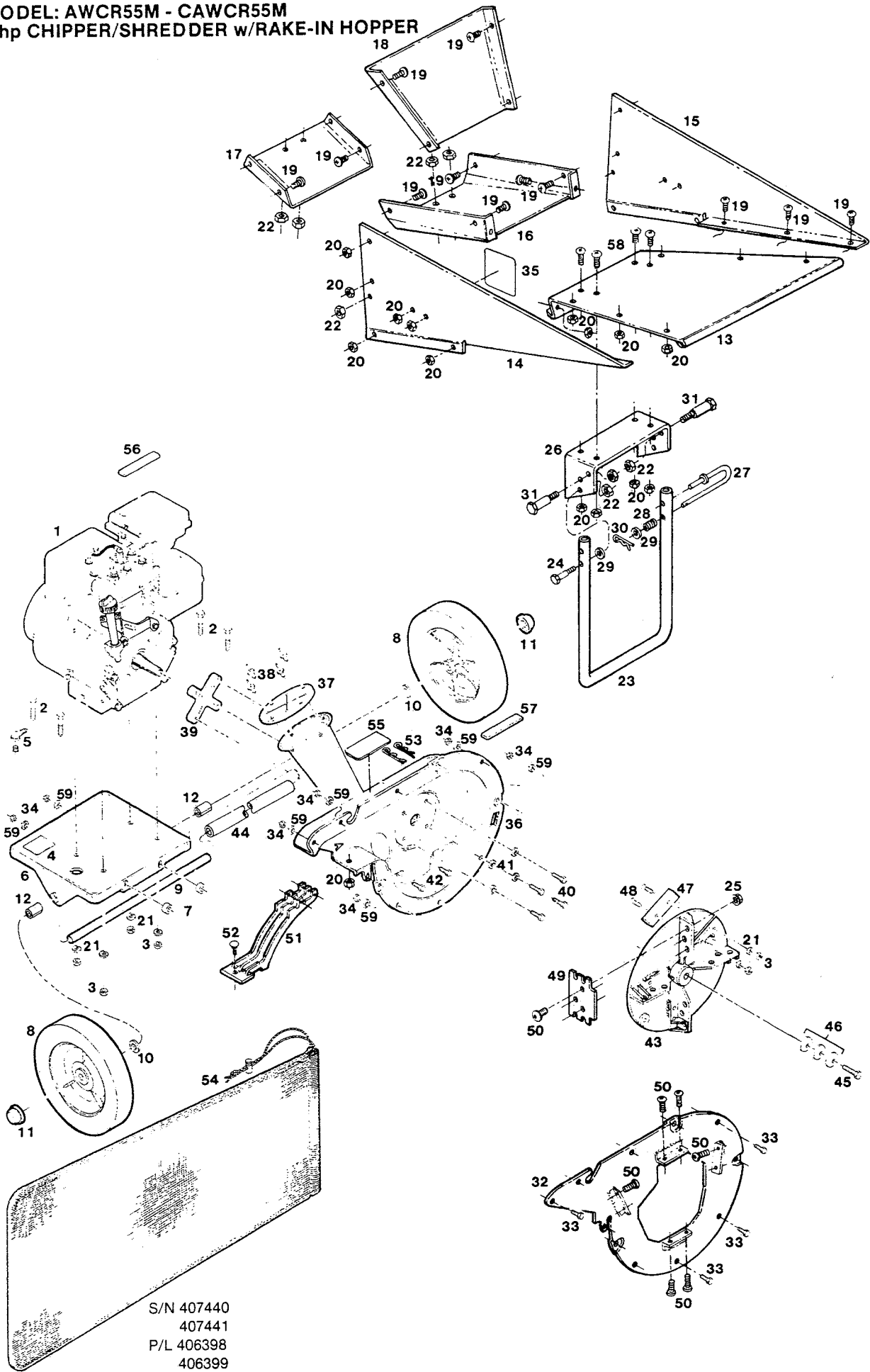


**MODEL: AWCR55M - CAWCR55M**  
**5 hp CHIPPER/SHREDDER w/RAKE-IN HOPPER**



S/N 407440  
 407441  
 P/L 406398  
 406399  
 O/M 406407  
 406408  
 E/M 082099

MODEL: AWCR55M - CAWCR55M  
5 hp CHIPPER/SHREDDER w/RAKE-IN HOPPER

Index No.	Part No.	Description	Index No.	Part No.	Description
1		*Engine - 4 cycle	35	400101	Decal - Do Not Use Hands
2	150250	Bolt-hex 5/16-18 x 1-1/2	36	405589	Housing-rotor w/chipper tube Includes item 37 & 38
3	310045	Nut-hex 5/16-18	37	404152	Guard-chipper tube opening
4	795344	Decal - Made in U.S.A.	38	382499	Rivet-pop 3/16 x 7/16
5	401687	Elbow-pipe, oil drain	39	403493	Spacer-housing to engine
6	406324	Base-engine	40	382283	Bolt-hex 5/16 - 24 x 1
7	403667	Spacer-housing to base	41	153510	Washer-lock 5/16 int tooth
8	042531	Wheel-plastic w/rubber tire	42	155341	Bolt-hex 1/4 - 20 x 7/8
9	404251	Axle-wheel	43	406383	Disc-rotor w/paddles
10	156075	Washer-flat 1/2	44	406369	Tube-axle cover
11	111823	Cap-hub	45	382341	† Bolt-hex 3/8-24 x 1 1/4
12	154203	Spacer-wheel	46	158055	Washer-conical lock
13	405068	Tray-hopper bottom	47	405829	Blade-chipper
14	405357	Tray-hopper side LH	48	382648	Screw-flat head 5/16-18 x 1 cntrsnk
15	405373	Tray-hopper side RH	49	405555	Blade-scrapers
16	405498	Tray-bottom rear	50	382572	Screw-Allen 5/16-18 x 3/4
17	405456	Plate-support, hopper sides	51	405530	Bar-mulcher
18	405084	Baffle-hopper	52	150011	Bolt-carriage 1/4-20 x 5/8
19	382556	Screw-Phillips 1/4-20 x 1/2	53	382614	Hairpin cotter
20	452615	Nut-hex 1/4-20 nylok	54	404202	Bag-collector
21	311118	Lockwasher-5/16	55	405076	Decal-Discharge Area
22	310151	Nut-hex 5/16-18 nylok	56	402016	Decal-Place Free Hand Here
23	405423	Stand-hopper, U-shaped	57	402354	Decal-Hot surface
24	382598	Bolt-shoulder 5/16-18 x 1 7/8	58	382564	Screw - Phillips 1/4-20 x 3/4
25	157610	Nut - Flange Lock 5/16-18	59	715094	Washer-split lock 1/4
26	405431	Bracket-hopper stand	--	401356	Decal-Cyclo-Action
27	404582	Pin-stand lock	--	406347	Decal-User tips
28	775247	Spring-lock pin	--	400069	Goggles-safety
29	715185	Washer-flat 5/16	--	615609	Bolt-hex 1/2-20 x 1-1/2 (in parts bag) (Use as pusher bolt when removing rotor from engine shaft.)
30	715011	Hairpin cotter	--	407436	Kit-towbar (optional)
31	381665	Bolt-shoulder 5/16-18 x 2			
32	404483	Cover-rotor housing			
33	449587	Bolt-hex 1/4-20 x 5/8			
34	310052	Nut-hex 1/4-20			

\*Contact engine manufacturer's authorized service dealer for parts and warranty.

† Special bolt available only from Manufacturer.  
Do not use substitute bolt.

S/N 407440  
407441  
P/L 406398  
406399  
O/M 406407  
406408  
E/M 082099