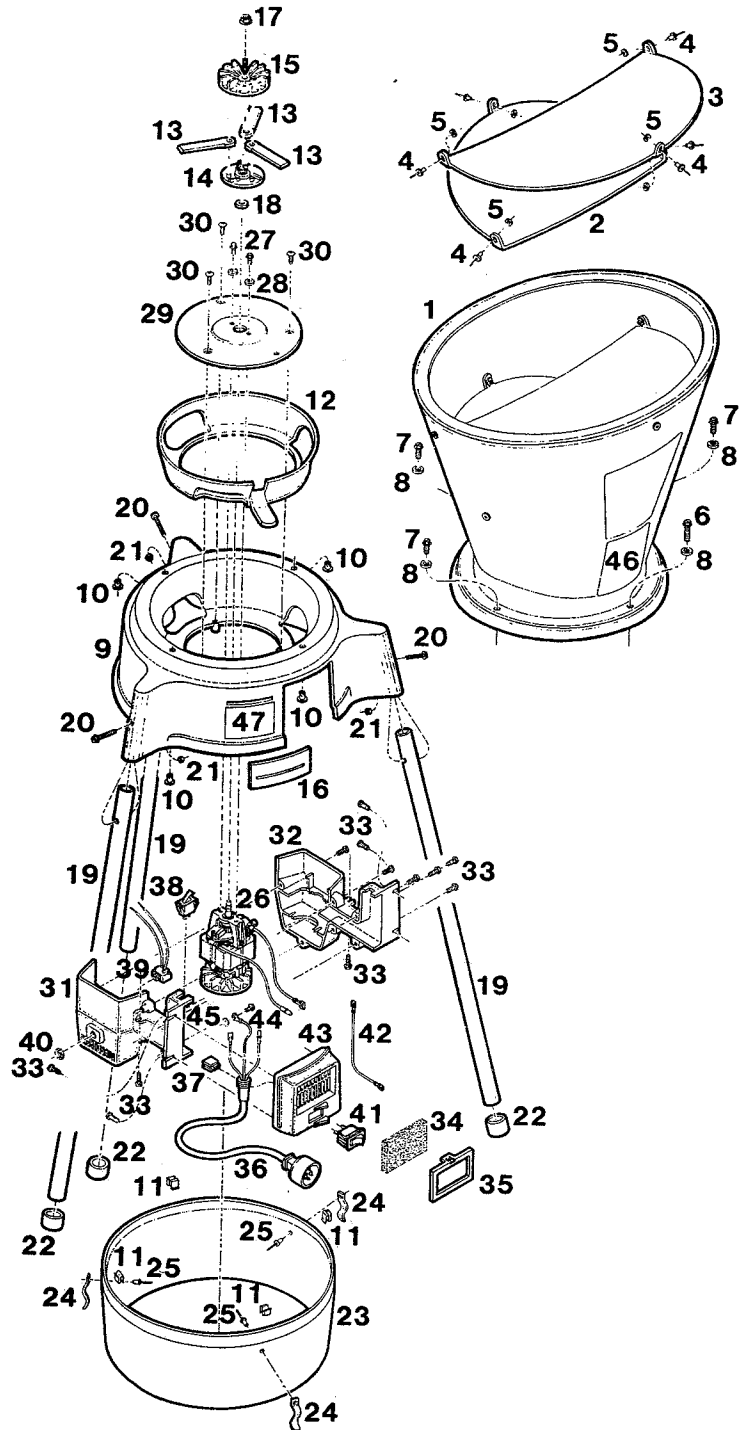


ORBITAL-ACTION ELECTRIC LEAF SHREDDER MODEL: AWLS-J

Index No.	Part No.	Description
1	400945	Hopper-Plastic w/Baffles (Includes next 4 parts)
2	400788	Baffle-Lower
3	400770	Baffle-Upper
4	764217	Rivet-Pop 1/8 x 3/8
5	462051	Washer-Flat
6	381129	Screw-Hex Flange 1/4-20 x 1-3/8
7	381145	Screw-Hex Flange 1/4-20 x 3/4
8	158956	Washer-Flat 1/4
9	713735	Base-Plastic w/Threaded Inserts
10	381137	Insert-Threaded 1/4-20
11	381285	Clip-Retainer
12	400572	Bowl-Mulcher w/Lever
13	400606	Blade-Cutting (Plastic)
14	400598	Hub-Blades w/Pins, Lower
15	401547	Hub-Blade Retaining, Upper
16	616323	Strip-Rubber, Mulcher Lever
17	157610	Nut-Hex Lock 5/16-18 Flange
18	400705	Washer-Threaded 5/16-18
19	400762	Leg-Mulcher
20	459370	Screw-Slotted #10-24 x 1-1/2
21	452318	Nut-Hex #10-24 Nylok
22	400374	Tip-Leg Bottom
23	400986	Skirt-Plastic w/Bag Clips
24	381202	Clip-Bag Retainer
25	715276	Rivet-Pop
26	400481	Motor-Electric
27	150326	Screw-Hex Slotted #10-24 x 1/2
28	381376	Washer-Lock 3/16 Int Tooth
29	400564	Plate-Motor Mount
30	381384	Screw-Pan Hd #10 x 3/4
31	400465	Housing-Motor LH w/opening
32	400473	Housing-Motor RH
33	381210	Screw-Plastite #10 x 3/4
34	400499	Filter-Air
35	400812	Retainer-Filter
36	400549	Cord-Electric w/Plug
37	400838	Retainer-Cord
38	400523	Switch-Safety Interlock
39	400531	Circuit Breaker
40	159251	Nut-Circuit Breaker 7/16-32
41	400515	Switch-Power On/Off
42	400853	Wire-Lead
43	400507	Housing-Switch and Filter
44	381301	Screw-Slotted #6-32 x 3/8
45	462226	Washer-Lock #6 Int Tooth
46	400663	Decal-Warning
47	401604	Decal-Instructions
--	401117	Decal-Instructions
--	400069	Goggles



- This parts list covers several different models; not all of the parts listed may be used on the particular model you are working with.
- When servicing use only **Genuine Factory Replacement Parts (OEM)** that are specifically designed for the particular model that you are working with.
- Parts are right or left hand as viewed from the operator's position.
- Model specifications are subject to change without prior notice.
- **Do not operate** the leaf mulcher unless all parts are attached and in good working order.
- Hopper and/or other painted parts differing only in color may be substituted without notice.