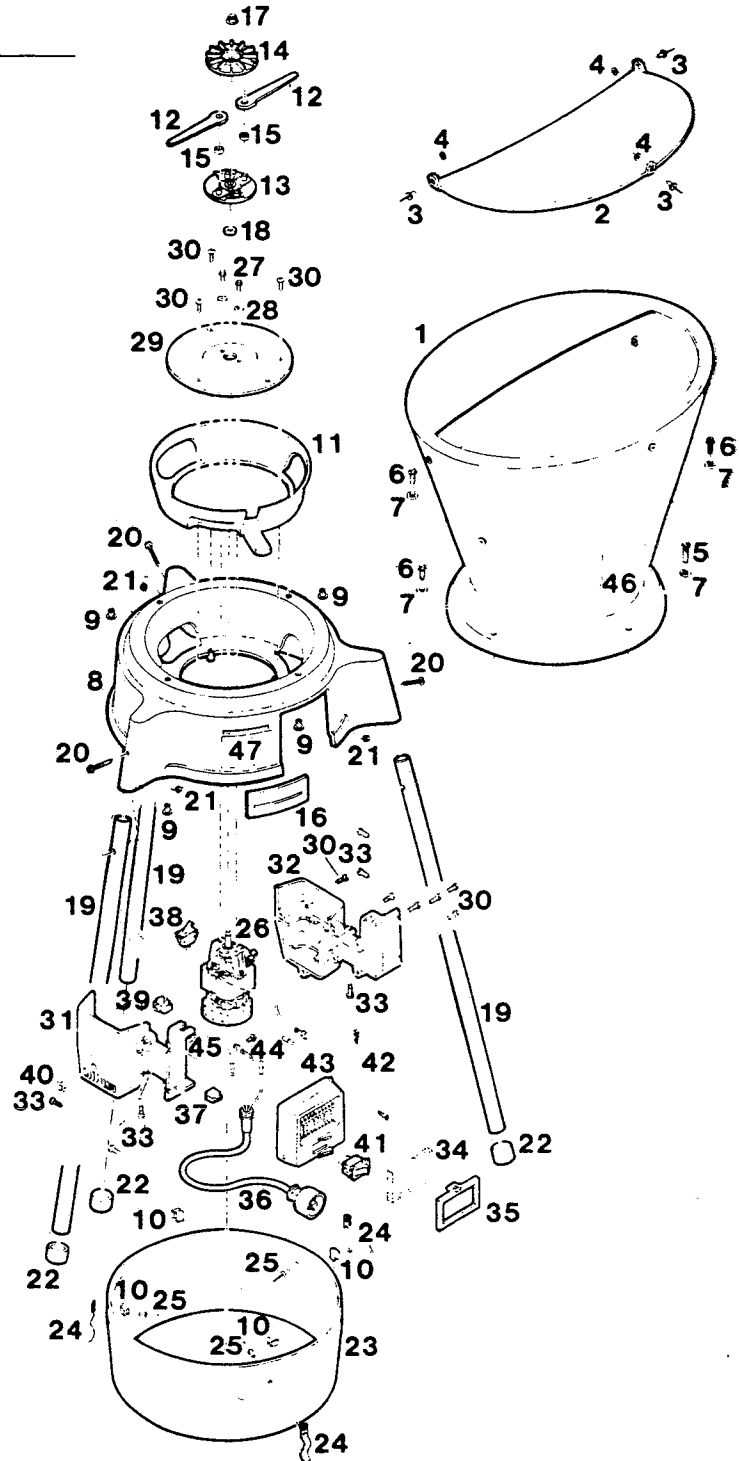


MODEL AWLSK ORBITAL ACTION ELECTRIC LEAF MULCHER

| Index No. | Part No. | Description |
|-----------|----------|--|
| 1 | 402925 | Hopper-Plastic w/Baffle (Includes next 3 parts) |
| 2 | 400770 | Baffle Hopper |
| 3 | 764217 | Rivet-Pop 1/8 x 3/8 |
| 4 | 462051 | Washer-Flat |
| 5 | 381129 | Screw-Hex Flange 1/4-20 x 1-3/8 |
| 6 | 381145 | Screw-Hex Flange 1/4-20 x 3/4 |
| 7 | 158956 | Washer-Flat 1/4 |
| 8 | 713735 | Base-Plastic w/Threaded Inserts |
| 9 | 381137 | Insert-Threaded 1/4-20 |
| 10 | 381285 | Clip-Retainer |
| 11 | 400572 | Bowl-Mulcher w/Lever |
| 12 | 402289 | Blade-Cutting (Plastic) |
| 13 | 402321 | Hub-Blades w/Pins, Lower |
| 14 | 402263 | Hub-Blade Retaining, and Fan |
| 15 | 401810 | Bushing - blades |
| 16 | 401836 | Strip-Rubber, Mulcher Lever |
| 17 | 157610 | Nut-Hex Lock 5/16-18 Flange |
| 18 | 400705 | Washer-Threaded 5/16-18 |
| 19 | 400762 | Leg-Mulcher |
| 20 | 459370 | Screw-Slotted #10-24 x 1-1/2 |
| 21 | 452318 | Nut-Hex #10-24 Nylok |
| 22 | 400374 | Tip-Leg Bottom |
| 23 | 402958 | Skirt-Plastic w/Bag Clips |
| 24 | 401950 | Clip-Bag Retainer |
| 25 | 715276 | Rivet-Pop |
| 26 | 400481 | Motor-Electric |
| 27 | 150326 | Screw-Hex Slotted #10-24 x 1/2 |
| 28 | 381376 | Washer-Lock 3/16 Int Tooth |
| 29 | 400564 | Plate-Motor Mount |
| 30 | 381384 | Screw-Phillips Hd #10 x 3/4 |
| 31 | 401851 | Housing-Motor LH w/opening |
| 32 | 401869 | Housing-Motor RH |
| 33 | 381210 | Screw-Plastite #10 x 3/4 |
| 34 | 400499 | Filter-Air |
| 35 | 400812 | Retainer-Filter |
| 36 | 400549 | Cord-Electric w/Plug |
| 37 | 400838 | Retainer-Cord |
| 38 | 400523 | Switch-Safety Interlock |
| 39 | 400531 | Circuit Breaker |
| 40 | 159251 | Nut-Circuit Breaker 7/16-32 |
| 41 | 400515 | Switch-Power On/Off |
| 42 | 400853 | Wire-Lead |
| 43 | 400507 | Housing-Switch and Filter |
| 44 | 381301 | Screw-Slotted #6-32 x 3/8 |
| 45 | 462226 | Washer-Lock #6 Int Tooth |
| 46 | 400663 | Decal-Warning |
| 47 | 401604 | Decal-Instructions |
| -- | 401117 | Decal-Instructions |
| -- | 400069 | Goggles |
| -- | 402677 | Kit-Blades (6) & Bushings (3) |



- This parts list covers several different models; not all of the parts listed may be used on the particular model you are working with.
- When servicing use only **Genuine Factory Replacement Parts (OEM)** that are specifically designed for the particular model that you are working with.
- Parts are right or left hand as viewed from the operator's position.
- Model specifications are subject to change without prior notice.
- **Do not operate** the chipper/shredder unless all parts are attached and in good working order.
- Hopper and/or other painted parts differing in color may be substituted without notice.