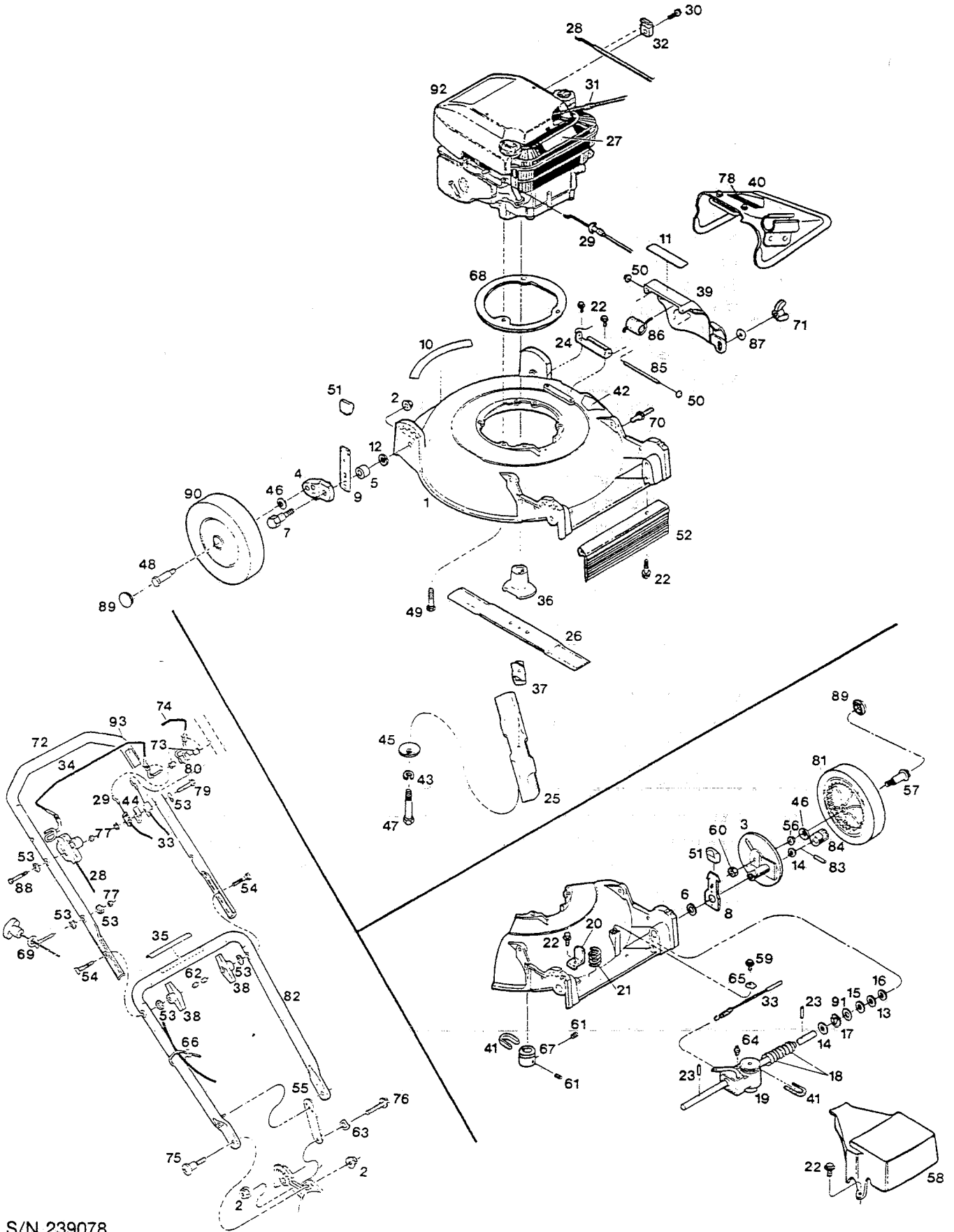


MODEL: AWPCM20P/5.5-N



S/N 239078  
P/L 082921  
O/M 082920

| INDEX NO. | PART NO. | DESCRIPTION                       | INDEX NO. | PART NO. | DESCRIPTION                       |
|-----------|----------|-----------------------------------|-----------|----------|-----------------------------------|
| 1         | 023843   | Deck - 20"                        | 47        | 382846   | Bolt - 3/8-24 x 3-1/2" HHCS Gr. 8 |
| 2         | 159236   | Nut - 5/16-18 flg. lock           | 48        | 166741   | Bolt - wheel                      |
| 3         | 095304   | Drive wheel support ass'y         | 49        | 382881   | Bolt - 3/8-16 x 1-3/4" HHCS Gr. 5 |
| 4         | 095531   | Wheel arm                         | 50        | 452128   | Nut - 1/4 push-on                 |
| 5         | 581274   | Spacer - front hgt. adj.          | 51        | 579717   | Plastic tip - height adjuster     |
| 6         | 581477   | Spacer - rear hgt. adj.           | 52        | 115468   | Trailing shield - plastic         |
| 7         | 166730   | Bolt - height adjuster            | 53        | 150201   | Washer - 5/16 curved              |
| 8         | 588449   | Setting lever assy R.H. rear      | 54        | 151936   | Bolt - handle                     |
|           | 588450   | Setting lever assy L.H. rear      | 55        | 095176   | Handle support                    |
| 9         | 588451   | Setting lever assy. R.H. front    | 56        | 581584   | Washer - 3/8" flat                |
|           | 588452   | Setting lever assy. L.H. front    | 57        | 166743   | Bolt - Wheel, rear                |
| 10        | 799562   | Decal - logo 20"                  | 58        | 582757   | Drive cover                       |
| 11        | 799505   | Decal - danger mulch cover        | 59        | 158089   | Screw - 1/4-20 x 1/2" hex hd. tap |
| 12        | 715185   | Washer - 5/16" flat               | 60        | 156406   | Nut - hex 3/8-16 flange lock      |
| 13        | 579094   | Washer - shim                     | 61        | 583085   | Set screw 1/4-20 x 3/8"           |
| 14        | 580632   | Washer - 9/16" flat               | 62        | 110064   | Cap - bolt end, plastic           |
| 15        | 581005   | Washer - 9/16" flat               | 63        | 583302   | Washer                            |
| 16        | 583308   | Washer - 9/16" wave               | 64        | 586247   | Vent - transmission               |
| 17        | 583355   | E-ring                            | 65        | 586626   | Clamp - drive cable               |
| 18        | 115451   | Dust shield - plastic             | 66        | 587059   | Cable tie                         |
| 19        | 166611   | Transmission                      | 67        | 095218   | Drive pulley                      |
| 20        | 581501   | Bracket - gear box                | 68        | 023883   | Engine ring                       |
| 21        | 581581   | Spring - compression              | 69        | 152371   | Eyebolt - 1/4-20                  |
| 22        | 583021   | Screw - 1/4-20 x 3/4" hes hd. tap | 70        | 587992   | Stud - 1/4-20 x 3/4"              |
| 23        | 583400   | Roll pin - 1/8 x 7/8              | 71        | 587998   | Wing nut - 1/4-20 nylon insert    |
| 24        | 095003   | Bracket - hinge                   | 72        | 073411   | Handle - upper                    |
| 25        | 031420   | Blade - 20"                       | 73        | 588463   | Bushing - drive bail              |
| 26        | 031421   | Blade - recut 20"                 | 74        | 588474   | Sleeve - drive bail               |
| 27        | 009415   | Decal - blade warning             | 75        | 588491   | Bolt - handle mtg.                |
| 28        | 053105   | Control - throttle w/cable        | 76        | 588499   | Bolt - handle supt.               |
| 29        | 053048   | Cable - engine/blade control      | 77        | 715037   | Nut - 1/4-20 hex keps             |
| 30        | 150623   | Screw - #10-16 x 5/8" tap         | 78        | 144063   | Decal - DANGER                    |
| 31        | 152074   | Rope stop                         | 79        | 153874   | Bolt - hex 1/4-20 x 2-1/4"        |
| 32        | 157552   | Cable clamp                       | 80        | 095202   | Bail - ground drive control       |
| 33        | 053105   | Cable - traction control          | 81        | 043234   | Wheel - 8" x 2", rear             |
| 34        | 095200   | Bail - engine/blade control       | 82        | 588807   | Handle - lower                    |
| 35        | 799599   | Decal - starting instructions     | 83        | 589363   | Drive pin                         |
| 36        | 095217   | Adapter - blade with key          | 84        | 589417   | Pinion R.H.                       |
| 37        | 094911   | Spacer - blade                    |           | 589418   | Pinion L.H.                       |
| 38        | 115540   | Wing nut - plastic                | 85        | 604081   | Rod hinge                         |
| 39        | 115329   | Cover - mulch 20"                 | 86        | 604082   | Spring - mulch cover              |
| 40        | 115360   | Chute deflector assembly          | 87        | 615690   | Washer - 1/4" flat                |
| 41        | 116780   | V-belt                            | 88        | 150433   | Bolt - 1/4-20 x 1-3/4"            |
| 42        | 143115   | Decal - CPSC danger               | 89        | 043254   | Hubcap                            |
| 43        | 156919   | Washer - 3/8" lock H.D.           | 90        | 043231   | Wheel - 8"                        |
| 44        | 115337   | Spacer - cable mount              | 91        | 586266   | Washer - thrust                   |
| 45        | 164681   | Washer - 3/8" conical             | 92        | -        | Engine                            |
| 46        | 715607   | Washer - Belleville               | 93        | 794412   | Decal - engage/disengage          |

\* Contact engine manufacturer s authorized service dealer for parts and warranty

**WARNING** DO NOT OPERATE YOUR MOWER UNLESS ALL PARTS ARE ATTACHED AND IN GOOD WORKING ORDER. KEEP YOUR MOWER IN GOOD REPAIR AT ALL TIMES.

**WARNING** WHEN SERVICING USE ONLY GENUINE FACTORY REPLACEMENT PARTS THAT ARE SPECIFICALLY FOR YOUR PARTICULAR MODEL.

NOTE PARTS ARE RIGHT OR LEFT HAND AS VIEWED FROM THE OPERATOR POSITION  
SPECIFICATIONS SUBJECT TO CHANGE WITHOUT PRIOR NOTICE.

S/N 239078  
P/L 082921  
O/M 082920