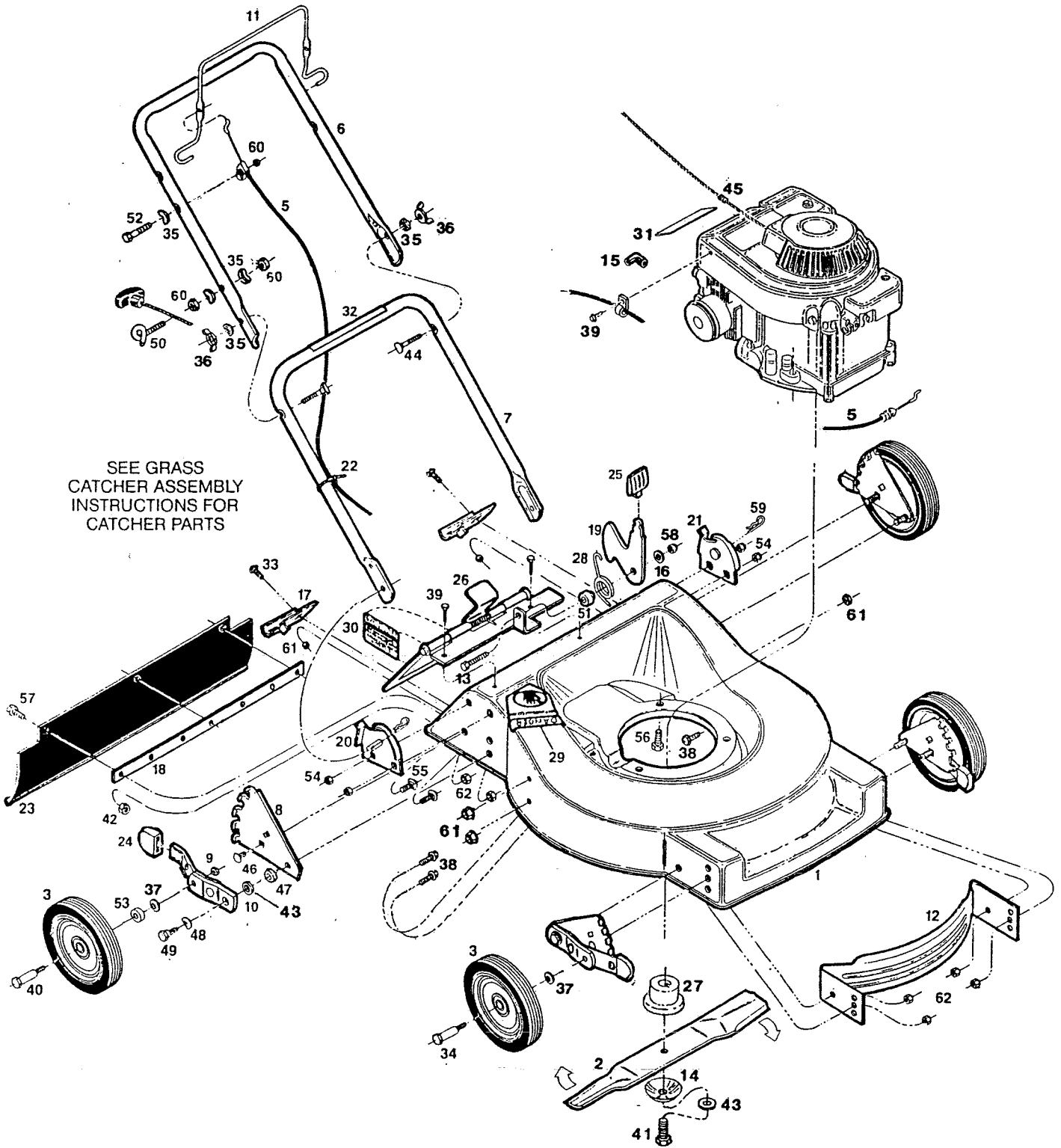


**MODEL: AWRB21M**  
**3.5 hp 21" CUT REAR-BAGGING MOWER**  
 Grass Catcher Included - see page 43



S/N 239869  
 P/L 082630  
 O/M 082602  
 E/M 082689

**MODEL: AWRB21M**  
**3.5 hp 21" CUT REAR-BAGGING MOWER**  
 Grass Catcher Included - see page 43

Index No.	Part No.	Description	Index No.	Part No.	Description
1	023291	Deck 21" Rear Bagger - Red	30	795039	Decal—Door Warning
	023119	Deck 21" Rear Bagger - Green	31	009415	Decal—Blade Warning
2	031377	Blade 21" Offset	32	799599	Decal—Starting Instructions
3		Wheel Assemblies*	33	150011	Bolt—Carriage 1/4-20 x 5/8 Gr. 5
	043018	8" Plastic-White-Diamond	34	382325	Shoulder Bolt—Front—for Plastic Wheels
	042911	8" Steel-White-Diamond	35	150201	Washer—Curved 5/16
4	053044	Control—Throttle w/cable	36	150235	Wing Nut
5	052787	Cable—Engine/Blade Control	37	715607	Washer—Belleville
6	071076	Handle—Upper	38	156851	Bolt—1/4 - 20 x 3/8 Shaved Hd.
	071084	Handle—Upper with Cushion Grip*	39	150623	Screw—Hex Head Sheet Metal #10x5/8
7	071449	Handle—Lower	40	382333	Bolt—Wheel Rear
8	093104	Back Plate—Height Adjuster	41	157255	Bolt—Blade 3/8-24 x 1 1/4"
9	715524	Locknut—3/8-16 Jam	42	452318	Nut #10-24 Hex Nylon Insert
10	093088	Wheel Arm Assembly	43	156877	Washer—3/8 Hardened
11	104687	Bail—Engine/Blade Control	44	151928	Bolt—Curved Head Crg 5/16-18 x 1 3/4
12	092825	Baffle—Front	45	152074	Rope Stop
13	715292	Bolt—Hex Hd 1/4-20 x 1	46	152405	Bolt—Carriage 3/8-16 x 3/4
14	164681	Blade Washer—Conical	47	156182	Washer—Plastic-Height Adjuster
15	110833	Cover—Spark Plug	48	152421	Washer—Spring-Height Adjuster
16	715300	Washer - 1/4	49	156125	Shoulder Bolt—Height Adjuster
17	109546	Catcher Frame Bracket	50	152371	Rope Guide
18	109496	Backing Strip—Trailing Shield	51	152637	Spacer—Catcher Latch
19	108324	Catcher Latch	52	150433	Bolt—1/4-20 x 2
20	093054	Handle Bracket—Right Hand	53	152686	Spacer—Rear Wheel
21	093062	Handle Bracket—Left Hand	54	310151	Locknut—5/16-18 Nylock
22	110379	Cable Tie	55	450346	Bolt—Hex 5/16-18 x 3/4
23	111633	Trailing Shield	56	164999	Bolt—3/8-16 x 7/8 Thread Forming
24	110510	Plastic Tip—Height Adjuster	57	458687	Bolt—Hex Head 10-24 x 1/2
25	111724	Knob—Catcher Latch	58	715508	Locknut—14 - 20 Top
26	013706	Door Assembly	59	715011	Hitch Pin #3
27	094933	Blade Adapter	60	715037	Locknut—1/4-20 Keps
28	133371	Torsion Spring—Catcher Latch	61	715078	Nut—1/4-20 Flange Whiz
29	143115	Decal—Danger	62	156406	Nut—3/8-16 Flange Lock

\*INDICATES OPTIONAL EQUIPMENT

\*INDICATES OPTIONAL EQUIPMENT