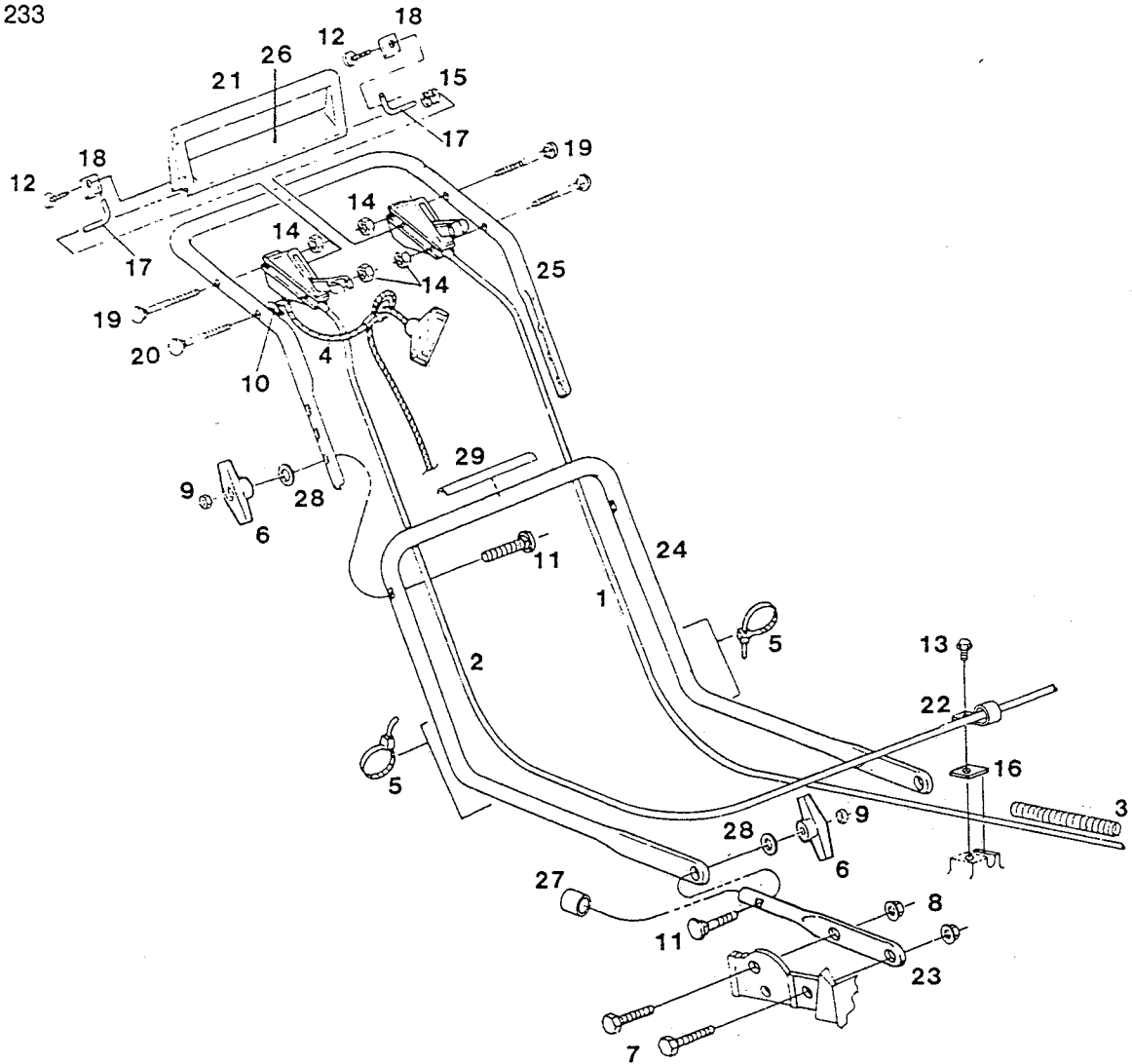


MODEL: CAPSB21/5M
5 hp 21" CUT REAR-BAGGING MOWER
 Grass Catcher Included
 See page 233



INDEX PART

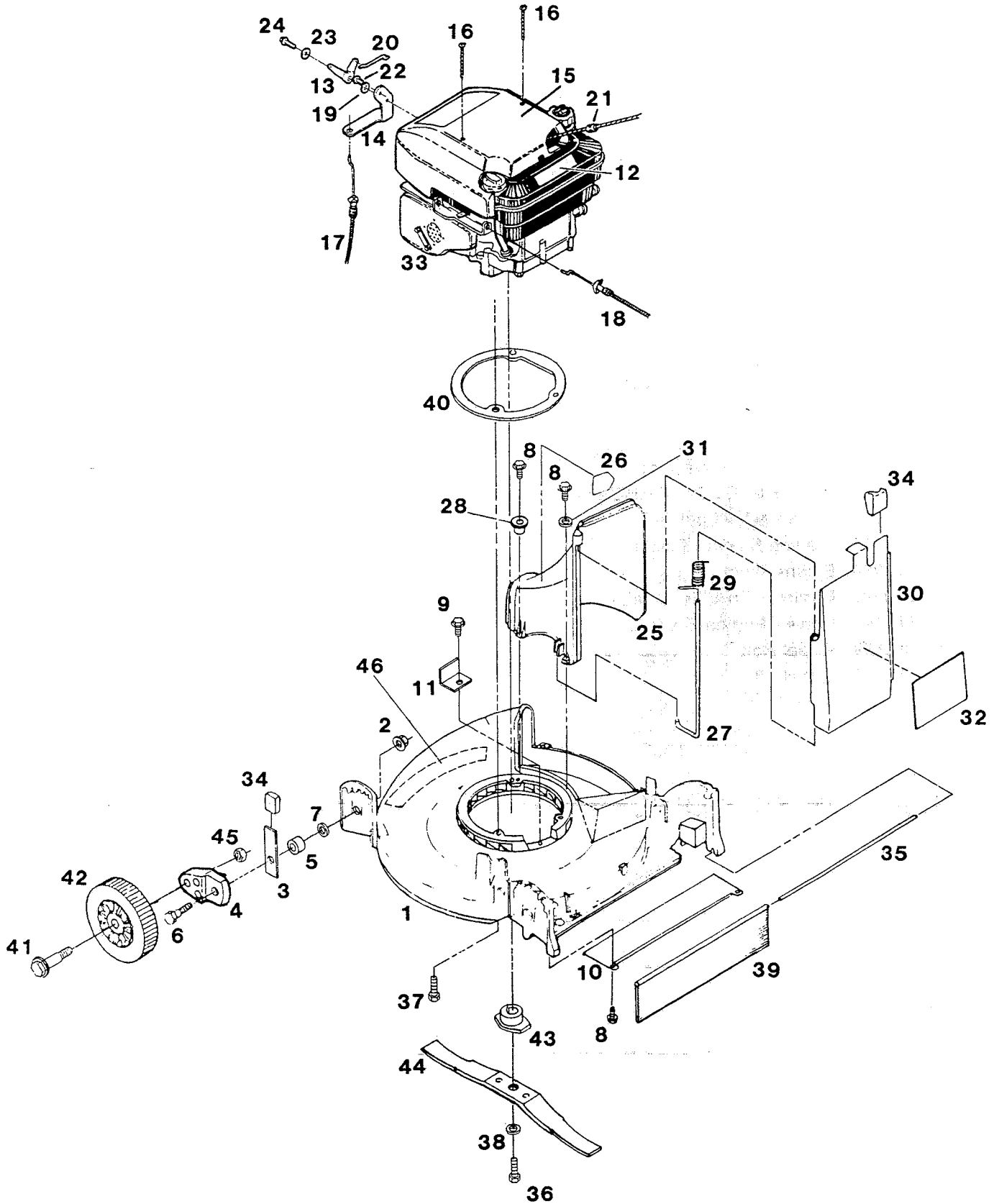
NO.	NO.	DESCRIPTION
1	052977	Control - Throttle w/Cable
2	052985	Cable - Engine/Blade Control
3	589494	Cover - Cable
4	589661	Grip Restraint
5	110379	Cable Tie
6	113589	Wing Nut
7	152108	Bolt - 5/16-18 x 1 HHCS Gr. 8
8	159236	Nut - 5/16-18 Flg. Lock
9	310045	Nut - 5/16-18 Hex
10	580335	Washer - Curved 1/4
11	581463	Bolt - Handle
12	583024	Screw - 1/4-10 x 5/8 Phillips Tap
13	583050	Screw - 1/4-20 x 5/8 Hex Tap
14	583166	Nut - 1/4-20 Hex Lock
15	586090	Spring - Compression

INDEX PART

NO.	NO.	DESCRIPTION
16	586626	Clamp - Throttle Cable
17	587708	Pivot - Shaft
18	587716	Clamp - Pivot Shaft
19	587955	Bolt - 1/4-20 x 2 Carriage
20	587965	Bolt - 1/4-20 x 2-1/4 Carriage
21	588154	Bail - Engine/Blade Control
22	588983	Clamp - Engine Control Cable
23	589362	Stub - Handle Mounting
24	589364	Handle - Lower
25	589398	Handle - Upper
26	799729	Decal - Cyclo Action
27	589412	Cap - Plug
28	715185	Washer - Flat 5/16
29	799599	Decal - Starting Instructions

S/N 239902
 P/L 082668
 O/M 082575
 E/M 082761

MODEL: CAPSB21/5M
5 hp 21" CUT REAR-BAGGING MOWER
Grass Catcher Included
See page 233



S/N 239902
P/L 082668
O/M 082575
E/M 082761

MODEL: CAPSB21/5M
5 hp 21" CUT REAR-BAGGING MOWER
 Grass Catcher Included
 See page 233

INDEX PART

NO.	NO.	DESCRIPTION
1	588430	Deck - 21" Red
2	159236	Nut - 5/16 Flg. Lock
3	586051	Setting Lever Assembly
4	031455	Wheel Arm
5	581274	Spacer - Wheel
6	581490	Bolt - Height Adjuster
7	715185	Washer - Flat 5/16
8	583021	Screw - 1/4-20 x 3/4 Hex Tap
9	583049	Screw - 1/4-20 x 1/2 Hex Tap
10	116775	Cover - Rear
11	094989	Cover
12	009415	Decal - Blade Warning
13	023682	Bellcrank
14	023683	Bracket - Throttle
15	036938	Cover - Engine
16	036731	Screw - #8-32 x 1-1/4 Phillips Tap
17	052977	Control - Throttle w/cable
18	052985	Cable - Engine/Blade Control
19	094250	Spacer - Stepped
20	094898	Throttle Link
21	152074	Rope Stop
22	157784	Screw - #10-24 x 3/8 Hex Tap
23	159467	Washer - Flat 3/16

INDEX PART

NO.	NO.	DESCRIPTION
24	380543	Screw - #10-24 x 3/4 Hex Tap
25	589594	Discharge Chute
26	143115	Decal - CPSC Danger
27	581483	Hinge Pin
28	583531	Eyelet
29	587976	Spring - Door Chute
30	589489	Door Chute
31	615690	Washer - Flat 1/4
32	799496	Decal - Door Warning
33	*	Engine
34	579717	Plastic Tip - Height Adjuster
35	581486	Rod - Trailing Shield
36	382902	Bolt - 3/8-24 x 1-1/4 HHCS Gr. 8
37	382892	Bolt - 3/8-16 x 2-1/4 HHCS Gr. 5
38	156919	Washer - 3/8 Lock H.D.
39	581515	Trailing Shield - Plastic
40	588984	Engine Ring
41	382889	Wheel Bolt
42	588697	Wheel - 8"
43	095213	Adapter - Blade with Key
44	589413	Blade - 21"
45	715391	Nut - 3/8-16 Hex
46	799562	Decal - Logo
--	397042	Kit - Side Discharge Chute (optional)

* Contact engine manufacturer's authorized service dealer for parts and warranty.

ASK FOR SIDE DISCHARGE CHUTE MODEL APMRB-SDC

P/N 397042

S/N 239902
 P/L 082668
 O/M 082575
 E/M 082761