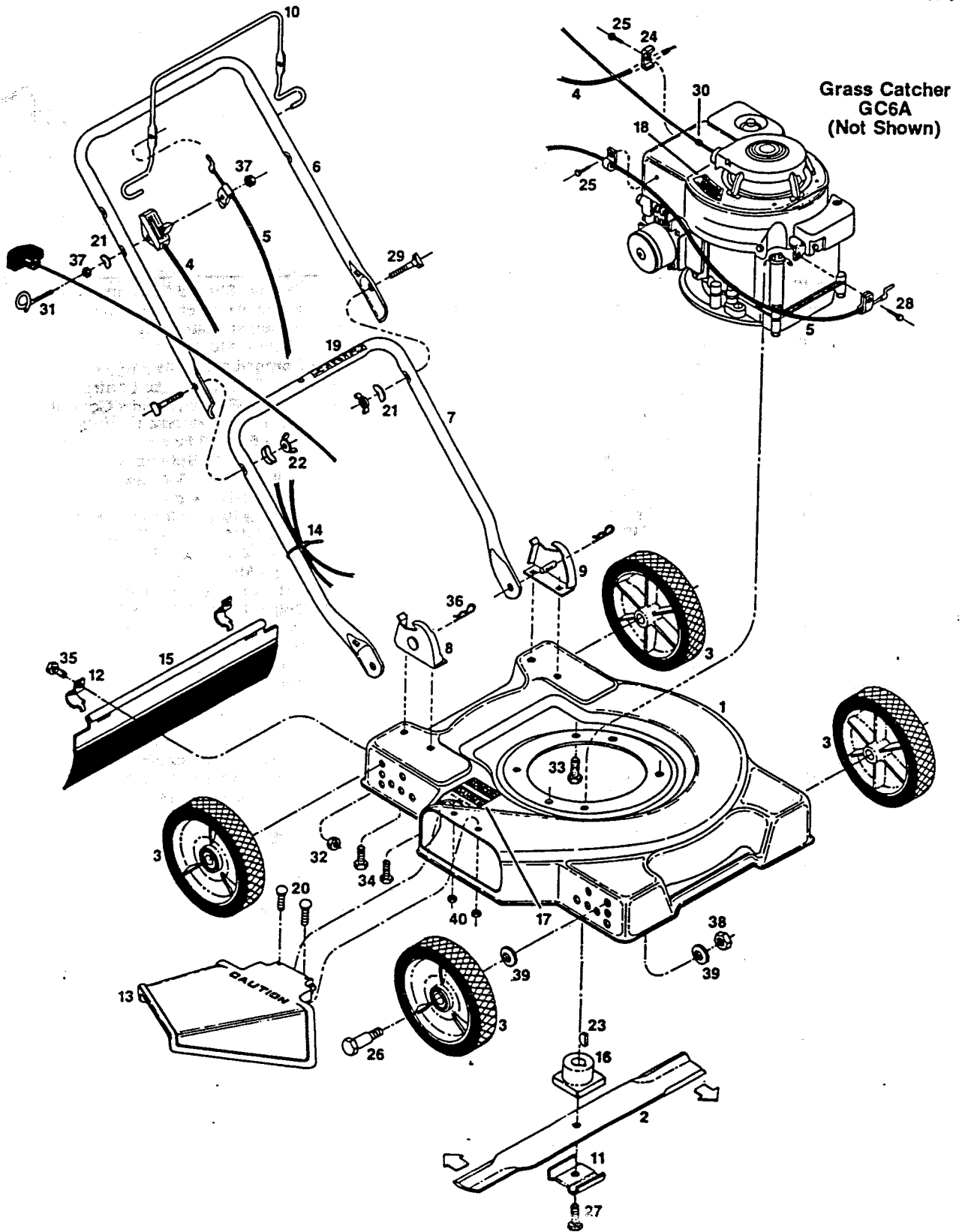


**19" Rotary Mower**  
**CE19D**  
**FUB19D**  
**W19**



**19" Rotary Mower**

CE19D

FUB19D

W19D

INDEX PART		DESCRIPTION	INDEX PART		DESCRIPTION
NO.	NO.		NO.	NO.	
1	029017	Deck 19" Green	21	150201	Washer - Curved 5/16
	029025	Deck 19" Red	22	150235	Wingnut 5/16-18
2	030023	Blade - 19" Flat	23	150276	Woodruff Key #6
3	041012	Wheel - 6" Plastic	24	150318	Cable Clamp
4	051086	Control - Throttle Plastic	25	150623	Self Tap Screw #10 x 5/8
5	051037	Cable - Engine/Blade Control*	26	150730	Shoulder Bolt - Wheel
6	071076	Handle - Upper	27	150862	Bolt - Blade 3/8-24 x 1 1/4 Gr. 8
7	071563	Handle - Lower	28	151613	Bolt - Hex Head #10-32 x 3/8 SEMS
8	107086	Handle Bracket - Right Hand	29	151928	Bolt - Curved Head 5/16-18 x 1 3/4
9	107094	Handle Bracket - Left Hand	30	152074	Rope Stop
10	104687	Bail - Engine/Blade Control*	31	152629	Rope Guide
11	106336	Washer - Blade Adapter	32	452318	Nut #10-24 HX Nylon Insert
12	106914	Clip - Trailing Shield	33	457168	Bolt - Hex Head Self Tap 3/8-16 x 7/8
	110221	Chute Deflector Assembly*	34	457499	Bolt - Self Tap 1/4-20 x 5/8
14	110379	Cable Tie	35	458687	Bolt # 10-24 x 1/2
15	111583	Trailing Shield*	36	715011	Hairpin Cotter
16	133231	Blade Adapter	37	715037	Nut - Keps 1/4-20
17	144063	Decal - C.P.S.C. Danger	38	715086	Locknut 3/8-16 Top
18	144204	Decal - Blade Warning	39	715417	Washer Flat 3/8 SAE
19	144899	Decal - Starting Instructions	40	715508	Locknut 1/4-20 Top
20	150011	Bolt - Carriage 1/4-20 x 5/8			