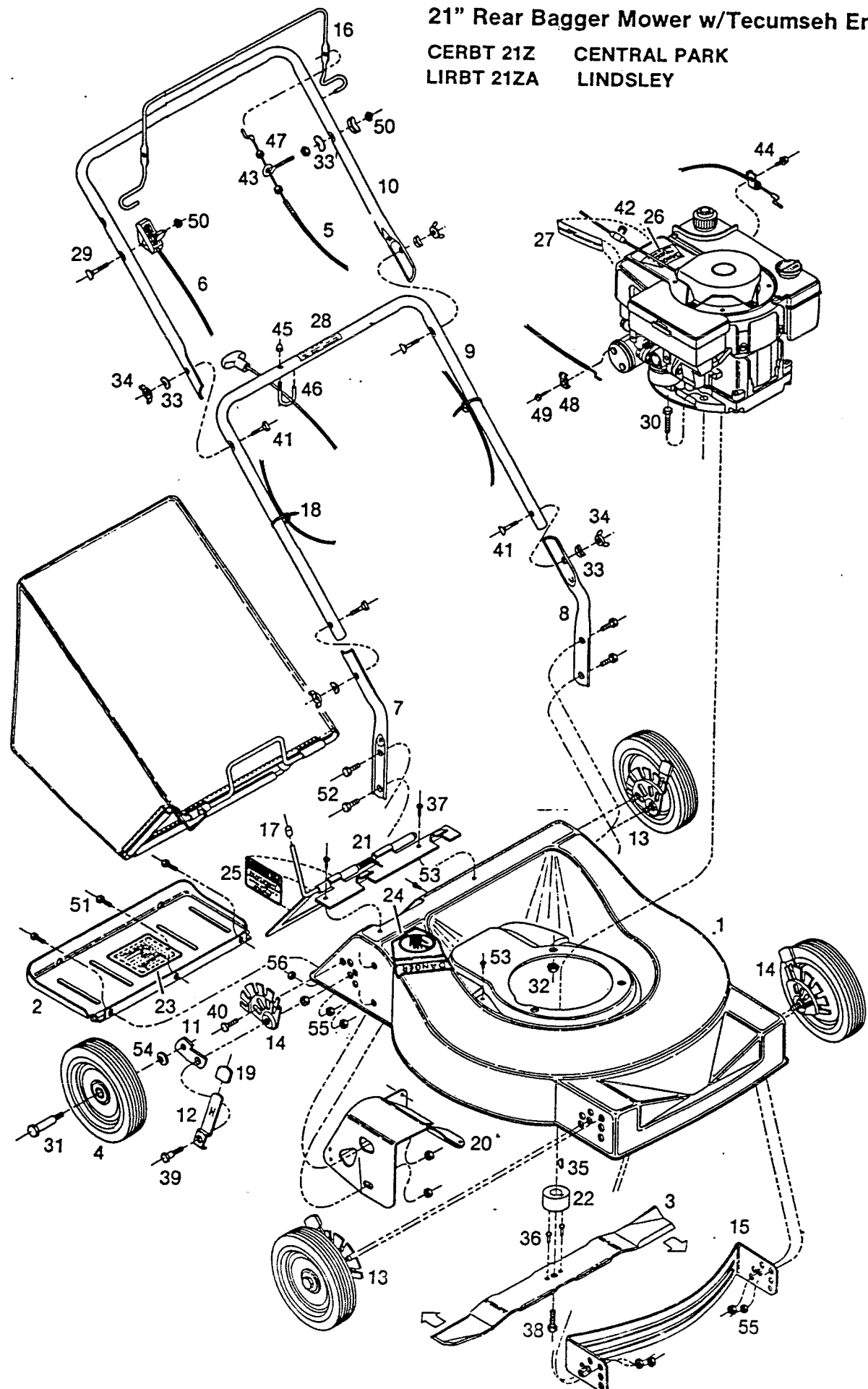


21" Rear Bagger Mower w/Tecumseh Engine

CERBT 21Z CENTRAL PARK
LIRBT 21ZA LINDSLEY



21" Rear Bagger Mower w/ Tecumseh Engine
CERBT 21Z CENTRAL PARK
LIRBT 21Z LINDSLEY

NOTE: PARTS ARE RIGHT OR LEFT HAND AS VIEWED FROM THE OPERATOR POSITION.

Index No.	Part No.	Description	Index No.	Part No.	Description
1.	026724	Deck 21" Rear Bagger	16.	104687	Control - Engine/Blade Crossbar *
2.	027169	Trailing Shield Assembly*	17.	110064	Rod Cap - Plastic
3.	030262	Blade 21" Rear Bagger	18.	110379	Cable Tie
4.		Wheel Assemblies *	19.	110510	Plastic Tip - Setting Lever
	040246	7" Plastic - White - Diamond - Nylon Bearing	20.	120824	Rear Baffle Assembly *
	040832	7" Plastic - Gray - Diamond - Nylon Bearing	21.	124016	Rear Door Assembly *
	040089	7" Plastic - Gray - Thru Bar - Nylon Bearing	22.	132662	Blade Adapter
	040758	7" Plastic - Almond - Thru Bar - Nylon Bearing	23.	142661	Decal - Trailing Shield
	040352	7" Plastic - Gray - Cog - Nylon Bearing	24.	143115	Decal - C.P.S.C. Danger
	040022	7" Plastic - White - Rib - Roller Bearing	25.	144162	Decal - Rear Bagger Door
	040386	7" Steel - White - Rib - Ball Bearing	26.	144204	Decal - Blade Warning
	040394	7" Steel - Gray - Rib - Ball Bearing	27.	144816	Decal - C.P.S.C. Blade Safety
	040097	8" Plastic - Gray - Slick - Nylon Bearing	28.	144899	Decal - Starting Instructions
	040220	8" Plastic - Gray - Cog - Nylon Bearing	29.	150029	Curved Head Bolt 1/4-20 x 1-1/2
	040733	8" Plastic - White - Slick - Nylon Bearing	30.	150045	Hex Head Bolt 5/16-18 x 1-1/4
	040741	8" Plastic - White - Cog - Nylon Bearing	31.	150060	Wheel Bolt
	040311	8" Plastic - Gray - Slick - Roller Bearing	32.	150136	Keps Nut 5/16-18
	040030	8" Plastic - White - Rib - Roller Bearing	33.	150201	Curved Washer 5/16
	040303	8" Plastic - White - Cog - Roller Bearing	34.	150235	Wingnut 5/16-18
	040345	8" Plastic - Gray - Cog - Roller Bearing	35.	150276	Woodruff Key #6
	040451	8" Steel - White Rib - Ball Bearing	36.	150284	Shear Pin
	040501	8" Steel - Gray - Rib - Ball Bearing	37.	150623	Self Tap Screw #10-5/8
	040634	8" Steel - White - Cog - Ball Bearing	38.	150862	Blade Bolt
	040683	8" Steel - Gray - Cog - Ball Bearing	39.	150896	Shoulder Bolt - Height Adjuster
	040717	8" Steel - Gray - Slick - Ball Bearing	40.	150904	Shaved Hex Head Bolt 3/8-16 x 3/4
	040857	8" Plastic - White - Diamond - Nylon Bearing	41.	151928	Curved Head Bolt 5/16-18 x 1-3/4
	040840	8" Plastic - Gray - Diamond - Nylon Bearing	42.	152066	Staple - Rope Stop
	040873	8" Plastic - Gray - Diamond - Roller Bearing	43.	152140	Eyebolt - Cable Mounting
5.	050351	Control - Engine/Blade *	44.	152157	Hex Washer Head #10-32 x 1/4 SEMS
6.	050393	Control - Throttle Plastic	45.	152207	Locknut Acorn 1/4-20
	050443	Control - Throttle Steel *	46.	152215	Rope Guide
7.	070219	Handle - Lower Brace - Right Hand	47.	152223	Hex Jam Nut 5/16-24
8.	070227	Handle - Lower Brace - Left Hand	48.	152231	Cable Clamp
9.	071068	Handle - Lower	49.	152249	Hex Washer Head #10-32 x 3/8
10.	071076	Handle - Upper	50.	715037	Keps Nut 1/4-20
	071084	Handle - Upper with Cushion Grip *	51.	715045	Hex Head Bolt 1/4-20 x 3/4
11.	090282	Wheel Lever - Height Adjuster	52.	715201	Hex Head Bolt 3/8-16 x 3/4
12.	090399	Setting Lever - Height Adjuster	53.	715276	Pop Rivet 1/8
13.	090431	Back Plate - Height Adjuster RH Front LH Rear	54.	715409	Disc Spring Washer 3/8
14.	090449	Back Plate - Height Adjuster LH Front RH Rear	55.	715441	Hex Nut Twin Whiz 3/8-16
15.	102533	Baffle Front	56.	715508	Hex Locknut 1/4-20

Index No.	Part No.	Description
1	160416	Catcher Bag (Replacement)*
2	103952	Frame - Catcher
3	102640	Hoop - Catcher
4	103945	Retaining Latch
5	151464	Connector 5/16

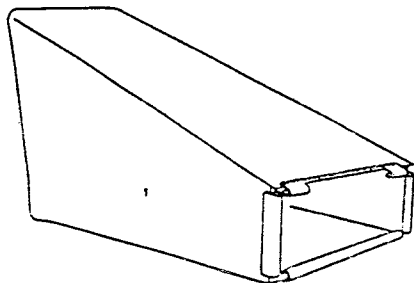


FIGURE A

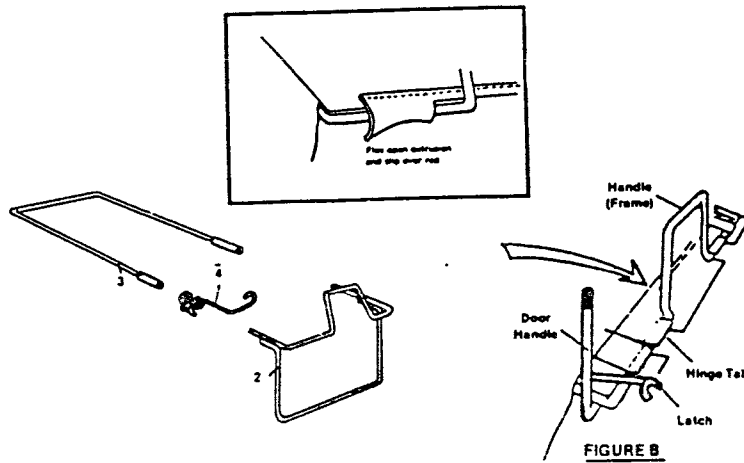


FIGURE B