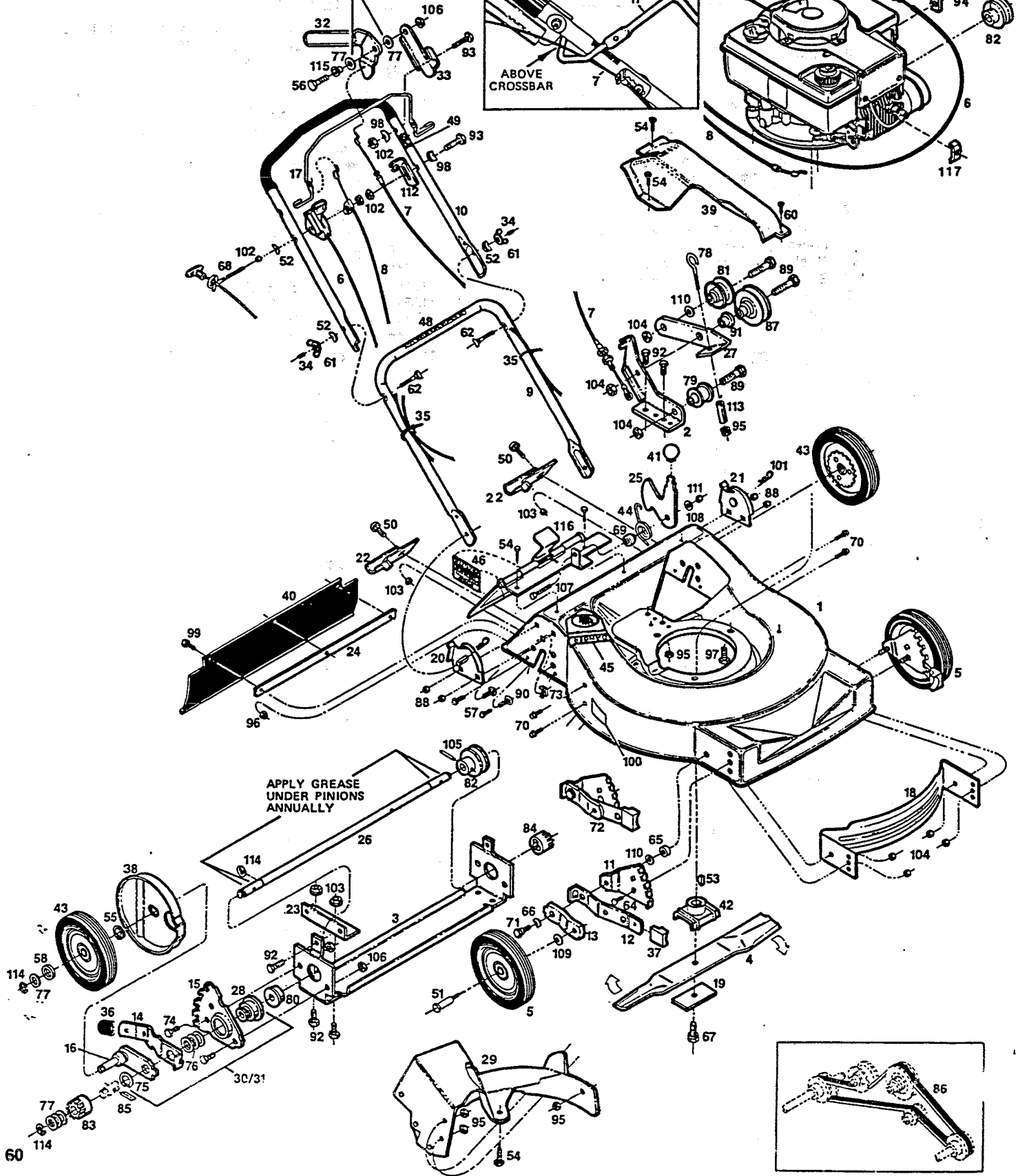
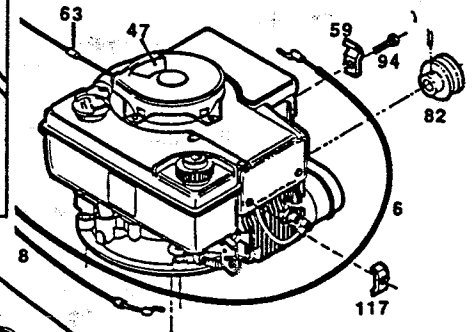
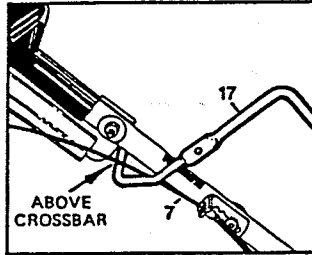


21" Rear Bagging Mower CERRBSPT-21D

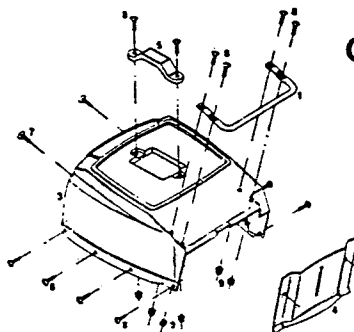
LUBRICATE MONTHLY OR
EVERY 5 HOURS OF OPERATION



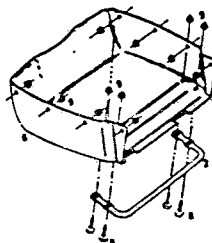
21" Rear Bagging Mower CERRBSPT-21D

Index No.	Part No.	Description
1	024505	Deck
2	029298	Bracket - idler mount
3	024174	Drive support bracket
4	030338	Blade 21" offset
5		Wheel Assembly
	041111	8" steel-white
	498634	8" plastic-white
6	050922	Throttle control w/cable
7	050831	Cable - S.P. control
8	050948	Cable - engine/blade control
9	071449	Handle - lower
10	071738	Handle - upper
11	090589	Back plate - front
12	090613	Setting lever - front
13	090977	Wheel lever - front
14	090746	Setting lever - rear
15	090761	Back plate - rear
16	090894	Wheel lever - rear RH
	090910	Wheel lever - rear LH
17	104745	Bail - engine/blade control
18	105825	Baffle - front
19	106005	Blade washer
20	106807	Handle bracket - R.H.
21	106815	Handle bracket - L.H.
22	106930	Catcher hook
23	107128	Drive support mtg. brkt.
24	107151	Backing strip
25	108324	Latch - rear bagger
26	108357	Drive shaft
27	107193	Idler arm
28	108647	Stepped sleeve
29	127191	Baffle Assembly
30	128157	Height Adjuster Assembly rear LH
31	128165	Height Adjuster Assembly rear RH
32	107482	Lever - ground drive control
33	107508	Actuator bracket
34	110064	Plastic - bolt cap
35	110379	Cable tie
36	110510	Plastic tip - rear adjuster
37	111260	Plastic tip - front adjuster
38	111872	Dust cover - wheel
39	111518	Belt cover
40	111633	Vinyl trailing shield
41	111724	Knob - catcher latch
42	126466	Blade adapter
43	128140	Wheel - rear, w/gear
44	133371	Torsion spring - catcher latch
45	143115	Decal - Danger
46	144162	Decal - door caution
47	144204	Decal - blade warning
48	144899	Decal - starting instructions
49	146761	Decal - drive control instructions
50	150011	Carriage bolt - 1/4-20 x 3/4
51	153650	Wheel bolt - front
52	150201	Curved washer - 5/16
53	150276	Woodruff key #6
54	150623	Bolt - slotted hex #10 x 3/4
55	790451	Ring - retainer
56	150904	Bolt - hex head - 3/8-16 x 3/4
57	153601	Self tap screw 1/4-20 x 3/4

Index No.	Part No.	Description
58	151449	Washer - wheel retaining
59	152231	Clamp-throttle cable
60	151621	Screw - self drilling #6-20- x 1/2
61	150235	Wing nut 5/16-18
62	151936	Curved head bolt 5/16 - 18 x 2.25
63	152074	Rope stop
64	152405	Bolt - carriage 3/8-16 x 3/4
65	152413	Washer - plastic 3/4 x 11/32 x .095
66	152421	Washer - spring
67	152496	Bolt - blade - sems
68	152629	Eyebolt - Rope guide
69	152637	Spacer - bagger latch
70	152660	Bolt - hex washer HD. 1/4-20 x 1/2
71	153643	Bolt - shoulder
72	128686	Height Adjuster Assembly - front
73	154393	Nut - Snap in 1/4 - 20
74	153817	Bolt - hex head 3/8-16 x 1/2
75	153841	Snapping 3/8
76	153858	Spring washer 3/8
77	152553	Thrust washer 1/2" I.D.
78	153908	Bolt - Hook
79	170456	Pulley - 3/8" - bore
80	170464	Bearing - flange ball
81	170530	Pulley - ext. hub - 3/8" bore
82	170670	Pulley - drive 1/2" bore
83	170993	Pinion - ratchet R.H.
84	170985	Pinion - ratchet L.H.
85	170811	Drive pawl
86	170829	V-belt 38.0
87	305367	Idler - pulley
88	310151	Nut - nylon insert - 5/16 - 18
89	312322	Bolt - hex hd. 5/16 x 1.75
90	313510	Bolt-carriage 5/16-18 x 3/4
91	326348	Shouldered spacer
92	449587	Bolt hex hd 1/4-20 x 3/4
93	450072	Bolt hex hd 1/4-20 x 1 1/2
94	152249	Bolt - hex washer head #10-32 x 3/4
95	451419	Nut - TL flange 1/4-20
96	452318	Nut - hex nylon insert #10-24
97	457168	Bolt - thread from 3/8-16 x 3/4
98	461004	Washer - curved 3/8 - 1/4 I.D.
99	458687	Bolt - hex #10-24 x 1/2
100	714170	Decal - Model Number
101	715011	Hairpin Cotter
102	715037	Nut - keps 1/4 - 20
103	715078	Nut - flange whiz 1/4 - 20
104	715086	Locknut - hex - 3/8 - 16
105	715193	Roll pin 3/16 x 1
106	715524	Nut - hex 3/8 - 16 Jam
107	715292	Bolt hex head 1/4 - 20 x 1
108	715300	Washer - flat 1/4"
109	715607	Washer - belleville 3/8
110	715417	Washer - 3/8
111	715508	Nut top lock - 1/4 - 20
112	772616	Bracket - cable mtg.
113	468801	Sleeve - idler cable
114	789883	E-ring
115	170886	Shouldered spacer
116	127167	Door assembly
117	447979	Clamp - cable



GRASS CATCHER



Index No.	Part No.	Description
1	028464	Upper catcher frame
2	028910	Lower catcher frame
3	111302	Catcher top
4	111328	Catcher baffle
5	111351	Catcher handle
6	111641	Catcher bottom notched
7	152694	Plastic push fastener
8	152652	Screw-slotted truss head 1/4-20 x 3/4
9	715078	Locknut 1/4-20 flanged whiz