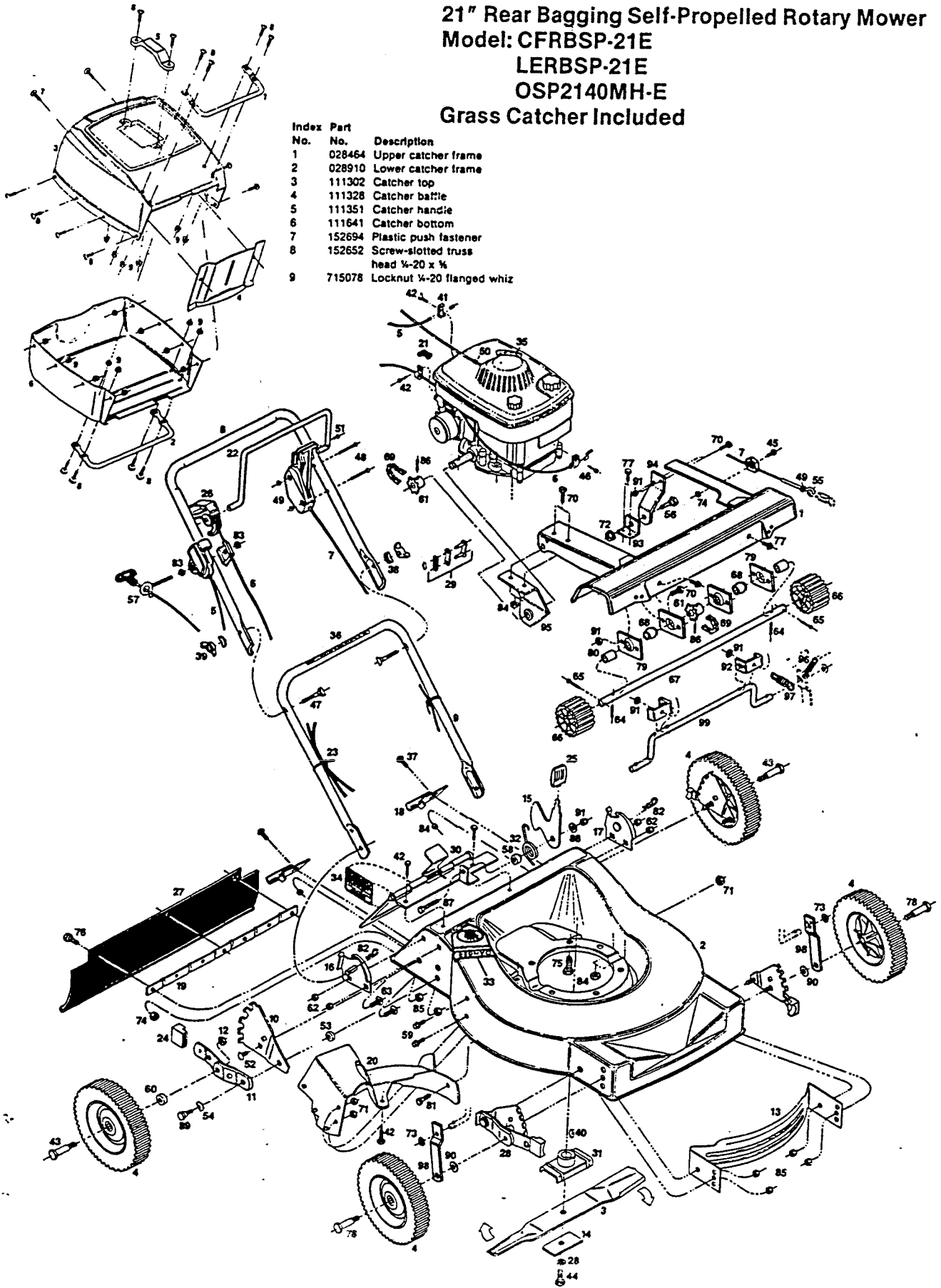


21" Rear Bagging Self-Propelled Rotary Mower
 Model: CFRBSP-21E
 LERBSP-21E
 OSP2140MH-E
 Grass Catcher Included

Index No.	Part No.	Description
1	028464	Upper catcher frame
2	028910	Lower catcher frame
3	111302	Catcher top
4	111328	Catcher battle
5	111351	Catcher handle
6	111641	Catcher bottom
7	152694	Plastic push fastener
8	152652	Screw-slotted truss head $\frac{1}{2}$ -20 x $\frac{1}{2}$
9	715078	Locknut $\frac{1}{2}$ -20 flanged whiz



21" Rear Bagging Self-Propelled Rotary Mower
Model: CFRBSP-21E
LERBSP-21E
OSP2140MH-E
Grass Catcher Included

Index No.	Part No.	Description	Index No.	Part No.	Description
1	024604	Drive Cover	48	151944	Bolt—Oval HD Mach., #10-24 x 2
2	029835	Deck-21" Green	49	151985	Nut—Hex #10-24
3	030338	Blade 21"	50	152074	Rope Stop
4		Wheel Assemblies*	51	152181	Screw—Bail Retaining
	040303	8" Plastic—White—Cog—Roller Bearing	52	152405	Bolt—carriage 3/8-16 x 3/4
	040741	8" Plastic—White—Cog—Nylon Bearing	53	156182	Washer—Plastic—Height Adjuster
	041095	8" Steel—White—Cog—Flange Bearing	54	152421	Washer—Spring—Height Adjuster
	041103	8" Steel—White—Cog—Ball Bearing	55	153890	Eyebolt—10-24 x 2
5	051243	Control—Throttle w/Cable	56	153643	Shoulder Bolt
6	051003	Cable—Engine/Blade Control*	57	152629	Rope Guide
7	050823	Drive Control	58	152637	Spacer—Catcher Latch
8	071092	Handle—Upper	59	152660	Bolt—Hex Washer Head—1/4-20 x 1/2
	071100	Handle—Upper with Cushion Grip*	60	152686	Spacer—Rear Wheel
9	071449	Handle—Lower	61	170142	Sprocket—8 Tooth
10	090589	Back Plate—Height Adjuster	62	310151	Locknut—5/16-18 Nylock
11	091033	Wheel Arm Assy	63	313510	Bolt—Carriage 5/16-18 x 3/4
12	715524	Locknut 3/8-16 Jam	64	314096	Rollpin 3/16 x 1-1/4
13	105825	Baffle—Front	65	317016	Cotter Pin 1/8 x 1
14	106005	Blade Washer	66	416693	Pinion
15	108324	Catcher Latch	67	417741	Shaft
16	106807	Handle Bracket—Right Hand	68	423319	Bearing
17	106815	Handle Bracket—Left Hand	69	425306	Chain
18	109546	Catcher Frame Bracket	70	449587	Bolt—Hex 1/4-20 x 5/8
19	109496	Backing Strip—Trailing Shield	71	451419	Locknut 1/4-20 Flanged Top
20	127191	Baffle Assembly—Rear	72	451492	Nut—3/8-16
21	110833	Cover—Spark Plug	73	452250	Push Nut—3/8
22	107367	Bail—Engine/Blade Control*	74	452318	Nut #10-24 Hex Nylon Insert
23	110379	Cable Tie	75	457168	Bolt—3/8-16 x 7/8 Thread Forming
24	111260	Plastic Tip—Height Adjuster	76	458687	Bolt—Hex Head 10-24 x 1/2
25	111724	Knob—Catcher Latch	77	459206	Bolt 1/4-20 x 5/8
26	111526	Actuator—Engine Control	78	156166	Shoulder Bolt—Wheel Front
27	111625	Trailing Shield*	79	463778	Bearing Plate
28	156919	Lockwasher 3/8 HD Split	80	468397	Spacer
29	120295	Master Link #65	81	156851	Bolt—1/4-20 x 3/8 SH HD
30	127167	Door Assembly*	82	715011	Hitch Pin #3
31	126466	Blade Adapter	83	715037	Locknut 1/4-20 Keps
32	133371	Torsion Spring—Catcher Latch	84	715078	Nut 1/4-20 Flange Whiz
33	143115	Decal—Danger*	85	715086	Locknut 3/8-16 Top
34	144162	Decal—Door Caution*	86	715193	Rollpin 3/16 x 1
35	001206	Decal—Blade Warning*	87	715292	Bolt—Hex Head 1/4-20 x 1
36	144899	Decal—Starting Instructions	88	715300	Washer 1/4"
37	150011	Bolt—Carriage 1/4-20 x 5/8 Gr. 5	89	156125	Bolt Shoulder
38	150201	Washer—Curved 5/16	90	156877	Washer - .38 ID x .06TH Hard
39	150235	Wing Nut 5/16-18	91	715508	Locknut 1/4-20 Top
40	150276	Woodruff Key No. 6	92	771691	Bracket
41	150318	Cable Clamp	93	109058	Bracket—Pivot
42	150623	Screw—Hex Head Sheet Metal #10 x 5/8	94	109017	Bracket—Arm
43	156133	Shoulder Bolt—Wheel Rear	95	108951	Bracket—R.H.
44	150862	Bolt—Blade 3/8-24 x 1 Gr. 5	96	775817	Spring
45	151522	Bolt #10-24 x 3/4	97	775858	Spring—Drive Control
46	151613	Bolt—Hex Head SEMS 10-32 x 3/8	98	778696	Arm—Actuator
47	151928	Bolt—Curved Head Crg 5/16-18 x 1-3/4	99	783605	Rod—Engagement

NOTE: PARTS ARE RIGHT OR LEFT HAND AS VIEWED FROM THE OPERATOR POSITION.

* INDICATES OPTIONAL EQUIPMENT