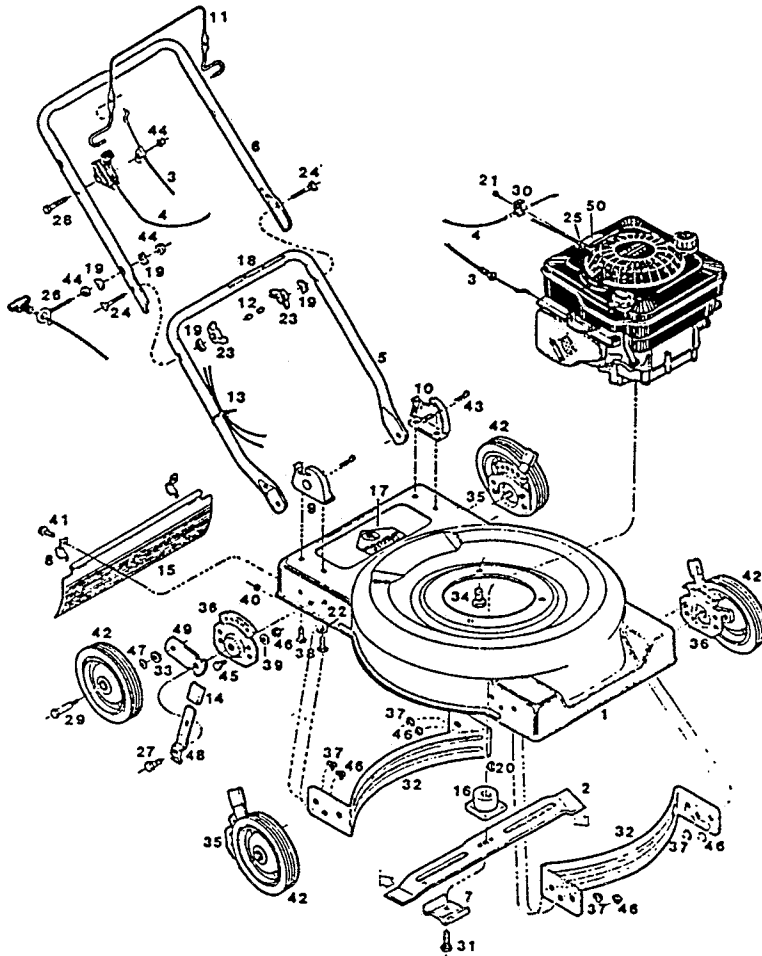


**20" MULCHING ROTARY MOWER
MODEL: CMQ20H**



INDEX NO.	PART NO.	DESCRIPTION
1	018747	Deck - 20" Mulcher
2	030189	Blade - 20" Mulcher
3	052209	Cable - Engine/Blade Control (Snap-In Type)
4	052217	Control - Throttle
5	071563	Handle - Lower
6	071084	Handle - Upper Coated
7	106336	Washer - Blade Adapter
8	106914	Clip - Trailing Shield
9	107086	Handle Bracket - R.H.
10	107094	Handle Bracket - L.H.
11	104687	Bail - Engine/Blade Control
12	110064	Bolt Cap - Plastic
13	110379	Cable Tie
14	111559	Plastic Tip - Setting Lever
15	111591	Trailing Shield - Plastic
16	133231	Blade Adapter
17	143115	Decal - Danger
18	144899	Decal - Starting Instructions
19	150201	Washer - Curved 5/16"
20	150276	Woodruff Key No. 6
21	150623	Screw - Self Tap #10x5/8
22	151555	Washer - 1/4
23	150235	Wing Nut 5/16-18
24	151936	Bolt - Curved Head 5/16-18 x 2-1/4
25	152074	Rope Stop
26	152371	Rope Guide
27	153650	Shoulder Bolt - Height Adjuster
28	153874	Bolt - 1/4-20 x 2-1/4 Hex
29	157420	Wheel Bolt
30	157552	Clamp - Cable
31	162024	Bolt - Blade 3/8-24 x 1-1/4 Gr. 8
32	178475	Baffle - Front and Rear
33	715417	Washer - Flat
34	457168	Bolt - 3/8-16 x 7/8 TDFM
35	428664	Back Plate - Height Adjuster R.H. Front L.H. Rear
36	428714	Black Plate - Height Adjuster L.H. Front R.H. Rear
37	451492	Nut - 3/8-16 Toplock Flange
38	457499	Bolt - 1/4-20 x 1/2 Thread Forming
39	462093	Washer - 1/4
40	452318	Nut #10-24 Hex Nylon Insert
41	458687	Bolt - #10-24 x 1/2
42	498634	Wheel - 8 x 1.75 Plastic
43	715011	Hairpin Cotter
44	715037	Nut - 1/4-20 Keps
45	715045	Bolt - 1/4-20 x 3/4
46	715508	Locknut 1/4-20
47	715607	Washer - Belleville
48	776500	Setting Lever - Height Adjuster
49	777862	Wheel Lever - Height Adjuster
50	001206	Decal - Blade Warning

NOTE: Parts are right or left hand as viewed from operator position.
Specifications subject to change without prior notice.