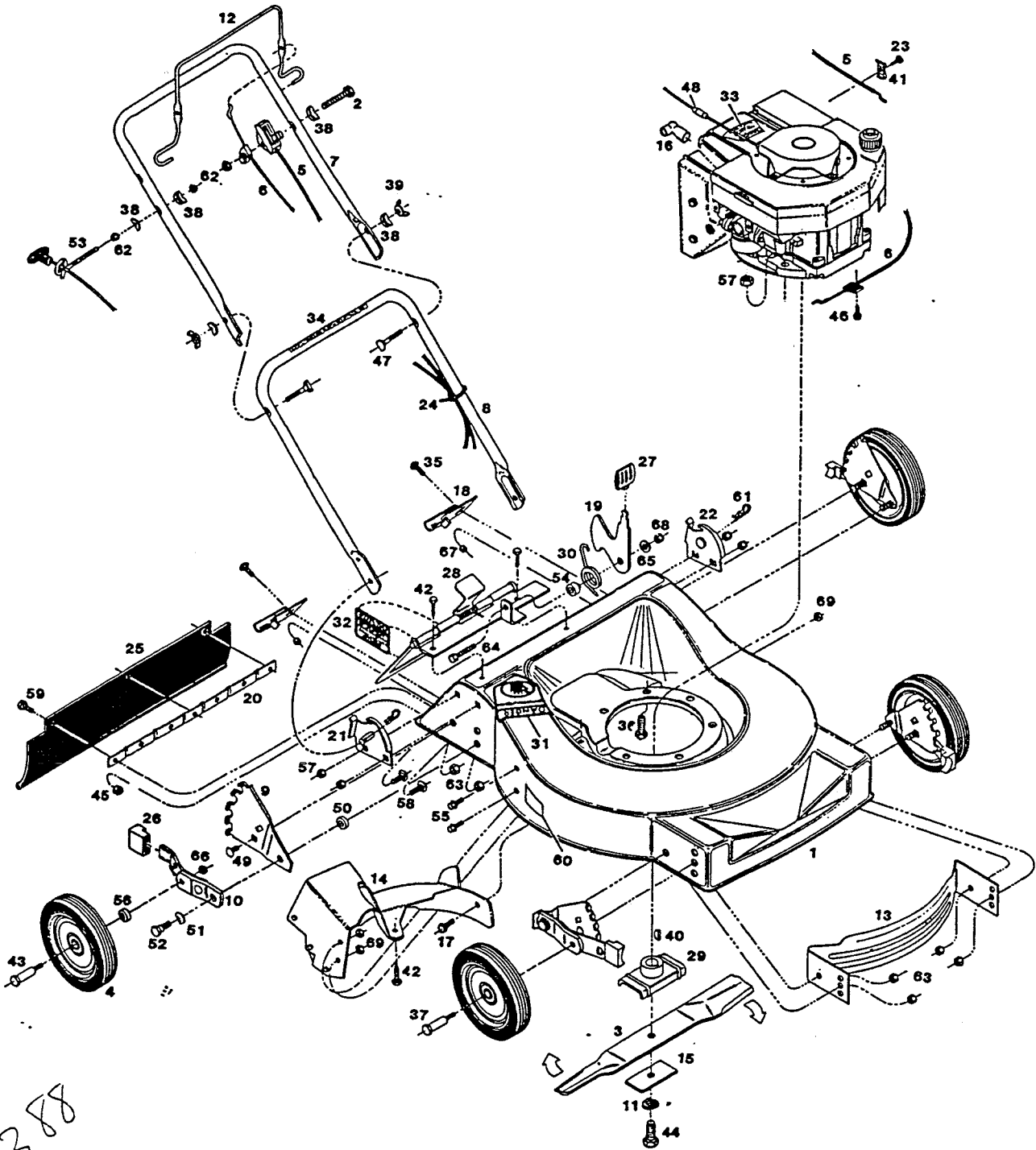


21" Rear Bagging Rotary Mower
 Model: CRP-4E
 Grass Catcher Included



NOTE: PARTS ARE RIGHT OR LEFT HAND AS VIEWED FROM THE OPERATOR POSITION.

* INDICATES OPTIONAL EQUIPMENT

**21" Rear Bagging Rotary Mower
Model: CRP-4E
Grass Catcher Included**

| Index No. | Part No. | Description | Index No. | Part No. | Description |
|-----------|----------|---|-----------|----------|---|
| 1 | 028779 | Deck - 21" | 31 | 143115 | Decal - Danger* |
| 2 | 150433 | Bolt 1/4-20 x 2 | 32 | 144162 | Decal - Door Caution* |
| 3 | 030338 | Blade 21" Offset | 33 | 001461 | Decal - Blade Warning* |
| 4 | | Wheel Assemblies* | 34 | 144899 | Decal - Starting Instructions |
| | 040733 | 8" Plastic - White - Slick - Nylon Bearing | 35 | 150011 | Bolt - Carriage 1/4-20 x 5/8 Gr. 5 |
| | 040741 | 8" Plastic - White - Cog - Nylon Bearing | 36 | 152108 | Bolt 3/16-18 x 1 |
| | 040030 | 8" Plastic - White - Rib - Roller Bearing | 37 | 150060 | Shoulder Bolt - Wheel Front |
| | 040303 | 8" Plastic - White - Cog - Roller Bearing | 38 | 150201 | Washer - Curved 5/16 |
| | 040451 | 8" Steel - White - Rib - Ball Bearing | 39 | 150235 | Wing Nut 5/16-18 |
| | 040634 | 8" Steel - White - Cog - Ball Bearing | 40 | 150276 | Woodruff Key No. 6 |
| | 041111 | 8" Steel - White - Rib - Flange Bearing | 41 | 152231 | Cable Clamp |
| | 040857 | 8" Plastic - White - Diamond - Nylon Bearing | 42 | 150623 | Screw - Hex Head Sheet Metal No. 10 x 5/8 |
| | 040865 | 8" Plastic - White - Diamond - Roller Bearing | 43 | 156133 | Shoulder Bolt - Wheel Rear |
| 5 | 051227 | Control - Throttle w/Cable | 44 | 150862 | Bolt - Blade |
| 6 | 051326 | Cable - Engine/Blade Control* | 45 | 452318 | Locknut - 10-24 Hex |
| 7 | 071076 | Handle - Upper | 46 | 151613 | Hex Washer Hd No. 10-32 x 3/8 SEMS |
| 8 | 071449 | Handle - Lower | 47 | 151928 | Bolt - Curved Head Crg 5/16-18 x 1-3/4 |
| 9 | 090589 | Back Plate - Height Adjuster | 48 | 152074 | Rope Stop |
| 10 | 091033 | Wheel Arm Assy | 49 | 152405 | Bolt - Carriage 3/8-16 x 3/4 |
| 11 | 156919 | Lockwasher 3/8 HD Split | 50 | 156182 | Washer - Plastic - Height Adjuster |
| 12 | 104687 | Bail - Engine/Blade Control* — | 51 | 152421 | Washer - Spring - Height Adjuster |
| 13 | 105825 | Baffle - Front | 52 | 156125 | Shoulder Bolt - Height Adjuster |
| 14 | 127191 | Baffle - Rear | 53 | 152371 | Rope Guide |
| 15 | 106005 | Blade Washer | 54 | 152637 | Spacer - Catcher Latch |
| 16 | 110833 | Cover - Spark Plug | 55 | 152660 | Bolt - Hex Washer Head 1/4-20 x 1/2 |
| 17 | 156851 | Bolt 1/4-20 x 3/8 Shaved HD | 56 | 152686 | Spacer - Rear Wheel |
| 18 | 109546 | Catcher Frame Bracket | 57 | 310151 | Locknut - 5/16-18 Nylock |
| 19 | 108324 | Catcher Latch | 58 | 313510 | Bolt - Carriage 5/16-18 x 3/4 |
| 20 | 109496 | Trailing Shield Mounting Strip* | 59 | 458687 | Bolt - Hex Head 10-24 x 1/2 |
| 21 | 106807 | Handle Bracket - Right Hand | 60 | 714170 | Decal - Model/Rating |
| 22 | 106815 | Handle Bracket - Left Hand | 61 | 715011 | Hitch Pin No. 3 |
| 23 | 152249 | Screw - Hex Washer Head 10-32 x 3/8 | 62 | 715037 | Locknut 1/4-20 Keps |
| 24 | 110379 | Cable Tie | 63 | 715086 | Locknut 3/8-16 Top |
| 25 | 111625 | Trailing Shield - Plastic* | 64 | 715292 | Bolt - Hex Head 1/4-20 x 1 |
| 26 | 111260 | Plastic Tip - Height Adjuster | 65 | 715300 | Washer 1/4" |
| 27 | 111724 | Knob - Catcher Latch | 66 | 715524 | Locknut 3/8-16 JAM |
| 28 | 127167 | Door Assembly* | 67 | 715078 | Nut - Flange Whiz 1/4-20 |
| 29 | 126466 | Blade Adapter | 68 | 715508 | Locknut 1/4-20 Top |
| 30 | 133371 | Torsion Spring - Catcher Latch | 69 | 451419 | Locknut 1/4-20 Flanged Top |

| INDEX NO. | PART NO. | DESCRIPTION |
|-----------|----------|---------------|
| 1 | 102640 | CATCHER HOOP |
| 2 | 106450 | CATCHER FRAME |
| 3 | 151464 | CONNECTOR |
| 4 | 180093 | CATCHER BAG* |

