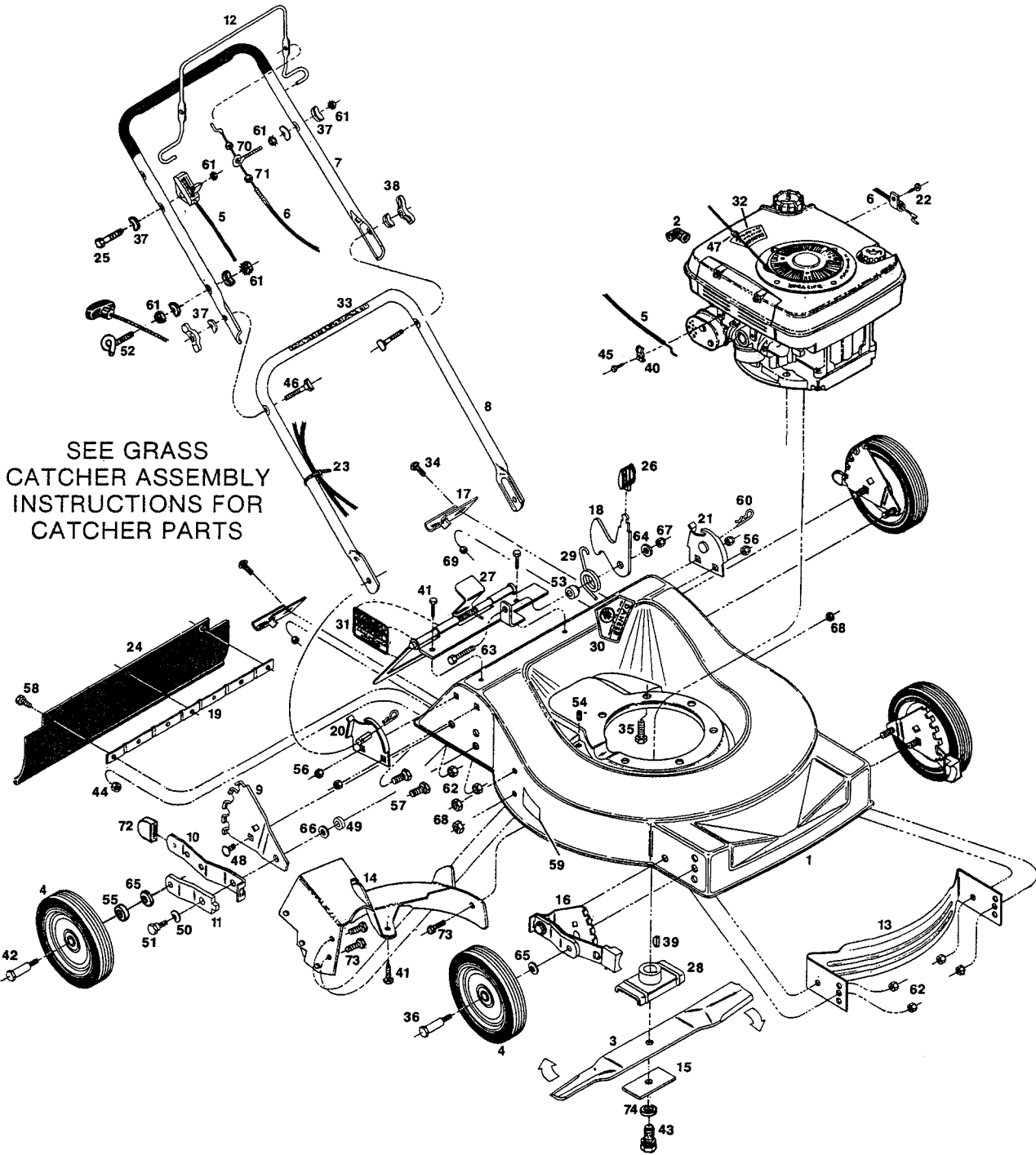


21" Rear Bagging Rotary Mower
Model CRP5PF
With Soft Bag Included



**21" Rear Bagging Rotary Mower
Model CRP5PF
With Soft Bag Included**

| Index No. | Part No. | Description | Index No. | Part No. | Description |
|------------------|-----------------|---|------------------|-----------------|--------------------------------------|
| 1 | 013987 | Deck—21" | 36 | 150730 | Shoulder Bolt—Wheel Front |
| 2 | 110833 | Cover-Spark Plug | 37 | 150201 | Washer—Curved 5/16 |
| 3 | 030338 | Blade—21" | 38 | 150235 | Wing Nut 5/16-18 |
| 4 | | Wheel Assemblies* | 39 | 150276 | Woodruff Key #6 |
| | 041111 | 8" Steel-White-Rib-Flange Bearing | 40 | 150318 | Cable Clamp |
| | 040857 | 8" Plastic-White-Diamond-Nylon Bearing | 41 | 150623 | Screw—Hex Head Sheet Metal #10 x 5/8 |
| | 040865 | 8" Plastic-White-Diamond-Roller Bearing | 42 | 156133 | Shoulder Bolt—Wheel Rear |
| 5 | 051227 | Control—Throttle w/Cable | 43 | 157255 | Bolt—Blade 3/8-24 x 1 1/4 |
| 6 | 051524 | Cable—Engine/Blade Control | 44 | 452318 | Locknut—10-24 Hex |
| 7 | 071084 | Handle-Upper Coated | 45 | 151613 | Screw-Hex #10-32 x 3/8 SEMS |
| 7 | 072413 | Handle—Upper w/Cushion | 46 | 151928 | Bolt—Curved Head Crg 5/16-18 x 1-3/4 |
| 8 | 071449 | Handle—Lower | 47 | 152074 | Rope Stop |
| 9 | 090589 | Back Plate—Height Adjuster | 48 | 152405 | Bolt—Carraige 3/8-16 x 3/4 |
| 10 | 090613 | Setting Lever—Height Adjuster | 49 | 152413 | Washer—Plastic—Height Adjuster |
| 11 | 090977 | Wheel Lever—Height Adjuster | 50 | 152421 | Washer—Spring—Height Adjuster |
| 12 | 104687 | Bail—Engine/Blade Control | 51 | 153643 | Shoulder Bolt—Height Adjuster |
| | 109470 | Bail—Coated | 52 | 152371 | Rope Guide |
| 13 | 105825 | Baffle—Front | 53 | 152637 | Spacer—Catcher Latch |
| 14 | 127191 | Baffle Assembly-Rear | 54 | 111856 | Cap-Bolt |
| 15 | 106005 | Blade Washer | 55 | 152686 | Spacer—Rear Wheel |
| 16 | 128686 | Height Adjuster Assembly | 56 | 310151 | Locknut—5/16-18 Nylok |
| 17 | 109546 | Catcher Frame Bracket | 57 | 450346 | Bolt—Hex 5/16-18 x 3/4 |
| 18 | 108324 | Catcher Latch | 58 | 458687 | Bolt—Hex Head 10-24 x 1/2 |
| 19 | 109496 | Trailing Shield Mounting Strip | 59 | 714170 | Decal—Rating Plate |
| 20 | 097162 | Handle Bracket—Right Hand | 60 | 715011 | Hitch Pin #3 |
| 21 | 097170 | Handle Bracket—Left Hand | 61 | 715037 | Locknut 1/4-20 Keps |
| 22 | 156869 | Screw—Hex Washer Head 10-32 x 3/8 | 62 | 451492 | Locknut 3/8-16 TopLock |
| 23 | 110379 | Cable Tie | 63 | 715292 | Bolt-Hex Head 1/4-20 x 1 |
| 24 | 111625 | Trailing Shield—Plastic | 64 | 715300 | Washer 1/4" |
| 25 | 450379 | Bolt-1/4-20 x 1 3/4 Hex | 65 | 715607 | Washer—Spring Wheel |
| 26 | 111724 | Knob—Catcher Latch | 66 | 715417 | Washer—3/8 SAE |
| 27 | 013706 | Door Assembly | 67 | 715508 | Locknut 1/4-20 Top |
| 28 | 126466 | Blade Adapter | 68 | 451419 | Locknut 1/4-20 Flanged Top |
| 29 | 133371 | Torsion Spring—Catcher Latch | 69 | 715078 | Nut—Flange Whiz 1/4-20 |
| 30 | 143115 | Decal—Danger | 70 | 155234 | Eyebolt-Cable |
| 31 | 002451 | Decal—Door Caution | 71 | 152223 | Nut-Hex 5/16-24 Jam |
| 32 | 001206 | Decal—Blade Warning | 72 | 110510 | Tip-Height Adjuster, Rear |
| 33 | 144899 | Decal—Starting Instructions | 73 | 156851 | Bolt 1/4-20 x 3/8 Shaved HD |
| 34 | 150011 | Bolt—Carriage 1/4-20 x 5/8 Gr. 5 | 74 | 156919 | Lockwasher 3/8 HD Split |
| 35 | 457168 | Bolt-3/8-16 x 7/8 Thread Forming | | | |

**NOTE: PARTS ARE RIGHT OR LEFT HAND AS VIEWED FROM THE OPERATOR POSITION.
SPECIFICATIONS SUBJECT TO CHANGE WITHOUT PRIOR NOTICE
*INDICATES OPTIONAL EQUIPMENT**