

MODEL CS100M
8 hp Chipper/Shredder

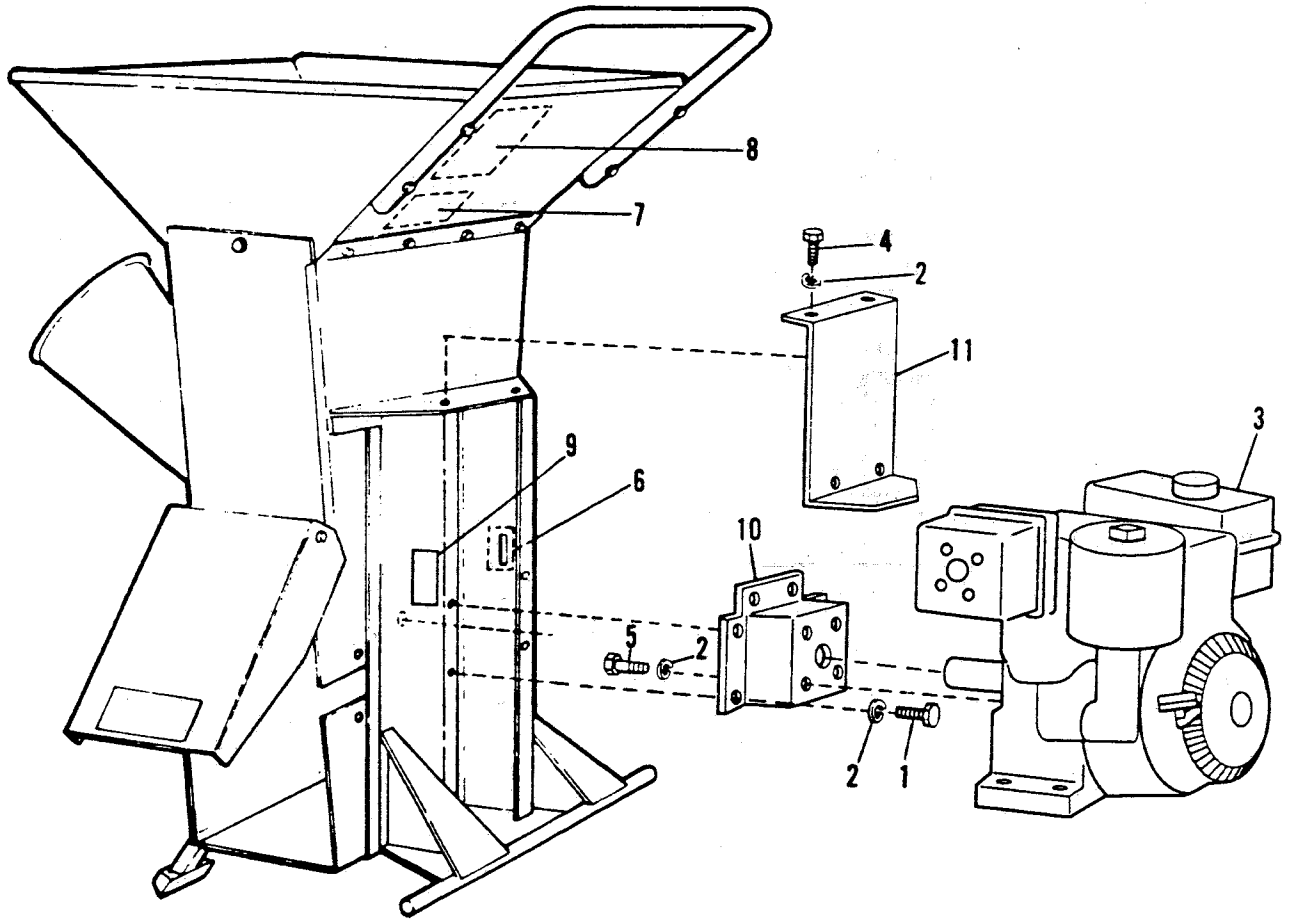
Housing Group

Ref. No.	Part No.	Qty.	Description
1	095130	2	HOPPER FRONT & BACK
2	095135	2	HOPPER END
3	164995	14	SCREW, Truss Hd., Phillips, 1/4-20 x 5/8
4	715078	20	NUT, Hex Flange, Whiz Lock, 1/4-20
5	450072	4	CAPSCREW, 1/4-20 x 1 1/2
6	095134	1	MAIN FRAME
7	095151	1	HANDLE
8		1	DECAL, OPEI
9	799641	5	DECAL, Danger
10	115442	1	GUARD, Cone Side
11	115443	1	GUARD, Engine Side
12		1	DECAL
13	095135	1	DEFLECTOR, Discharge
14	095136	1	DEFLECTOR, Rod
15	452128	2	NUT, Push, 1/4
16		1	LABEL (Shipping Only)
17	043189	2	WHEEL
18	164996	2	NUT, Push, 5/8
19	460311	1	CAPSCREW, Hex, 5/16-18 x 1-3/4
20	095137	1	LEG
21	310151	1	NUT, Nylock, 5/16-18
22	095138	2	ROD, Screen
23	095139	2	PLATE, Closure
24	311118	7	LOCKWASHER, 5/16
25	382275	4	CAPSCREW, Hex, 5/16-18 x 1/2
26	095140	1	ROD HOLDER
27	450346	16	CAPSCREW, Hex, 5/16-18 x 3/4
28	588519	1	SCREW, Truss Hd., Phillips, 1/4-20 x 1-1/2
29	095152	1	CONE, Chipper Hopper
30	400069	1	GOGGLES

MODEL CS100M
8 hp Chipper/Shredder

Engine & Drive Group

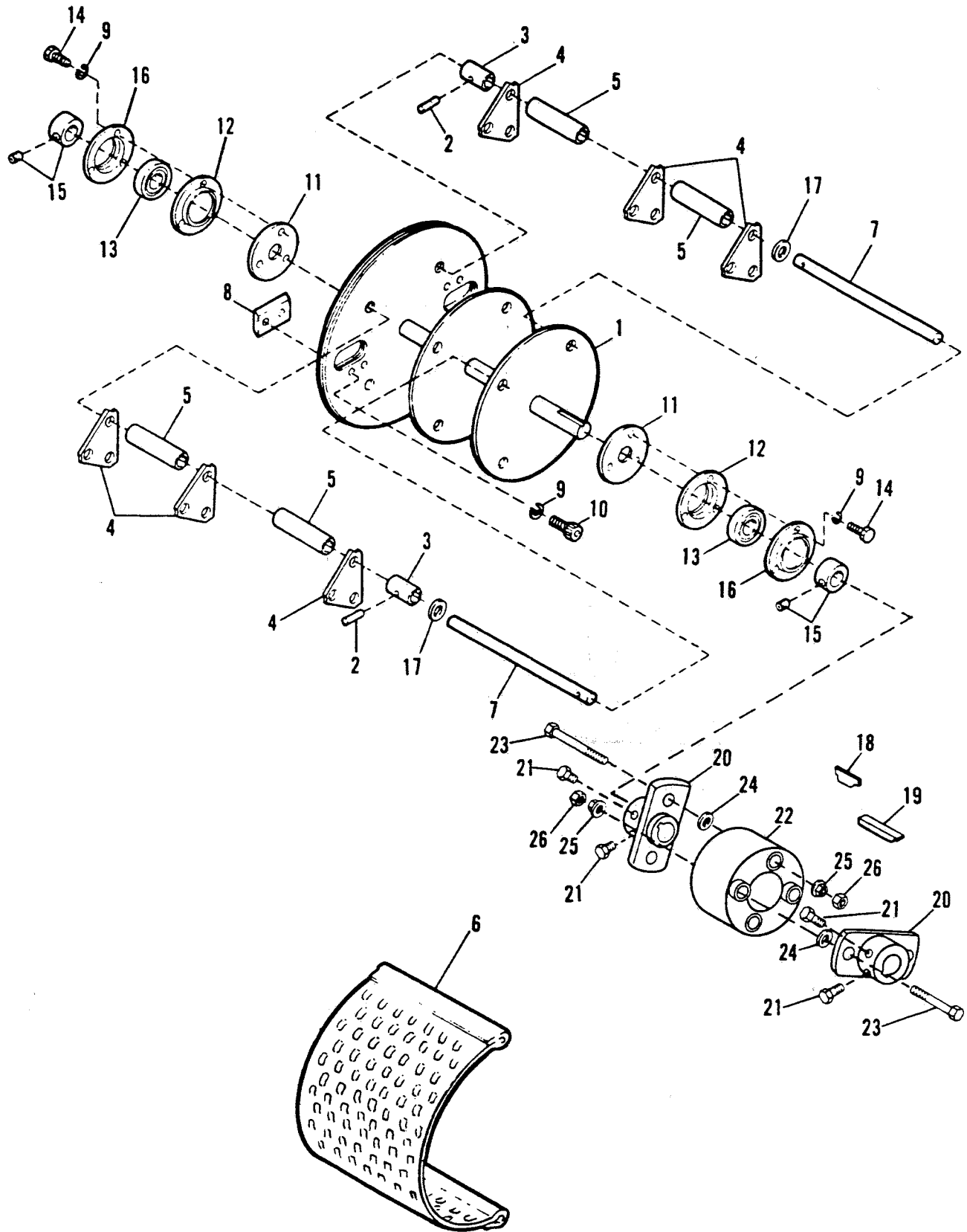
*2621



S/N 407433
O/M 406419

Engine & Drive Group

Ref. No.	Part No.	Qty.	Description
1	450346	4	CAPSCREW, Hex, 5/16-18 x 3/4
2	311118	12	LOCKWASHER, 5/16, Split
3		-	ENGINE (Not Serviced)
4	382275	4	CAPSCREW, Hex, 5/16-18 x 1/2
5	152116	4	CAPSCREW, Hex, 5/16-24 x 3/4
6		1	I. D. PLATE (Not Serviced)
7	799641	1	DECAL, Danger
8	799647	1	DECAL, Caution
9		1	DECAL, Patent, Chippers
10	095157	1	SUPPORT AND COVER PLATE ASSY.
11	095159	1	COVER



Rotor Group

Ref. No.	Part No.	Qty.	Description
1	095143	1	ROTOR
2	164997	4	ROLL PIN, 3/16 x 3/4
3	095144	4	SPACER, Short
4	095123	12	HAMMER
5	095145	8	SPACER, Long
6	095146	1	SCREEN, 3/4 Dia. circle openings (Standard)
	095187	1	SCREEN, 3/8 Dia. circle openings (Optional)
	095188	1	SCREEN, 1-1/2 Dia. circle openings (Optional)
	095189	1	SCREEN, 1-1/2 Oblong Slot openings (Optional)
7	095147	4	SHAFT
8	095148	2	KNIFE
9	311118	10	LOCKWASHER, 5/16
10	163741	4	CAPSCREW, Socket Head, 5/16-24 x 7/8
11	095153	2	GUARD, Bearing
12	095154	3	FLANGETTE
13	095155	2	BEARING (Includes Ref. No. 15)
14	450346	6	CAPSCREW, Hex, 5/16-18 x 3/4
15	095156	2	LOCKING COLLAR, Bearing
16	406416	2	FLANGETTE, w/Zerk Fitting
17	156596	4	WASHER, 1/2 ID x 7/8 OD x 1/16 Thk.
18	382895	1	KEY, Hi Pro, 1/4 x 7/8
19	382896	1	KEY, Hi Pro, 1/4 x 1-3/8
20	406417	1	HUB & PLATE ASSY., Drive
21	382897	4	SETSCREW, Sq. Hd. Cup Pt., 5/16-18 x 5/8 Gr. 8
22	406418	1	COUPLER, Drive
23	382898	4	CAPSCREW, Hex Hd., 3/8-16 x 2-3/4 Gr. 8
24	164989	4	WASHER, 13/32 x ID x 1 OD x 1/8 Thk.
25	382900	4	NUT, Hex Flange, Mac Lock, 3/8-16
26	715086	4	LOCKNUT, 2-way, 3/8-16