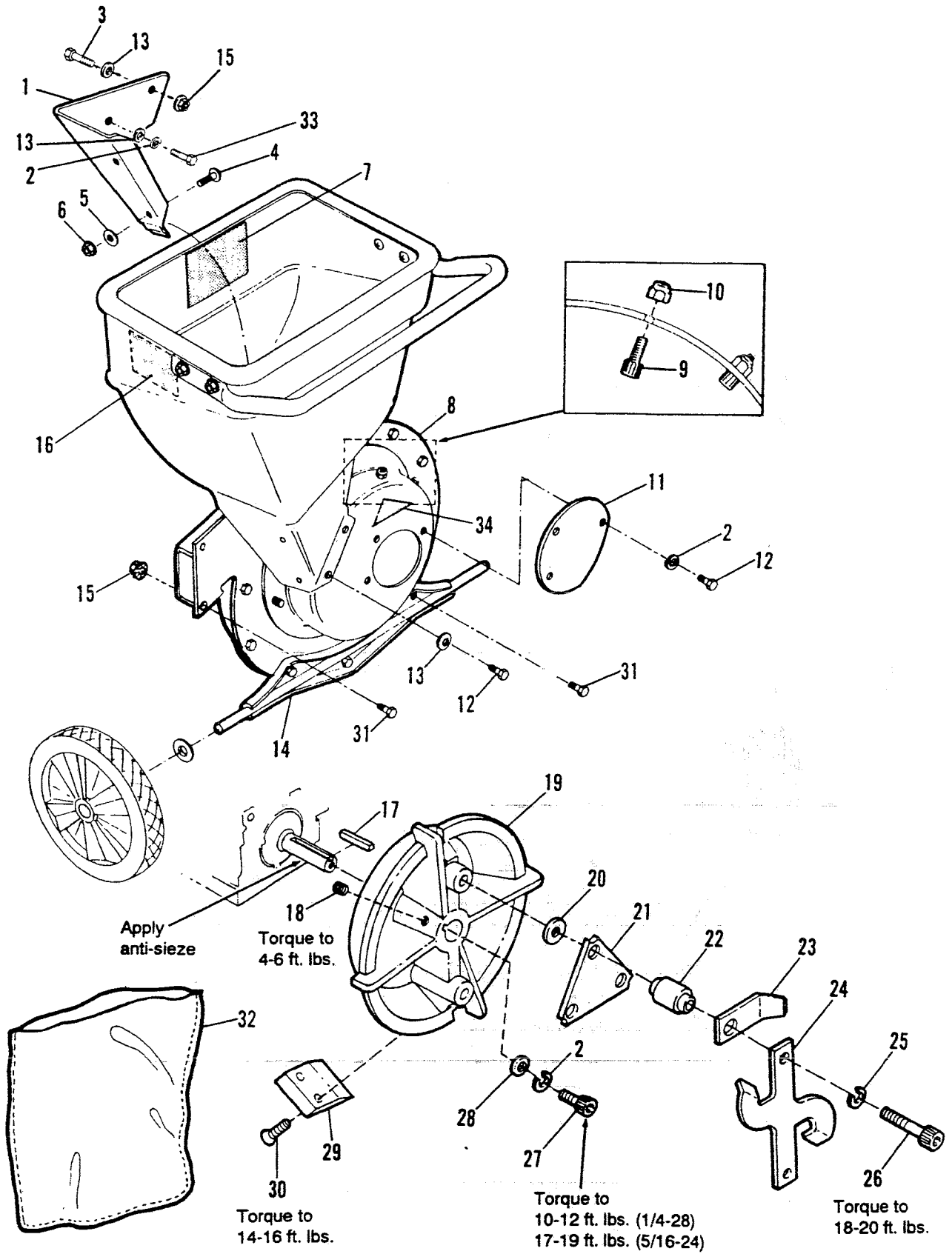


Hoppers & Engine/Motor Group

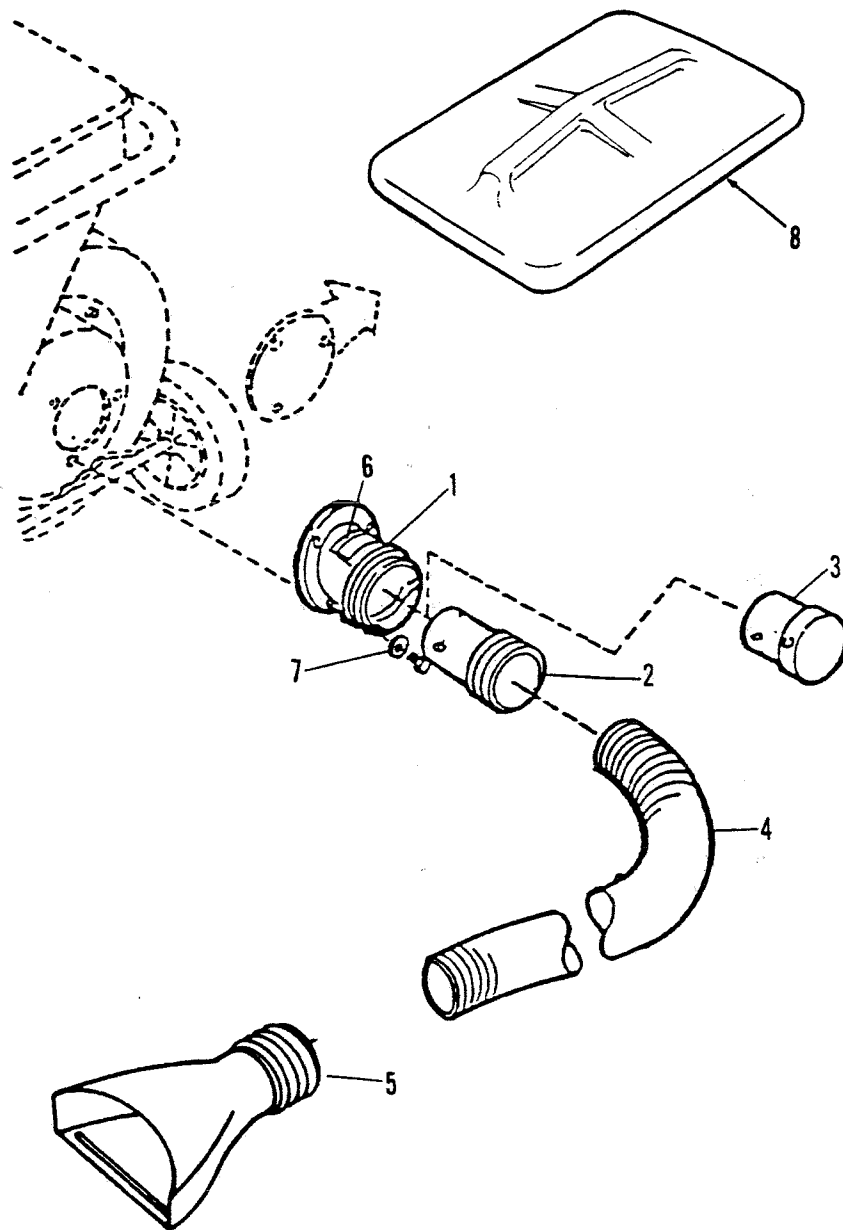
Ref. No.	Part No.	Qty.	Description
1	164983	14	SCREW, Button Hd., Hex Socket, 1/4-20 x 3/4
2	095112	1	RETAINING STRIP, Hopper Guard
3	115433	1	GUARD, Hopper
4	095113	1	HANDLE, Hopper
5	715078	12	NUT, Flange 2-Way Lock, 1/4-20
6	115434	1	CHIPPER CONE
7	799641	2	DECAL, Danger
8	616342	1	NUT, Shoulder
9	615690	4	WASHER, 1/4"
10	157610	3	NUT, Whiz, 5/16-18
11	095114	1	CHIPPER CONE CASTING
12	164984	2	WASHER, 1/2"
13	043188	2	WHEEL, 1-3/4 x 12
14	164985	2	PUSH NUT, 1/2"
15	799642	1	DECAL, Danger (Narrow)
16	095115	1	DISCHARGE DEFLECTOR
17	164986	1	BOLT, Shoulder
18	095116	1	LEG TUBE ASSEMBLY
19	310151	1	NUT, ESNA, 5/16-18
20	460311	1	CAPSCREW, Hex. Hd., 5/16-18 x 1-3/4
21	799643	1	DECAL, Caution-Motor
22	400069	1	GOGGLES
23	138979	1	MOTOR ASSY., 1-1/2 HP Electric
24	799644	1	DECAL, Danger-Motor
25	095117	1	CHIPPER HOUSING
26	150185	4	LOCKWASHER, 3/8"
27	525121	4	CAPSCREW, Hex Hd., 3/8-16 x 5/8
28		1	I.D. PLATE (Not Serviced)
29	115437	1	SUPPORT, Hopper Guard
30		1	DECAL
31	115438	1	SHREDDER HOPPER
32	799645	1	DECAL, On-Off



S/N 407432
O/M 406414

Housing & Rotor Group

Ref. No.	Part No.	Qty.	Description
1	095118	1	HOPPER LINER
2	311118	5	LOCKWASHER, 5/16
3	450346	1	CAPSCREW, Hex Hd., 5/16-18 x 3/4
4	164983	2	SCREW, Button Hd., Hex Socket, 1/4-20 x 3/4
5	615690	2	WASHER, Flat, 1/4"
6	715078	2	NUT, 2-Way Lock, 1/4-20
7	799646	1	DECAL, Caution/Operate
8	095119	1	BAFFLE PLATE ASSY.
9	164987	2	CAPSCREW, Soc. Hd., 5/16-18 x 1/2
10	310151	2	NUT, Nylock, 5/16-18
11	095120	1	COVER, Rotor Housing
12	382275	5	CAPSCREW, Hex Hd., 5/16-18 x 1/2
13	158113	4	WASHER, Flat, 5/16
14	095121	1	AXLE ASSY.
15	157610	9	NUT, Whiz Lock, 5/16-18
16	799641	1	DECAL, Danger
17	164988	1	KEY, 3/16 x 1/4 x 1-7/8
18	162644	1	SETSCREW, 1/4-20 x 3/8
19	095122	1	ROTOR
20	164989	2	WASHER, 3/8"
21	095123	2	HAMMER, Triangular
22	095124	2	SPACER
23	095125	2	HAMMER, "J"
24	095126	1	BOOSTER FAN
25	156919	2	LOCKWASHER, 3/8
26	164990	2	CAPSCREW, Hex. Soc. Hd., w/Patch, 3/8-16 x 2 1/2
27	164991	1	CAPSCREW, Hex. Soc. Hd., w/Patch, 5/16-24 x 1
28	164992	1	WASHER, 5/16
29	095127	2	KNIFE
30	164993	4	SCREW, Machine, Soc. Flt. Hd., 5/16-18 x 3/4
31	164994	10	CAPSCREW, Hex Hd., 5/16-18 x 5/8
32	115440	1	BAG, 24" x 36"
33	152108	1	CAPSCREW, Hex Hd., 5/16-18 x 1
34		1	DECAL, OPEI (Not Serviced)



Ref. No.	Part No.	Qty.	Description
1	406360	1	ADAPTER
2	406361	1	COUPLER
3	406362	1	PLUG
4	406363	1	HOSE, 4' x 4" diameter
5	406364	1	LEAF TRAY
6	799641	1	DECAL, Danger
7	158113	3	WASHER, Flat, 5/16
8	406359	1	HOPPER LID