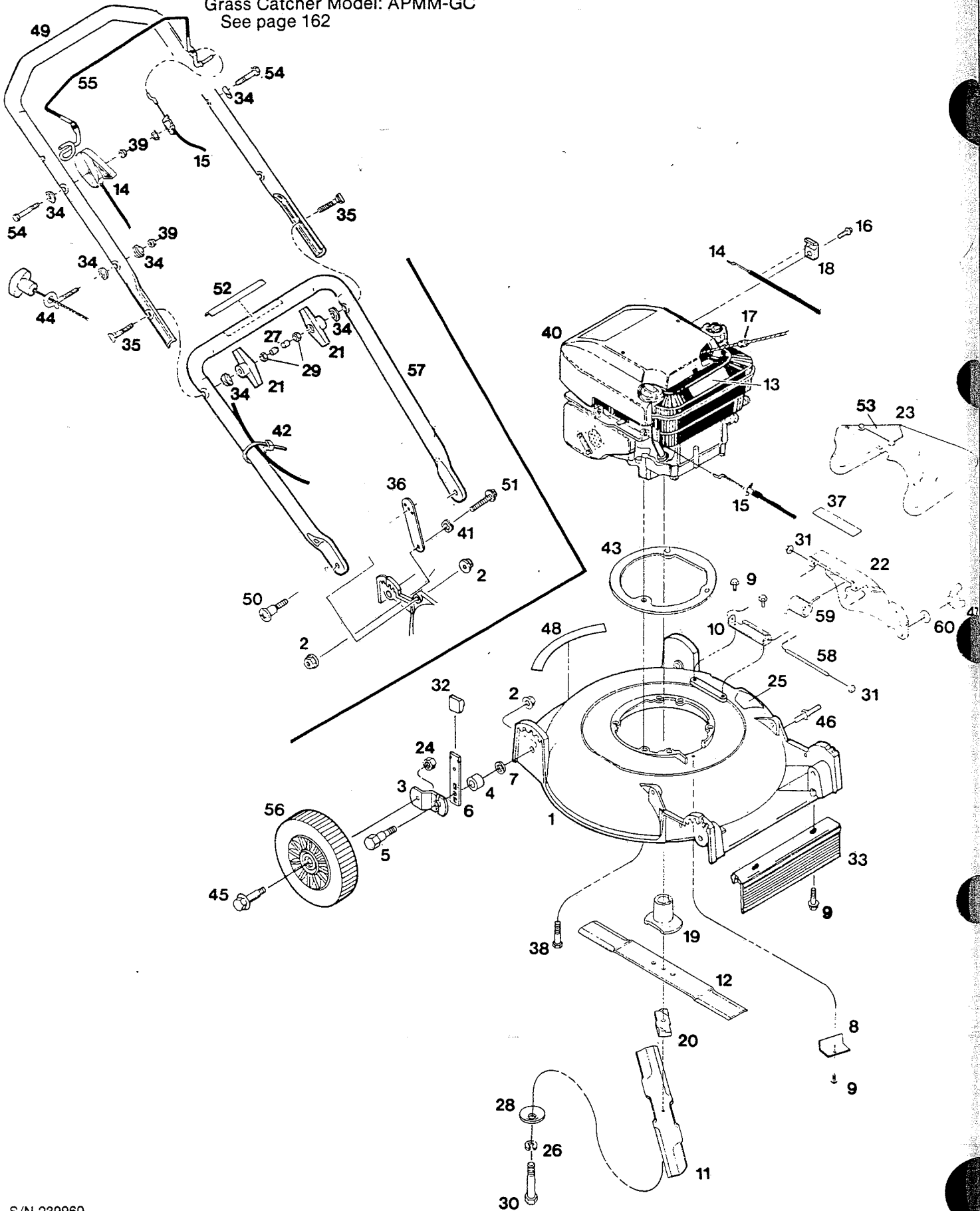


**MODEL: DCM20/5M**  
**5 hp 20" CUT CONVERTIBLE MULCHING MOWER**  
 Grass Catcher Model: APMG-GC  
 See page 162



S/N 239960  
 P/L 082760  
 O/M 086667  
 E/M 082690

**MODEL: DCM20/5M**  
**5 hp 20" CUT CONVERTIBLE MULCHING MOWER**  
 Grass Catcher Model: APMM-GC  
 See page 162

INDEX NO.	PART NO.	DESCRIPTION	INDEX NO.	PART NO.	DESCRIPTION
1	094913	Deck - 20" red	32	579717	Plastic tip - height adjuster
2	159236	Nut - 5/16" flg. lock	33	115468	Trailing shield - plastic
3	031455	Wheel arm	34	150201	Washer - 5/16" curved
4	581274	Spacer - wheel	35	151936	Bolt - curved head 5/16-18 x 2-3/4
5	581490	Bolt - height adjuster	36	095176	Handle support
6	588452	Setting lever assembly L.H.	37	799505	Decal - mulch cover danger
	588451	Setting lever assembly R.H.	38	382881	Bolt - 3/8-16 x 1-3/4" HHCS Gr. 5
7	715185	Washer - flat 5/16"	39	715037	Nut - 1/4-20 hex keps
8	589328	Cover - belt	40	*	Engine
9	583021	Screw - 1/4-20 x 3/4" hex tap	41	583302	Washer - 5/16" wave
10	095003	Bracket - hinge	42	587059	Cable tie
11	031420	Blade - 20"	43	588984	Engine ring
12	031421	Blade - recut 20"	44	587287	Eyebolt - rope guide 1/4-20
13	009415	Decal - blade warning	45	382889	Bolt - wheel
14	053049	Control - throttle w/cable	46	587992	Stud - 1/4-20 x 3/4"
15	053082	Cable - engine/blade control	47	587998	Nut - 1/4-20 wing
16	150623	Screw - #10-16 x 5/8" tap	48	799562	Decal - logo 20"
17	152074	Rope stop	49	073553	Handle - upper
18	157552	Cable clamp	50	588491	Bolt - handle mtg.
19	095217	Adapter - blade with key	51	588499	Bolt - handle supt.
20	094911	Spacer - blade	52	799599	Decal - starting instructions
21	113589	Wing nut - plastic	53	144063	Decal - DANGER
22	115329	Cover - mulch 20"	54	588161	Bolt - 1/4-20 x 2" hex
23	115360	Chute deflector assembly	55	073574	Bail - engine/blade control
24	715391	Nut - 3/8-16 hex	56	588697	Wheel - 8" push
25	143115	Decal - CPSC danger	57	588807	Handle - lower
26	156919	Washer - 3/8" lock H.D.	58	604081	Hinge rod
27	110064	Cap - bolt end, plastic	59	604082	Spring - mulch cover
28	164681	Washer - 3/8" conical	60	615690	Washer - 1/4" flat
29	310045	Nut - 5/16-18 hex			
30	382846	Bolt - 3/8-24 x 3-1/2" HHCS Gr. 8			
31	452128	Nut - 1/4 push-on,			

\* Contact engine manufacturer's authorized service dealer for parts and warranty.

S/N 239960  
 P/L 082760  
 O/M 086667  
 E/M 082690