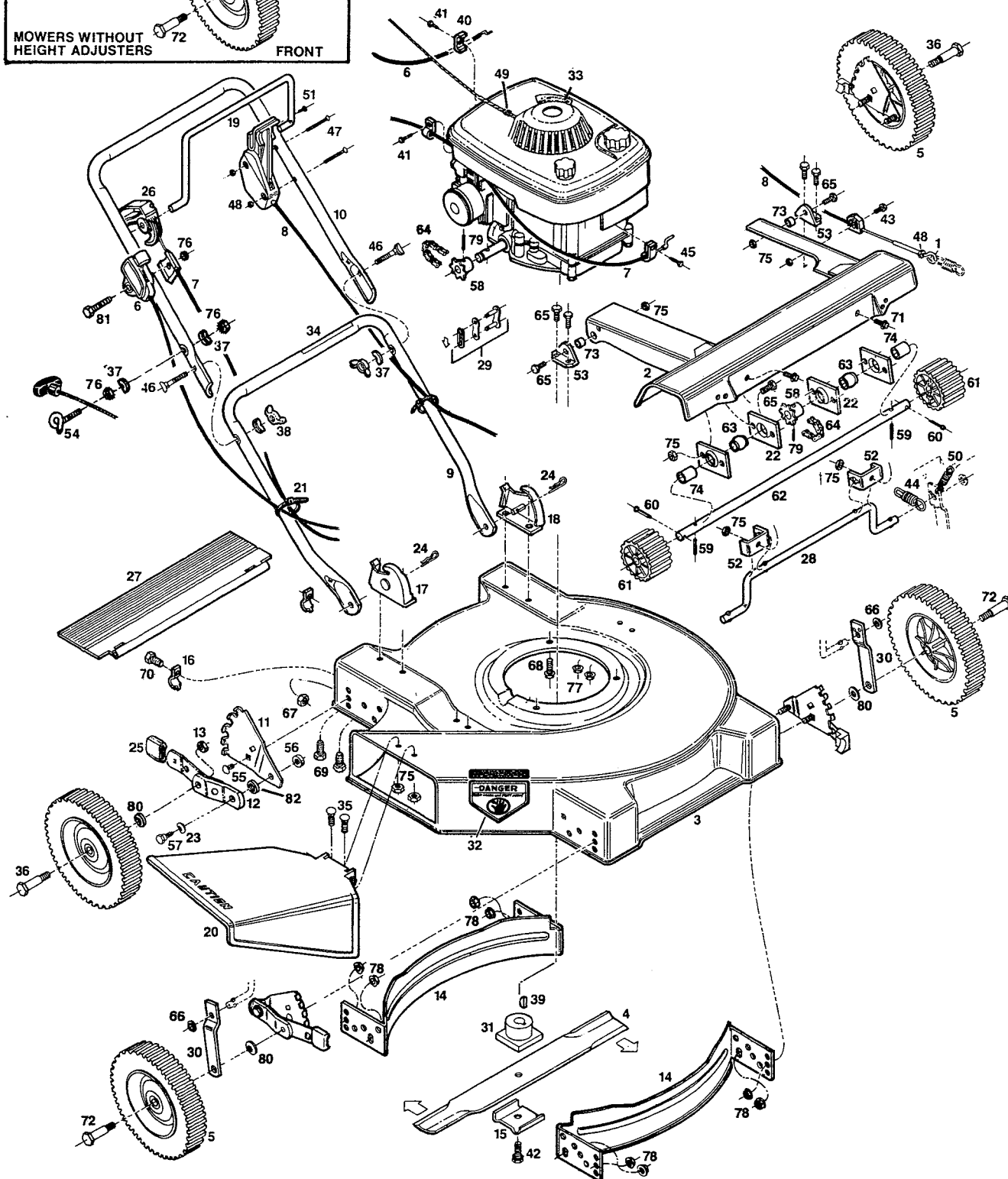
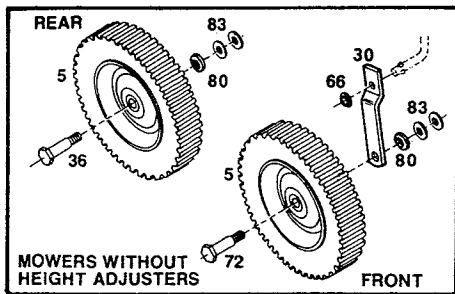


**22" Self Propelled Front Cog Drive
Rotary Mower
Model DDRSP22F
Grass Catcher GC-6A**



**22" Self Propelled Front Cog Drive
Rotary Mower
Model DDRSP22F
Grass Catcher GC-6A**

Index No.	Part No.	Description	Index No.	Part No.	Description
1	153890	Eyebolt	40	150318	Cable Clamp
2	024497	Cover Assembly w/o Ht. Adj.	41	150623	Screw Hex Head Sht. Metal #10 x 5/8
	012823	Cover Assembly w/Ht. Adj.	42	150862	Bolt-Blade 3/8-24 x 3/4
3	014316	Deck - 22" Red	43	151522	Bolt #10-24 x 3/8
4	030049	Blade 22" Flat	44	775858	Spring - Drive Control
5		Wheel Assemblies*	45	151613	Bolt - Hex Head Sems #10-32 x 3/8
	040741	Wheel - 8" Plastic White Cog	46	151928	Bolt - Curved Head Square 5/16-18 x 1 3/4
	040766	Wheel - 7" Plastic White Cog	47	151944	Bolt - Oval Head Machine, #10-24 x 2
6	051235	Control - Throttle w/Cable	48	151985	Nut - Hex #10-24
7	051490	Cable - Engine/Blade Control	49	152074	Rope Stop
8	051607	Control - Ground Drive	50	775817	Spring - Pinion Assy.
9	071563	Handle - Lower	51	152181	Screw - Bail Retaining
10	071092	Handle - Upper	52	771691	Bracket
	071100	Handle - Upper Cushioned*	53	769067	Bracket - Pinion Tube
11	090589	Back Plate - Ht. Adjuster*	54	152371	Rope Guide
12	091033	Wheel Arm Assy.	55	152405	Bolt - Carriage 3/8-16 x 3/4*
13	715524	Locknut 3/8-16 Jam	56	156182	Washer - Plastic*
14	101519	Baffle - Rear Standard, Front*	57	156125	Shoulder Bolt - Ht. Adjuster*
15	106336	Washer - Blade Adapter	58	170142	Sprocket - 8 Tooth
16	106914	Clip - Trailing Shield	59	314096	Roll Pin 3/16 x 1-1/4
17	107086	Handle Bracket - R.H.	60	317016	Cotter Pin 1/8 x 1
18	107094	Handle Bracket - L.H.	61	416693	Pinion
19	097659	Bail - Engine/Blade Control	62	417741	Shaft w/o Ht. Adj.
20	110221	Chute Deflector Assembly		417766	Shaft w/ Ht. Adj.
21	110379	Cable Tie	63	423319	Bearing
22	463778	Bearing Plate	64	425306	Chain
23	152421	Spring Washer	65	449587	Bolt - Hex Head 1/4-20 x 5/8
24	715011	Hitch Pin	66	452250	Push Nut
25	112540	Plastic Tip - Ht. Adjuster*	67	452318	Nut - Nylon Insert #10-24
26	111526	Actuator-Engine Control	68	457168	Bolt - Thread Form 3/8-16 x 7/8
27	111609	Trailing Shield - 22" w/o Ht. Adj.	69	457499	Bolt - Thread Form 1/4-20 x 1/2
	111617	Trailing Shield - 22" w/ Ht. Adj.	70	458687	Bolt - #10-24 x 1/2
28	128728	Rod - Engagement w/o Ht. Adj.	71	459206	Bolt - Flange Head, 1/4-20 x 5/8
	783613	Rod - Engagement w/Ht. Adj.	72	156166	Bolt - Shoulder Front
29	120295	Master Link #65	73	468355	Spacer Pivot
30	778696	Actuator Arm - 8" Wheel	74	468405	Spacer - w/Ht. Adj.
	108878	Actuator Arm - 7" Wheel		468397	Spacer - w/o Ht. Adj.
31	133231	Blade Adapter	75	715508	Nut - Top Lock 1/4-20
32	144063	Decal - Danger	76	715037	Nut - Kep 1/4-20
33	001206	Decal - Blade Warning	77	451419	Nut - Top Lock Flange 1/4:20
34	144899	Decal - Starting Instructions	78	451492	Nut 3/8-16 Top Lock Flange
35	150011	Bolt - Carriage 1/4-20 x 5/8	79	715193	Roll Pin 3/16 x 1
36	150060	Shoulder Bolt - Rear w/Ht. Adj.	80	715607	Washer - Belleville
	150730	Shoulder Bolt - Rear w/o Ht. Adj.	81	153874	Bolt - 1/4-20 x 2 1/4 Hex Head
37	150201	Washer - Curved 5/16	82	156877	Washer - 3/8 Hardened
38	150235	Wingnut 5/16-18	83	715417	Washer - 3/8 SAE
39	150276	Woodruff Key #6			

**NOTE: PARTS ARE RIGHT OR LEFT HAND AS VIEWED FROM THE OPERATOR POSITION.
SPECIFICATIONS SUBJECT TO CHANGE WITHOUT PRIOR NOTICE
*INDICATES OPTIONAL EQUIPMENT**