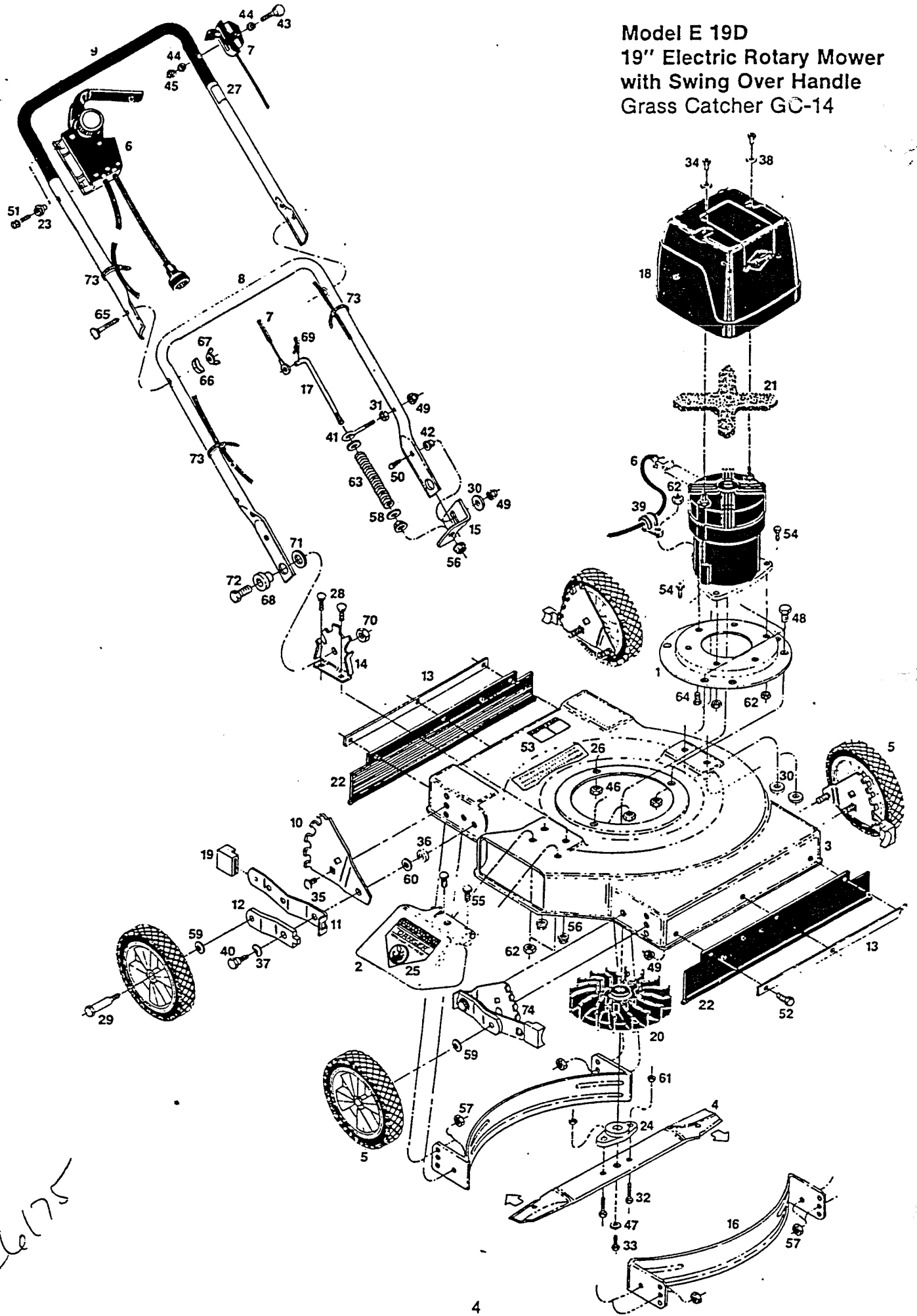


Model E 19D
19" Electric Rotary Mower
with Swing Over Handle
Grass Catcher GC-14



226175

Model E 19D
19" Electric Rotary Mower
with Swing Over Handle
Grass Catcher GC-14

PARTS LIST

Index No.	Part No.	Description	Index No.	Part No.	Description
1	107821	Plate-Motor	38	152728	Washer-Shroud Retaining Nut
2	024372	Chute Deflector*	39	152884	Strain Relief-Electric Cord
3	024406	Deck-19"	40	153643	Shoulder Bolt-Ht. Adj.
4	030460	Blade 19"	41	153890	Eyebolt #10-24 x 2.00
5	040246	Wheel-7 x 1.50	42	154047	Spacer-Lock Plate
6	050690	Control-Electric Motor*	43	154112	Bolt-Plastic, Handle Control
7	050708	Control-Handle Release	44	154120	Washer-Plastic, Handle Control
8	071662	Handle-Lower	45	154138	Nut-Plastic, Handle Control
9	071696	Handle-Upper	46	310151	Nut - 5/16-18 Nylok
10	090589	Back Plate-Ht. Adj.	47	311118	Washer-5/16 Split Lock
11	090613	Setting Lever-Ht. Adj.	48	312066	Bolt 5/16-18 x 3/4 Hex
12	090712	Wheel Lever-Ht. Adj.	49	452318	Nut #10-24 Nylok
13	107151	Backing Strip-Trailing Shield	50	459388	Screw #10-24 x 3/4 Hx WHD
14	107318	Handle Bracket	51	459446	Screw #10-24 x 1-1/2 Hx WHD
15	107342	Lock Plate	52	458687	Screw #10-24 x 1/2 Hx HD
16	107458	Baffle-Deck	53	714170	Decal-Model Number
17	107805	Rod-Handle Lock	54	715045	Bolt 1/4-20 x 3/4 Hx HD
18	111146	Shroud-Electric Motor*	55	715052	Bolt 1/4-20 x 1/2 Hx HD
19	111260	Tip-Adjuster Lever	56	715078	Nut 1/4-20 Flange Whiz
20	111393	Fan-Electric Motor*	57	715086	Nut 3/8-16 Lock
21	111427	Filter-Electric Motor*	58	715300	Washer .25 Flat
22	111625	Shield-Trailing	59	715607	Washer-Belleville
23	111732	Insulator-Electric Control	60	715417	Washer 3/8 SAE
24	132886	Adapter-Blade	61	715490	Nut 5/16-18 Top Lock
25	144063	Decal-Danger*	62	715508	Nut 1/4-20 Top Lock
26	145607	Decal-U.L. Rating	63	775825	Spring-Handle Latch
27	147421	Decal-Handle Control	64	715292	Bolt 1/4-20 x 1" Hx HD
28	150011	Carriage Bolt 1/4-20 x 5/8	65	151928	Bolt 5/16-18 x 1.75
29	150060	Wheel Bolt	66	150201	Curved Washer
30	151555	Washer .25 ID x 1.0 OD	67	150235	Wingnut 5/16-18
31	151985	Nut Hex #10-24	68	153775	Pivot Bushing
32	152108	Bolt HH 5/16-18 x 1 Grade 5	69	490011	Hairpin-Cotter
33	152116	Bolt HH 5/16-24 x .75 Grade 8	70	715086	Nut 3/8-16 Lock
34	152173	Hex Nut-Motor Shroud	71	715144	Washer-Spacer
35	152405	Carriage Bolt 3/8 x 3/4	72	715326	Bolt 3/8-16 x 1.0
36	152413	Washer-Plastic, Ht. Adj.	73	110379	Cable Tie
37	152421	Spring Washer-Ht. Adj.	74	128686	Height Adjuster Assembly