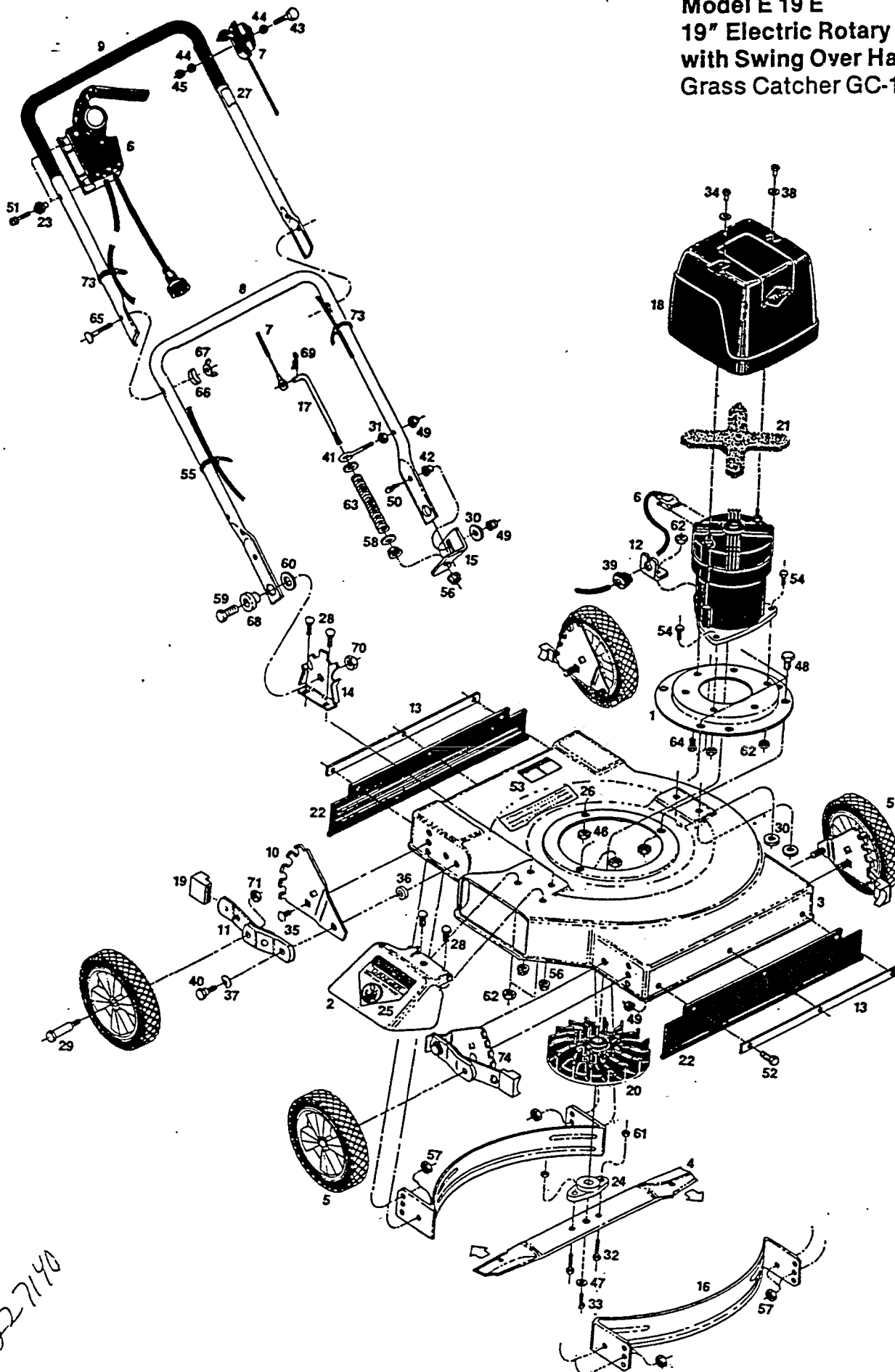


Model E 19 E
19" Electric Rotary Mower
with Swing Over Handle
Grass Catcher GC-14



227140

Model 19 E E
19" Electric Rotary Mower
with Swing Over Handle
Grass Catcher GC-14

PARTS LIST

Index No.	Part No.	Description	Index No.	Part No.	Description
1	029868	Plate-Motor	36	156182	Washer-Plastic, Ht. Adj.
2	024372	Chute Deflector*	37	152421	Spring Washer-Ht. Adj.
3	024398	Deck-19" Red	38	152728	Washer-Shroud Retaining Nut
	024380	Deck-19" Met. Green	39	447771	Strain Relief-Electric Cord
4	030460	Blade 19"	40	156125	Shoulder Bolt-Ht. Adj.
5	498618	Wheel-7 x 1.50	41	153890	Eyebolt #10-24 x 2.00
6	050690	Control-Electric Motor*	42	154047	Spacer-Lock Plate
7	050708	Control-Handle Release	43	154112	Bolt-Plastic, Handle Control
8	071662	Handle-Lower	44	154120	Washer-Plastic, Handle Control
9	071696	Handle-Upper	45	154138	Nut-Plastic, Handle Control
10	090589	Back Plate-Ht. Adj.	46	310151	Nut - 5/16-18 Nylok
11	091033	Wheel Arm Assy.	47	311118	Washer-5/16 Split Lock
12	664144	BRKT-Cord	48	312066	Bolt 5/16-18 x 3/4 Hex
13	109496	Backing Strip-Trailing Shield	49	452318	Nut #10-24 Nylok
14	107318	Handle Bracket	50	459388	Screw #10-24 x 3/4 Hx WHD
15	107342	Lock Plate	51	459446	Screw #10-24 x 1-1/2 Hx WHD
16	107458	Baffle-Deck	52	458687	Screw #10-24 x 1/2 Hx HD
17	107805	Rod-Handle Lock	53	714170	Decal-Model Number
18	111146	Shroud-Electric Motor*	54	715045	Bolt 1/4-20 x 3/4 Hx HD
19	111260	Tip-Adjuster Lever	55	110379	Cable Tie
20	111393	Fan-Electric Motor*	56	715078	Nut 1/4-20 Flange Whiz
21	111427	Filter-Electric Motor*	57	715086	Nut 3/8-16 Lock
22	111625	Shield-Trailing	58	715300	Washer .25 Flat
23	111732	Insulator-Electric Control	59	715326	Bolt 3/8-16x 1.0
24	132886	Adapter-Blade	60	715144	Washer-Spacer
25	144063	Decal-Danger*	61	715490	Nut 5/16-18 Top Lock
26	145607	Decal-U.L. Rating	62	715508	Nut 1/4-20 Top Lock
27	147421	Decal-Handle Control	63	775825	Spring-Handle Latch
28	150011	Carriage Bolt 1/4-20 x 5/8	64	715292	Bolt 1/4-20 x 1" Hx HD
29	156141	Wheel Bolt	65	151928	Bolt 5/16-18 x 1.75
30	151555	Washer .25 ID x 1.0 OD	66	150201	Curved Washer
31	151985	Nut Hex #10-24	67	150235	Wingnut 5/16-18
32	152108	Bolt HH 5/16-18 x 1 Grade 5	68	153775	Pivot Bushing
33	152116	Bolt HH 5/16-24 x .75 Grade 8	69	715011	Hairpin-Cotter
34	152173	Hex Nut-Motor Shroud	70	715086	Nut 3/8-16 Lock
35	152405	Carriage Bolt 3/8 x 3/4	71	715524	Locknut-3/8-16 Jam