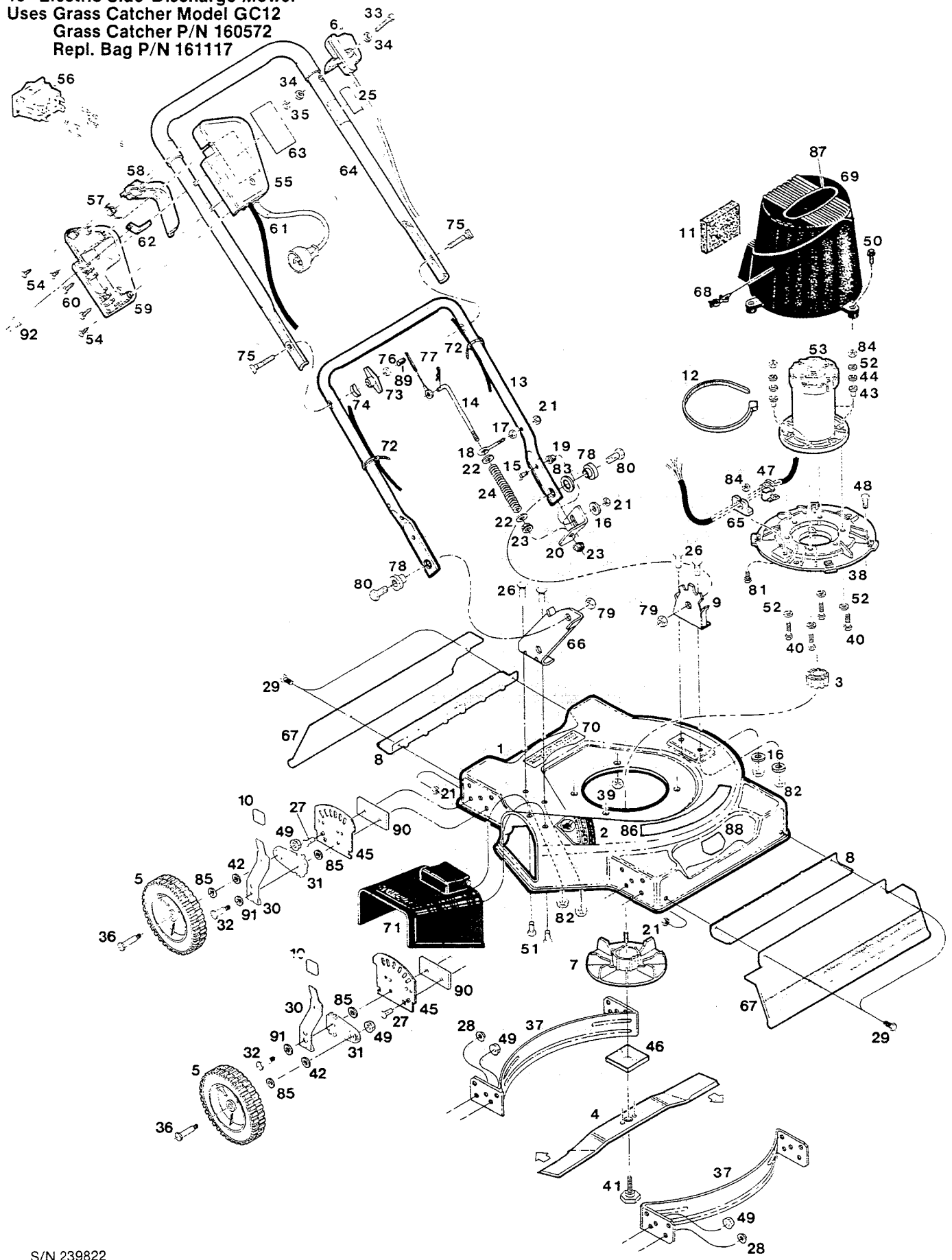


**MODEL EA919BM**  
**19" Electric Side-Discharge Mower**  
**Uses Grass Catcher Model GC12**  
**Grass Catcher P/N 160572**  
**Repl. Bag P/N 161117**



S/N 239822  
P/L 838392  
O/M 838393

MODEL EA919BM  
 19" Electric Side-Discharge Mower  
 Uses Grass Catcher Model GC12  
 Grass Catcher P/N 160572  
 Repl. Bag P/N 161117

Index No.	Part No.	Description	Index No.	Part No.	Description
1	023093	Deck 19"	48	450346	Bolt-5/16-18 x 3/4
2	007518	Decal - Danger	49	156406	Nut - 3/8-16 Flange Lock
3	018507	Adapter-Blade	50	164972	Screw - #10-32 x 1 Self Tap
4	018515	Blade-19"	51	457499	Bolt - 1/4-20 x 7/16 Self Tap
5	043141	Wheel - 7" White-Plastic	52	462093	Washer - Flat 1/4"
6	050708	Control-Handle Release	53	831413	Motor - Electric
7	099705	Fan - Electric Motor	54	152801	Screw - #8 - 12 x 3/4"
8	095093	Strip - Trailing Shield	55	630277	Switch Box Body
9	107318	Handle Bracket L.H.	56	630285	Switch - Control
10	114462	Tip-Adjuster Lever	57	630293	Spring - Lever
11	113761	Filter-Electric Motor	58	630301	Lever - Switch Box
12	113951	Cable Tie 15"	59	630327	Cover-Switch
13	073106	Handle-Lower	60	630343	Screw - #10-8 x 1 1/4"
14	107805	Rod-Handle Lock	61	630350	Wire Harness Assembly
15	151522	Screw - #10-24 x 3/4 Hex	62	813142	Bracket - Switch
16	151555	Washer - Flat 1/4" I.D. 1 O.D.	63	680793	Decal - Handle Control
17	151985	Nut - #10-24 Hex	64	073080	Handle - Upper Coated
18	153890	Eye bolt #10-24 x 2	65	664144	Bracket - Cord
19	154047	Spacer - Lock Plate	66	665281	Handle Bracket RH.
20	179341	Plate - Lock	67	841508	Shield - Trailing
21	452318	Nut - #10-24 Nylock	68	667519	Clip - Cord
22	462093	Washer - Flat 1/4"	69	841506	Shroud - Electric Motor (When ordering new shroud also order 667519 Cord Clip)
23	715078	Nut - 1/4-20 Flange Whiz	70	680801	Decal - U.L. Control No.
24	775825	Spring - Handle Latch	71	713263	Chute Deflector w/bracket
25	147421	Decal - Handle Control	72	110379	Cable Tie
26	150011	Bolt-Carriage 1/4-20 x 5/8	73	113589	Knob - Wing
27	313510	Bolt - Carriage 5/16-18 x 3/4	74	150201	Curved Washer
28	157610	Nut - hex 5/16-18 flange lock	75	151936	Bolt - Curved Head 5/16 - 18 x 2 1/4
29	458687	Screw - #10 - 24 x 1/2	76	310045	Nut - 5/16 - 18
30	092817	Setting Lever - Ht. Adj.	77	490011	Hairpin - Cotter
31	091819	Wheel Arm	78	673251	Bushing Pivot Plastic
32	164897	Bolt - shoulder 3/8-16 x 1-5/8	79	715086	Nut - 3/8 - 16 Top Lock
33	154112	Bolt - Plastic, Handle Control	80	715326	Bolt - 3/8 - 16 x 1"
34	154120	Washer - Plastic, Handle Control	81	715052	Bolt - 1/4 - 20 x 1/2"
35	154138	Nut - Plastic, Handle Control	82	715078	Nut - 1/4 - 20 Flange Lock
36	150730	Wheel Bolt 3/8-16	83	461731	Washer - 3/8 Flat
37	093047	Baffle - Deck	84	715508	Nut - 1/4 - 20 Top Lock
38	841505	Plate - Motor	85	715607	Washer - 3/8 Belleville
39	310151	Nut - 5/16-18 Nylock	86	798660	Decal - Deck
40	312108	Bolt - 1/4"-20 x 1-1/4	87	827399	Decal Caution
41	382820	Bolt - Blade 3/8-24	88	680041	Decal 19" Cut
42	715417	Washer - Flat	89	110064	Cap-Plastic
43	380576	Bushing - Nylon Flange	90	841509	Shim-back plate
44	380584	Washer - Plastic	91	164020	Washer-hardened
45	092775	Back Plate - Ht. Adj.	92	813143	Spring-control lever
46	841504	Spacer-blade			
47	447771	Strain Relief-Electric Cord			

S/N 239822  
 P/L 838392  
 O/M 838393