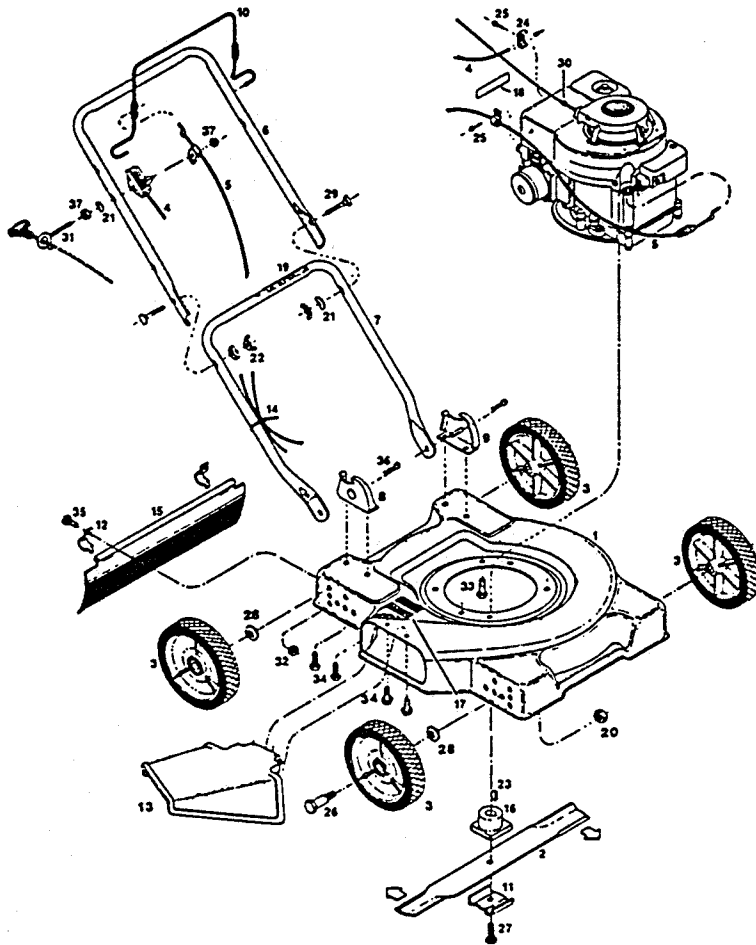


**MODEL: FUB19L**  
**19" CUT SIDE-DISCHARGE ROTARY MOWER**

Use Grass Catcher Model: GC6AA

Grass Catcher: P/N 161018

Repl. Bag: P/N 161158



ITEM NO.	PART NO.	DESCRIPTION
1	022277	Deck 19"
2	030023	Blade - 19" Flat
3	041533	Wheel 6-1/2" Plastic
	041012	Wheel 6" Plastic
	041863	Wheel 7" Steel
	043000	Wheel 7" Plastic - Diamond
4	051219	Control - Throttle Plastic
5	052142	Cable - Engine/Blade Control
6	071076	Handle - Upper
7	071563	Handle - Lower
8	088369	Handle Bracket - Right Hand
9	088377	Handle Bracket - Left Hand
10	104687	Bail - Engine/Blade Control
11	106336	Washer - Blade Adapter
12	106914	Clip - Trailing Shield
13	394619	Chute Deflector Assembly
14	110379	Cable Tie
15	114389	Trailing Shield
16	133231	Blade Adapter
17	144063	Decal - C.P.S.C. Danger
18	009415	Decal - Blade Warning
19	715557	Decal - Starting Instructions
20	156406	Locknut 3/8-16 Flange Lock
21	150201	Washer - Curved 5/16
22	150235	Wingnut 5/16-18
23	150276	Woodruff Key #6
24	150318	Cable Clamp
25	150623	Self Tap Screw #10 x 5/8
26	150060	Shoulder Bolt - Wheel
	150730	Shoulder Bolt - Wheel 7"
27	162024	Bolt-Blade 3/8-24 x 1-1/4 Gr. 8
28	715607	Washer - Belleville
29	151928	Bolt - Curved Head 5/16-18 x 1-3/4
30	152074	Rope Stop
31	152629	Rope Guide
32	452318	Nut #10-24 Hx Nylon Insert
33	457168	Bolt - Hex Head Self Tap 3/8-16 x 7/8
34	457499	Bolt - Self Tap 1/4-20 x 5/8
35	458687	Bolt #10-24 x 1/2
36	715011	Hairpin Cotter
37	715037	Nut - Keps 1/4-20

- When servicing this unit use only genuine General Power OEM replacement parts that are specifically designed and engineered for this particular model.
- Do not operate unit unless all parts are properly attached and in good working order.
- Parts are right or left hand as viewed from the operator's position.
- Specifications are subject to change without notice.