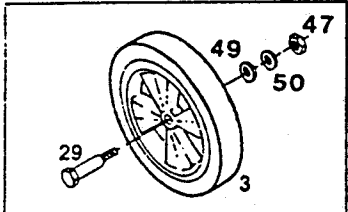
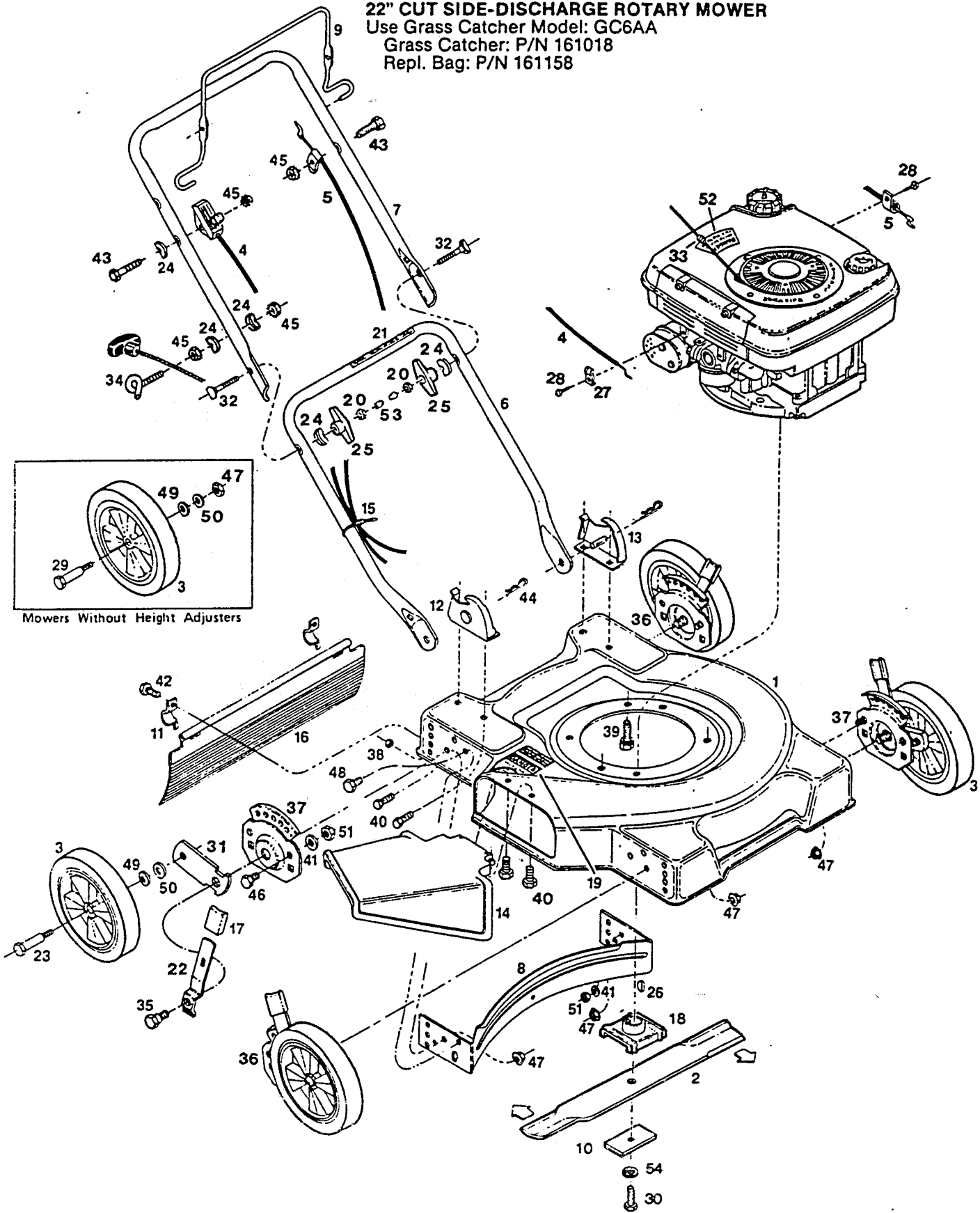


MODEL: FUDR22TL
22" CUT SIDE-DISCHARGE ROTARY MOWER
 Use Grass Catcher Model: GC6AA
 Grass Catcher: P/N 161018
 Repl. Bag: P/N 161158



S/N 239826
 P/L 082552
 O/M 082566
 E/M 183087

MODEL: FUDR22TL
22" CUT SIDE-DISCHARGE ROTARY MOWER
 Use Grass Catcher Model: GC6AA
 Grass Catcher: P/N 161018
 Repl. Bag: P/N 161158

| Index No. | Part No. | Description | Index No. | Part No. | Description |
|-----------|----------|---|-----------|----------|---|
| 1 | 019042 | Deck 20" - Green | 21 | 715557 | Decal - Starting Instructions |
| | 019059 | Deck 20" - Red | 22 | 776500 | Setting Lever - Height Adjuster* |
| | 019778 | Deck 22" - Green | 23 | 150060 | Wheel Bolt w/Hgt. Adj.* |
| | 019760 | Deck 22" - Red | 24 | 150201 | Washer - Curved 5/16 |
| 2 | 030031 | Blade - 20" Flat | 25 | 113589 | Wing - Knob |
| | 030049 | Blade - 22" Flat | 26 | 150276 | Woodruff Key #6 |
| 3 | | Wheel Assembly* | 27 | 150318 | Cable Clamp |
| | 041533 | 6½" Plastic - White - Diamond | 28 | 150623 | Screw - Sheet Metal #10 x 5/8 |
| | 042739 | 7" Plastic - White - Diamond - Mag | 29 | 150730 | Wheel Bolt w/o Hgt. Adj.* |
| | 043000 | 7" Plastic - White - Diamond | 30 | 157255 | Bolt - Blade |
| | 041525 | 7" Plastic - White - Diamond - 3 spoke | 31 | 092668 | Wheel Lever - Height Adjuster* |
| | 041863 | 7" Steel - White-Rib-Flange Bearing | 32 | 151936 | Bolt - Curved Head 5/16-18 x 2-1/4 |
| | 042432 | 8" Plastic - White - Diamond | 33 | 152074 | Rope Stop |
| | 043018 | 8" Plastic - White - Diamond | 34 | 152371 | Rope Guide |
| | 041848 | 8" Steel - White - Rib - Flange Bearing | 35 | 153650 | Shoulder Bolt - Hgt. Adj.* |
| 4 | 051219 | Control - Throttle w/Cable | 36 | 092650 | Back Plate - Height Adjuster R.H. Front L.H. Rear |
| 5 | 053035 | Cable - Engine Blade Control | 37 | 092643 | Back Plate - Height Adjuster L.H. Front R.H. Rear |
| 6 | 071563 | Handle - Lower | 38 | 452318 | Nut - #10-24 HX Nylon Insert |
| 7 | 071076 | Handle - Upper | 39 | 457168 | Bolt - 3/8-16 x 7/8 Thread Forming |
| | 071084 | Handle - Upper Vinyl Grip | 40 | 457499 | Bolt - 1/4-20 x 1/2 Thread Forming |
| | 072181 | Handle - Upper Cushion Grip | 41 | 462093 | Washer - Flat 1/4" |
| 8 | 101519 | Baffle 20/22" Rear or Front* | 42 | 458687 | Bolt - Hex Head #10-24 x 1/2 |
| 9 | 104687 | Bail - Engine/Blade Control | 43 | 150433 | Bolt - 1/4-20 x 2 Hex Head |
| | 109470 | Bail - Engine/Blade Control Vinyl Grip | 44 | 715011 | Hairpin Cotter |
| 10 | 106005 | Washer - Blade Adapter | 45 | 715037 | Nut - Keps 1/4-20 |
| 11 | 106914 | Clip - Trailing Shield | 46 | 715045 | Bolt - Hex Head 1/4-20 x 3/4* |
| 12 | 092601 | Handle Bracket - Right Hand | 47 | 156406 | Locknut 3/8-16 Lock |
| 13 | 092619 | Handle Bracket - Left Hand | 48 | 715201 | Bolt - Hex 3/8-16 x 3/4 w/o Hgt. Adj.* |
| 14 | 394619 | Chute Deflector Assembly | 49 | 715607 | Washer - Belleville |
| 15 | 110379 | Cable Tie | 50 | 158469 | Washer 3/8 SAE* |
| 16 | 114405 | Trailing Shield - 20/22" w/o Hgt. Adj. | 51 | 715508 | Locknut 1/4-20 Top |
| | 114421 | Trailing Shield - 20/22" w/Hgt. Adj. | 52 | 001206 | Decal - Blade Warning |
| 17 | 114462 | Plastic Tip - Setting Lever* | 53 | 110064 | Cap - Plastic |
| 18 | 126466 | Blade Adapter | 54 | 156919 | Lockwasher - 3/8 H.D. |
| 19 | 144063 | Decal - Danger | | | |
| 20 | 310045 | Nut - 5/16-18 Hex | | | |

- When servicing this unit use only genuine General Power OEM replacement parts that are specifically designed and engineered for this particular model.
- Do not operate unit unless all parts are properly attached and in good working order.
- Parts are right or left hand as viewed from the operator's position.
- Specifications are subject to change without notice.

S/N 239826
 P/L 082552
 O/M 082566
 E/M 183087