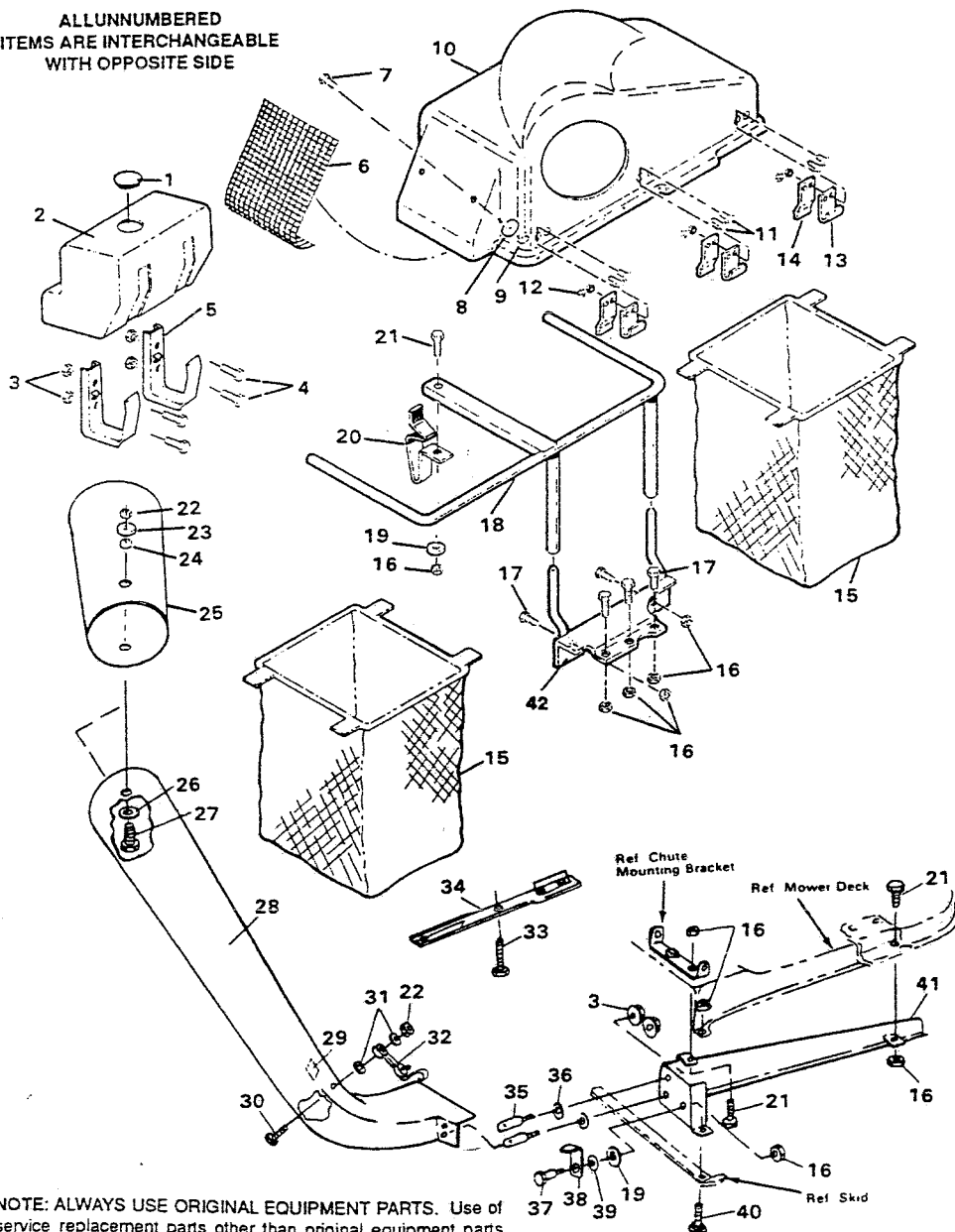


PARTS LIST - GRASS CATCHER

Index No.	Part No.	Description	Index No.	Part No.	Description
1	113506	Plug—weight tank	22	616375	Nut—hex 1/4-20 center lock
2	113431	Tank—front weight	23	159509	Washer—flat 1 1/4 OD
3	157610	Nut—hex 5/16-18	24	159525	Grommet—rubber
4	152108	Bolt—hex 5/16-18 x 1	25	176438	Tube—discharge, upper
5	176396	Bracket—weight tank	26	158113	Washer—flat 3/4 OD
6	160945	Screen—cover vent	27	159004	Bolt—hex 1/4-20 x 3/4
7	159442	Screw—slotted #10-24 x 5/8	28	176446	Tube—discharge, lower
8	715136	Washer—flat	29	005751	Decal—DANGER
9	715334	Nut—hex #10-24 keps	30	715292	Bolt—hex 1/4-20 x 1
10	176404	Cover—grass catcher	31	460923	Washer—flat
11	159491	Screw—slotted hd 1/4-20 x 5/8	32	176453	Strap—rubber, with hook
12	715037	Nut—hex 1/4-20 keps	33	157255	Bolt—hex 3/8-24 x 1 1/4
13	098590	Hinge-cover	34	176461	Blade—high lift
14	098582	Clip—bag retainer	35	176479	Pin—latch guide
15	160929	Bag—grass catcher with frame	36	153510	Washer—lock 5/16 int tooth
16	616342	Nut—hex 5/16-18 center lock	37	157503	Bolt—shoulder 5/16-18 x 1/2
17	450437	Bolt—hex 5/16-18 x 5/8	38	176487	Bracket—latch
18	176412	Frame—bag support	39	163477	Washer—wave
19	715185	Washer—flat 5/16	40	158907	Bolt—rd head 5/16-18 x 5/8
20	176420	Latch—bagger	41	176495	Baffle—deck
21	312082	Bolt—hex 5/16-18 x 1/2	42	176503	Support—bag frame
			--	017483	Deflector—heat

ALL UNNUMBERED
ITEMS ARE INTERCHANGEABLE
WITH OPPOSITE SIDE



NOTE: ALWAYS USE ORIGINAL EQUIPMENT PARTS. Use of service replacement parts other than original equipment parts may void your warranty.

S/N 228700
O/M 185850