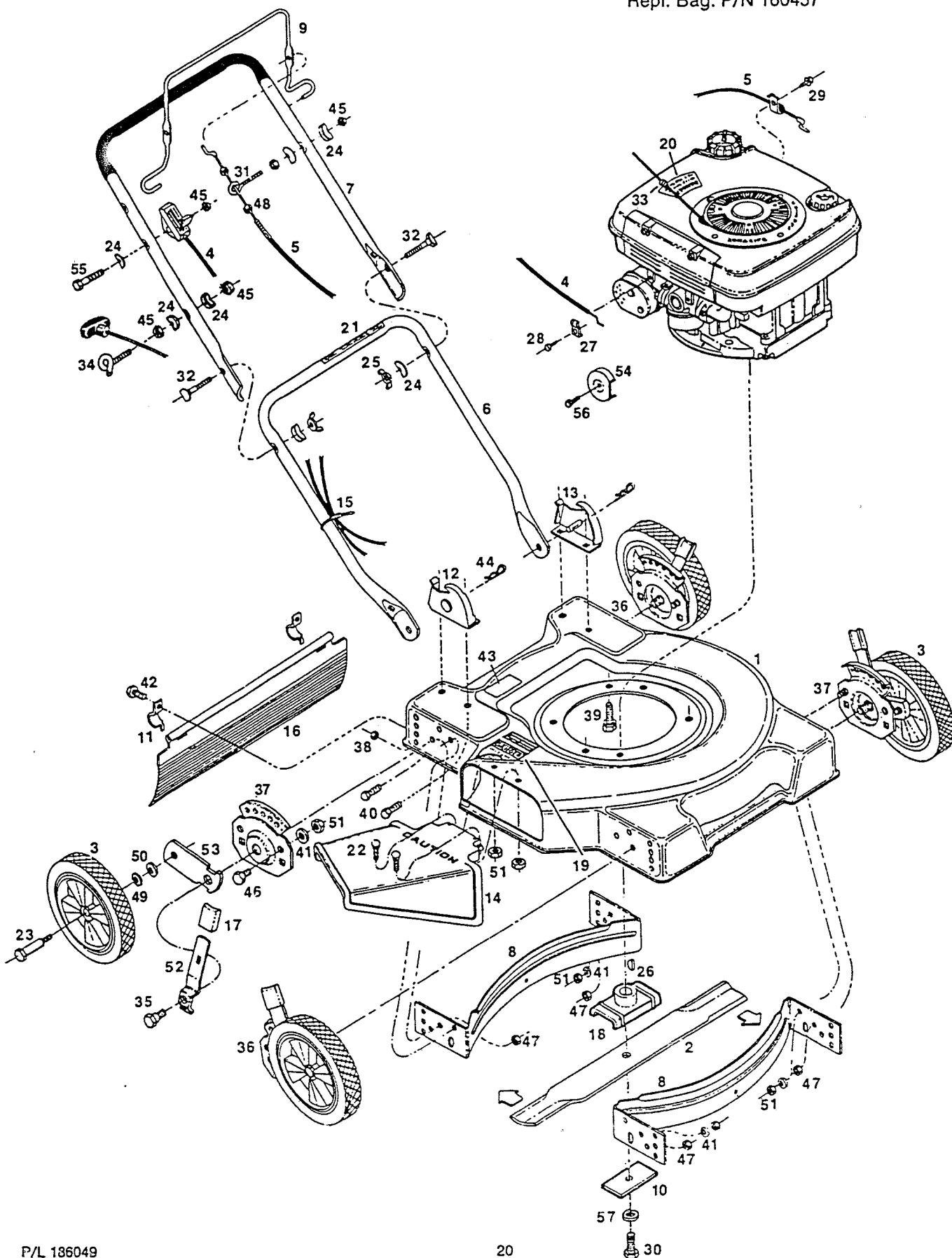


22" SIDE DISCHARGE ROTARY MOWER
MODEL: GRDR22H
MEDE5T22H
Grass Catcher Model: GC 6AA - P/N 161018
Repl. Bag: P/N 160457



**22" SIDE DISCHARGE ROTARY MOWER
MODEL: GRDR22H
MEDE5722H
Grass Catcher Model: GC 6AA - P/N 161018
Repl. Bag: P/N 160457**

| Index No. | Part No. | Description | Index No. | Part No. | Description |
|-----------|----------|--|-----------|----------|---|
| 1 | 014043 | Deck 22" | 27 | 150318 | Cable Clamp |
| 2 | 030049 | Blade-22" Flat | 28 | 151613 | Screw-Hex #10-32 x 3/8 SEMS |
| 3 | | Wheel Assembly* | 29 | 156869 | Screw-Hex #10-32 x 3/8 |
| | 042432 | 8" Plastic - White - Diamond (3-spoke) | 30 | 157255 | Bolt-Blade |
| | 040857 | 8" Plastic - White - Diamond (4-spoke) | 31 | 155234 | Eyebolt-Cable |
| | 041111 | 8" Steel-White-Flange Bearing | 32 | 151928 | Bolt-Curved Head 5/16-18 x 1 3/4 |
| 4 | 051219 | Control-Throttle w/Cable | 33 | 152074 | Rope Stop |
| 5 | 051474 | Cable-Engine/Blade Control | 34 | 152371 | Rope Guide |
| 6 | 071563 | Handle-Lower | 35 | 153650 | Shoulder Bolt-Hgt. Adj. |
| 7 | 071076 | Handle-Upper | 36 | 428664 | Back Plate-Height Adjuster R.H. Front L.H. Rear |
| | 072413 | Handle-Upper w/Cushion | 37 | 428714 | Back Plate-Height Adjuster L.H. Front R.H. Rear |
| | 071084 | Handle-Upper Coated | 38 | 452318 | Nut-#10-24 HX Nylon Insert |
| 8 | 101519 | Baffle Deck* | 39 | 457168 | Bolt-3/8-16 x 7/8 Thread Forming |
| 9 | 104687 | Bail-Engine/Blade Control | 40 | 457499 | Bolt-1/4-20 x 1/2 Thread Forming |
| | 109470 | Bail Coated | 41 | 462093 | Washer-Flat 1/4 |
| 10 | 106005 | Washer-Blade Adapter | 42 | 458687 | Bolt-Hex Head #10-24 x 1/2 |
| 11 | 106914 | Clip-Trailing Shield | 43 | 714170 | Decal-Model Number |
| 12 | 107086 | Handle Bracket-Right Hand | 44 | 715011 | Hairpin Cotter |
| 13 | 107094 | Handle Bracket-Left Hand | 45 | 715037 | Nut-Keps 1/4-20 |
| 14 | 391706 | Chute Deflector Assembly | 46 | 715045 | Bolt-Hex Head 1/4-20 x 3/4 |
| 15 | 110379 | Cable Tie | 47 | 451492 | Locknut 3/8-16 |
| 16 | 111617 | Trailing Shield | 48 | 152223 | Nut-Hex 5/16-24 Jam |
| 17 | 111559 | Plastic Tip-Setting Lever | 49 | 715607 | Washer-Belleville |
| 18 | 126466 | Blade Adapter | 50 | 715417 | Washer 3/8 SAE |
| 19 | 144063 | Decal-Danger | 51 | 715508 | Locknut 1/4-20 Top |
| 20 | 001206 | Decal-Blade Warning | 52 | 776500 | Setting Lever-Height Adjuster |
| 21 | 144899 | Decal-Starting Instructions | 53 | 777862 | Wheel Lever-Height Adjuster |
| 22 | 150011 | Bolt-Carriage 1/4-20 x 5/8 | 54 | 133629 | Deflector-Muffler* |
| 23 | 150060 | Wheel Bolt | 55 | 450379 | Bolt-1/4-20 x 1-3/4 |
| 24 | 150201 | Washer-Curved 5/16 | 56 | 159574 | Screw 8-32 x 3/8* |
| 25 | 150235 | Wingnut 5/16-18 | 57 | 156919 | Washer-split lock |
| 26 | 150276 | Woodruff Key #6. | | | |

• INDICATES OPTIONAL EQUIPMENT

• INDICATES OPTIONAL EQUIPMENT

When servicing use only genuine factory replacement parts that are specifically for your particular model.

NOTE: Parts are right or left hand as viewed from the operator position.

Specifications subject to change without prior notice.