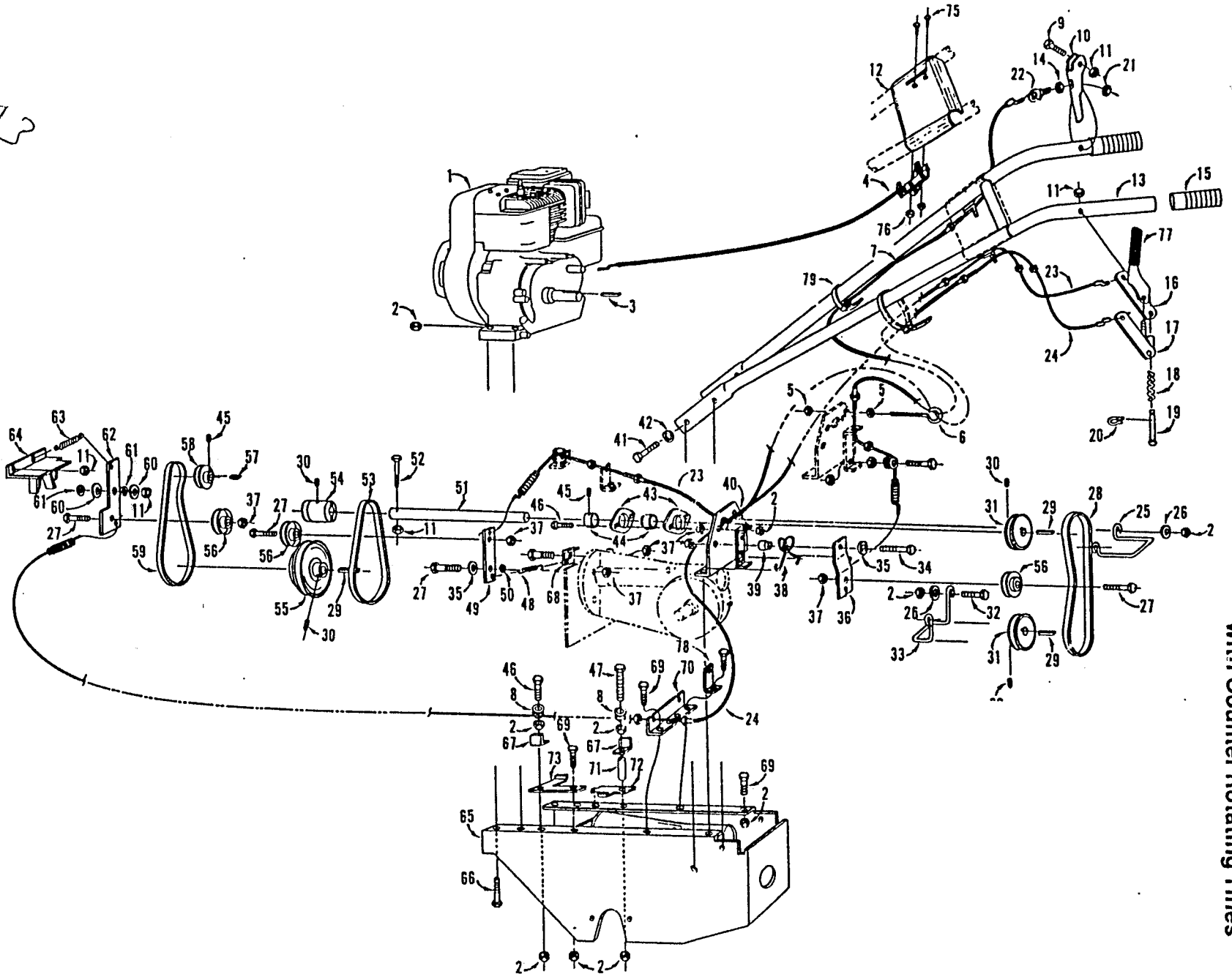


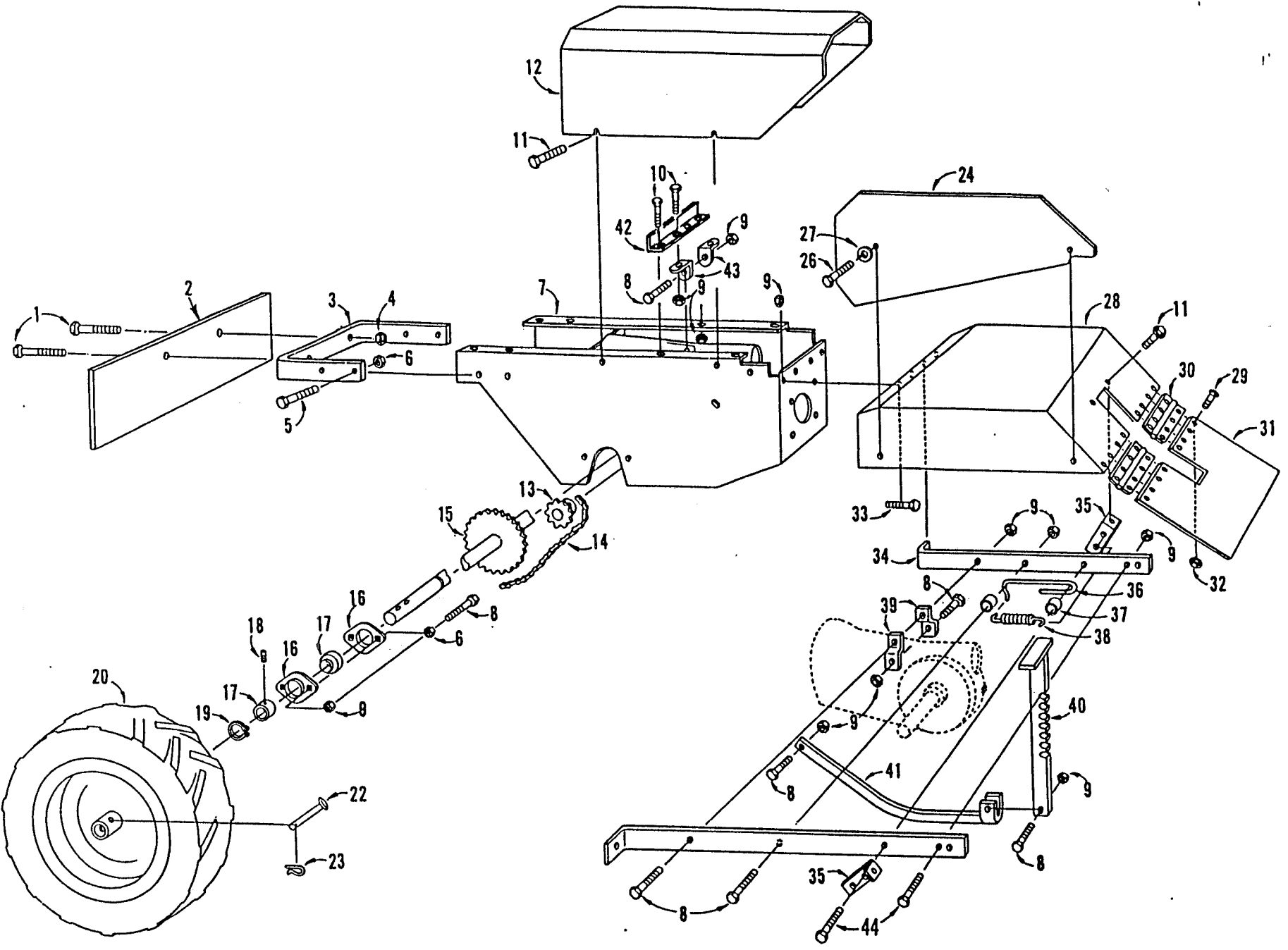
52203



**Model GT5R-E
5 Hp Rear Tine Tiller
with Counter Rotating Tines**

KEY NO.	PART NO.	DESCRIPTION	KEY NO.	PART NO.	DESCRIPTION
1.		Eng. Briggs 5 H.P. (See Briggs Dlr)	40.	590190	Rear Support Assembly
2.	616342	Nut .312-18 Center Lock	41.	616128	Bolt .375-16 x .75
3.	616839	Key .188 Square	42.	615666	Washer Lock .375 Nom.
4.	530055	Throttle Control	43.	617811	Flange
5.	715508	Nut .250-20 Top Lock	44.	617795	Bearing Assembly
6.	555359	Guide - Cable	45.	615484	Setscrew .250-20
7.	530048	Clutch Cable - Reverse	46.	615831	Bolt .312-18 x 1.25
8.	555342	Cable Roller Clutch	47.	155176	Bolt .3120-18 x 2.75 Full Thread
9.	615773	Bolt .250-20 x 2.00	48.	775817	Spring - Idler
10.	555714	Clutch Lever - Reverse	49.	572149	Idler Arm - Forward
11.	616375	Nut .250-20 Center	50.	617886	Idler Pivot
13.	574079	Handle Bar Weldment	51.	623181	Main Shaft
14.	310052	Nut 10-24 Center Lock	52.	616094	Bolt .250-20 x 2.50
15.	619221	Grip - Handle Bar	53.	619213	Belt - Forward
16.	555433	Clutch Lever - Wheel	54.	623421	Pulley - Forward
17.	555441	Clutch Lever - Tine	55.	623157	Pulley - Transmission
18.	616243	Spring	56.	617316	Pulley - Idler
19.	621235	Pin - Clutch Engage	57.	446773	Woodruff Key
20.	617126	Hairpin	58.	623165	Pulley - Reverse
21.	452615	Nut .250-20 Elastic	59.	623140	Belt - Reverse
22.	450478	Bolt Spade	60.	151555	Washer .250 Nom.
23.	530030	Ground Cable Drive	61.	616789	Spacer
24.	530022	Tine Cable Drive	62.	571752	Idler Arm - Reverse
25.	555243	Belt Keeper - Upper	63.	623199	Spring - Idler
26.	615708	Flatwasher .312 Nom.	64.	573824	Belt Keeper Weldment
27.	312272	Bolt .375-16 x 1.50	65.	571638	Chassis Weldment
28.	622407	Belt - Tine Drive	66.	460311	Bolt .312-18 x 1.75
29.	616276	Key .188 Square	67.	571760	Angle Bracket
30.	156208	Setscrew .312-18	68.	616631	Roller - Clutch Cable
31.	616870	Pulley 3.5"	69.	312066	Bolt .312-18 x .75
32.	312058	Bolt .312-18 x 1.00	70.	571703	Cross Brace
33.	555235	Belt Keeper - Lower	71.	623447	Spacer
34.	312322	Bolt .375-16 x 1.75	72.	555631	Belt Keeper - Forward
35.	616854	Flatwasher .375 Nom.	73.	555623	Belt Keeper - Reverse
36.	571661	Idler Arm	75.	458687	Bolt - 10-24 Hex Head
37.	624908	Nut .375-16 Center Lock	76.	715334	Nut - Keps
38.	622647	Spring - Tine Clutch	77.	622662	Lever Jacket
39.	617878	Pivot Bushing	78.	572156	Bracket - Drive Control

Model GTSR-E
5 Hp Rear Tine Tiller
with Counter Rotating Tines

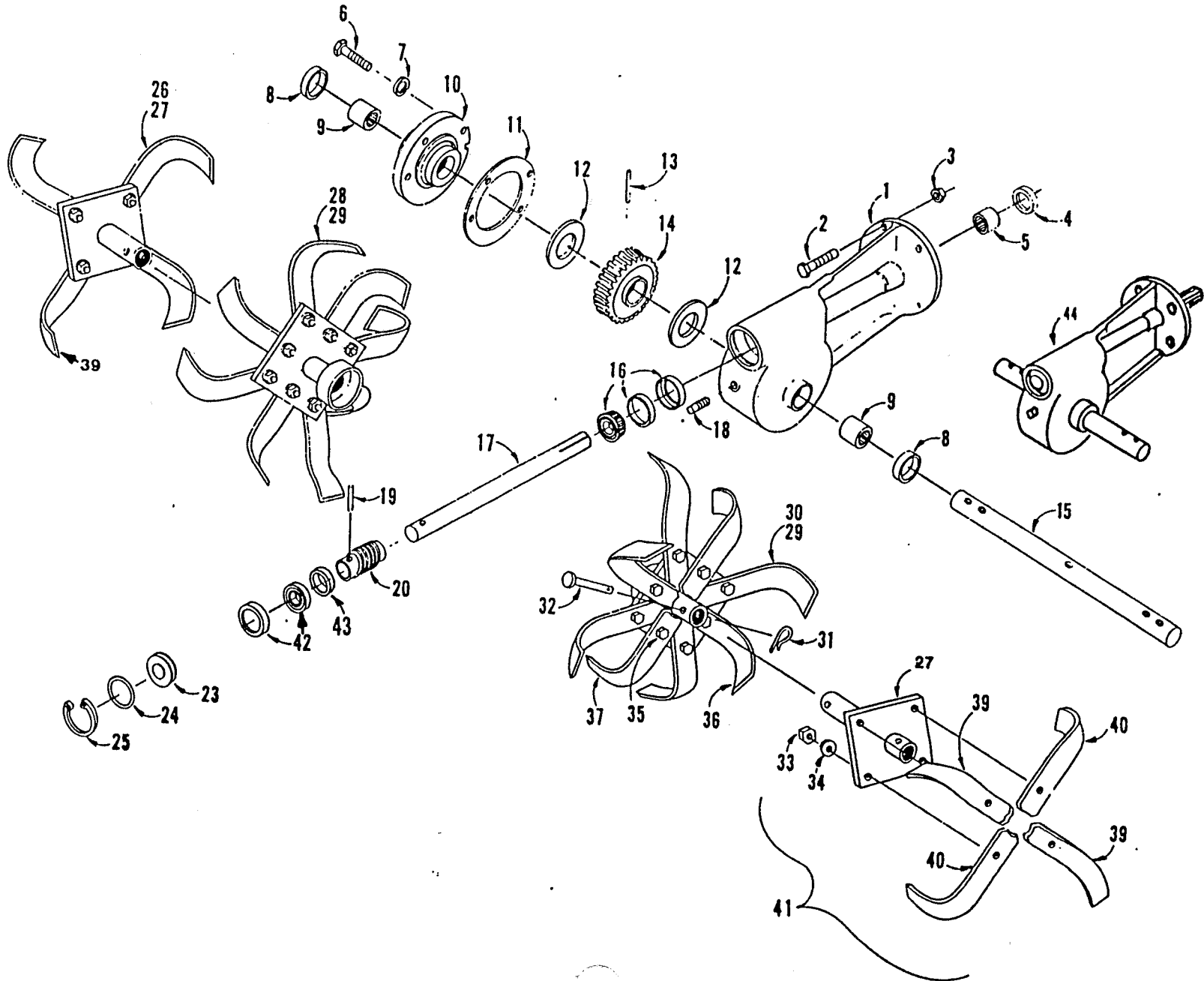


Model GT5R-E

KEY NO.	PART NO.	DESCRIPTION	KEY NO.	PART NO.	DESCRIPTION
1.	615617	Bolt .500-13 x 2.75	23.	616227	Hair Pin
2.	571786	Weight	24.	571497	Side Plate L.H.
3.	571398	Weight Bracket	25.	571489	Side Plate R.H. (not shown)
4.	616581	Nut .500-13 Center Lock	26.	449587	Bolt .250-20 x .62
5.	615591	Bolt .375-16 x 1.00	27.	715094	Lockwasher .250
6.	624908	Nut .375-16 Center Lock	28.	571604	Dirt Shield Weldment
7.	571638	Chassis Weldment	29.	616177	Screw 10-24 x .50
8.	615831	Bolt .312-18 x 1.25	30.	622183	Hinge
9.	616342	Nut .312-18 Center Lock	31.	571612	Flap - Dirt Shield
10.	615815	Bolt .312-18 x .75	32.	616615	Nut 10-24 Center Lock
11.	617514	Screw .312-18 x .62 Self Tapping	33.	615823	Bolt .312-18 x 1.00
12.	572164	Sheave Cover	34.	571372	Support Bar
13.	622365	Sprocket	35.	571414	Bracket - Dirt Shield
14.	619023	Chain No. 40 42 Pitch	36.	620310	Pusher - Depth Bar
15.	622217	Wheel Axle Weldment	37.	571331	Spacer
16.	622340	Flange	38.	623058	Spring
17.	622332	Bearing Assembly	39.	571323	Brace - Transmission
18.	615484	Set Screw .250-20	40.	571687	Depth Bar
19.	616896	Snap Ring	41.	571679	Skid Bar Weldment
20.	622118	Wheel Assembly R.H. (not shown)	42.	571703	Cross Brace
21.	622126	Wheel Assembly L.H.	43.	571695	L Bracket
22.	616532	Clevis Pin	44.	150250	Bolt .312-18 x 1.50

IF YOUR TILLER HAS COUNTER ROTATING TINES,
OR DUAL ROTATING TINES, ORDER PARTS FROM THIS LIST

TINE DRIVE TRANSMISSION



540617

52

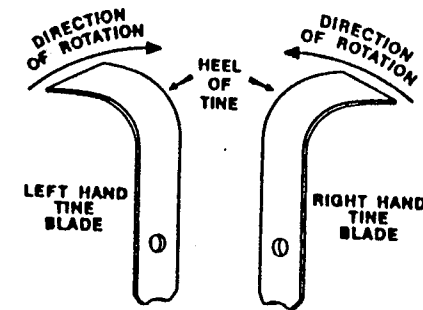
COUNTER ROTATING

11/86

Model GTSR-E

KEY NO.	PART NO.	DESCRIPTION
1.	616979	Trans. Cast. w/Brngs & Seals
2.	615880	Bolt .375-16 x 1.25 Hex
3.	624908	Nut .375-16 Center Lock
4.	616383	Oil Seal - Worm Shaft
5.	616524	Bearing-Needle-Worm Shaft
6.	617019	Bolt .312-18 x .88 Hex
7.	615575	Lockwasher .312 Nom.
8.	616391	Oil Seal - Axle
9.	616292	Bearings-Needle-Axle
10.	617001	Cover Plate w/bearing & seal
11.	616755	Gasket
12.	616417	Thrust Washer
13.	616466	Drive-Lok Pin .375 x 2.00
14.	619536	Worm Wheel
15.	617845	Axle
16.	545582	Tapered Bearing Assembly
17.	617084	Worm Shaft
18.	616912	Pipe Plug
19.	615458	Roll Pin .250 Dia. x 1.25
20.	513317	Worm
21.		Not used this model
22.		Not used this model
23.	615433	Seal Plug
24.	616441	'O' Ring
25.	615425	Snap Ring
26.	622415	Tine Assembly R.H. Ext.
27.	622290	Tube & Plate Wldm. R.H. Ext.
28.	617712	Tine Assy. R.H. Basic
29.	617720	Tube & Plate Wldm.-Basic
30.	617704	Tine Assembly L.H. Basic
31.	616227	Hair Pin
32.	616532	Clevis Pin
33.	615633	Nut .375-24 Hex
34.	615666	Lockwasher .375 Nom.
35.	617787	Spacer
36.	616649	Tine Blade L.H. Short
37.	616656	Tine Blade R.H. Short
38.	624957	Bolt .375-24 x 1.25 Hex
39.	617217	Tine Blade L.H. Long
40.	617209	Tine Blade R.H. Long
41.	622423	Tine Assembly L.H. Ext.
42.	620898	Ball Bearing Assembly
43.	623504	Collar
44.	621870	Transmission Assembly

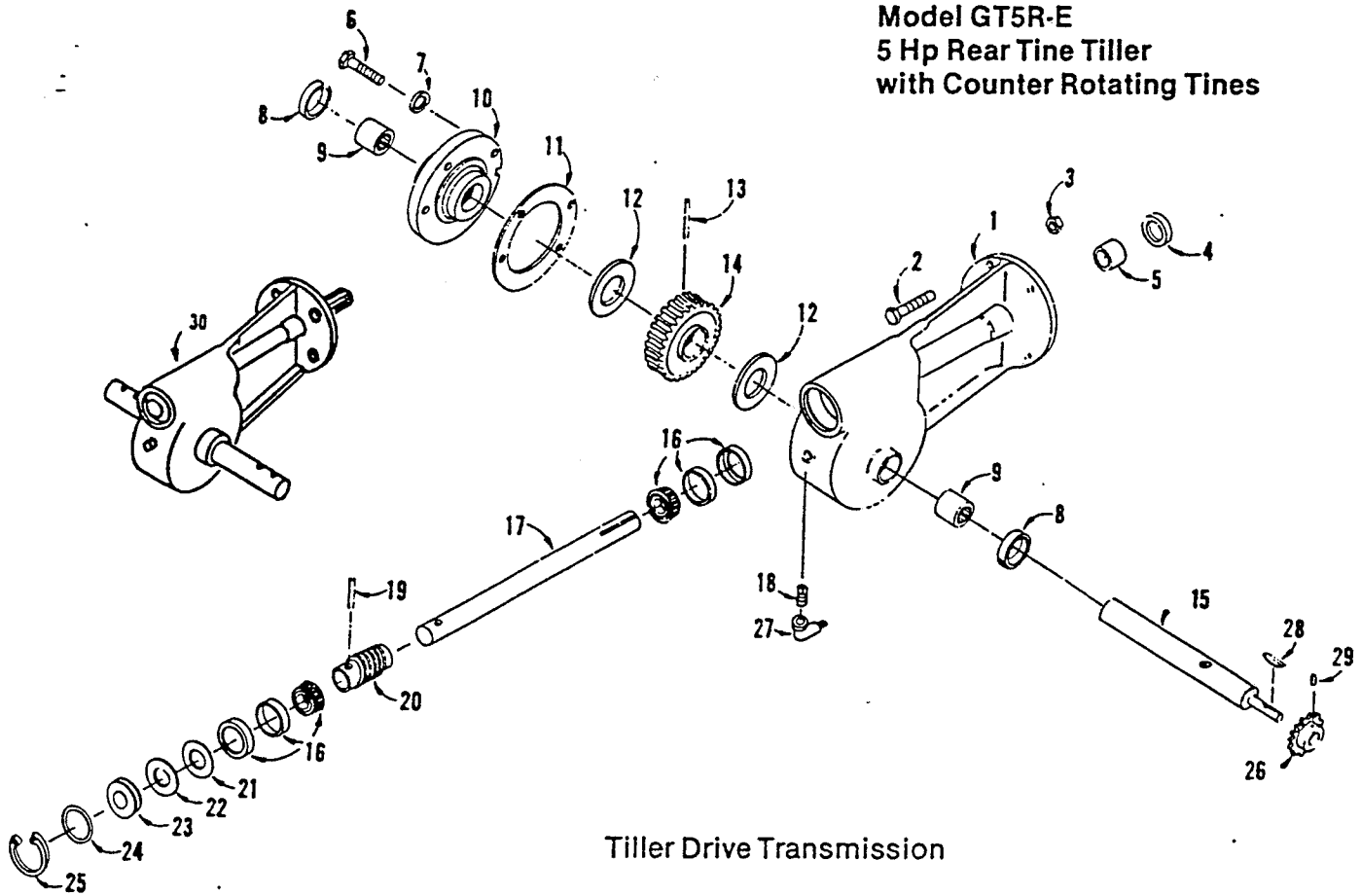
NOTE: The tines on a "Counter Rotating Tines" tiller turn opposite to the direction that the wheels turn.



To determine if a tine assembly is a R.H. or a L.H. assembly, hold the assembly in front of you with the transmission side of the tine assembly toward you. Rotate the tine assembly in the direction that it would rotate when digging. (Heel of blades entering ground first). L.H. tine assemblies turn clockwise, R.H. tine assemblies turn counterclockwise.

Model GTSR-E

**Model GT5R-E
5 Hp Rear Tine Tiller
with Counter Rotating Tines**



Tiller Drive Transmission

KEY NO.	PART NO.	DESCRIPTION	KEY NO.	PART NO.	DESCRIPTION
1.	622381	Trans. Cast W/Brngs & Seals	16.	545582	Tapered Bearing Assembly
2.	457176	Bolt .375-16 x 1.25 Hex	17.	617084	Worm Shaft
3.	624908	Nut .375-16 Center Lock	18.	616912	Pipe Plug
4.	616383	Oil Seal - Worm Shaft	19.	616458	Roll Pin .250 Dia. x 1.25
5.	616524	Bearing - Needle - Worm Shaft	20.	616730	Worm
6.	617019	Bolt .312-18 x .88 Hex	21.	621334	Shim .003 (As Required)
7.	615575	Lockwasher .312 Nom.	22.	621342	Shim .005 (As Required)
8.	616391	Oil Seal - Axle	23.	616433	.Seal Plug
9.	622324	Sleeve Bearing	24.	616441	'O' Ring
10.	622399	Cover Plate W/Bearing & Seal	25.	616425	Snap Ring
11.	616755	Gasket	26.	622365	Sprocket
12.	616417	Thrust Washer	27.	622175	Street Elbow
13.	616466	Drive-Lok Pin .375 x 2.00	28.	615534	Woodruff Key
14.	616698	Worm Wheel	29.	615484	Set Screw .250 - 20
15.	621854	Axle	30.	621862	Transmission Assembly