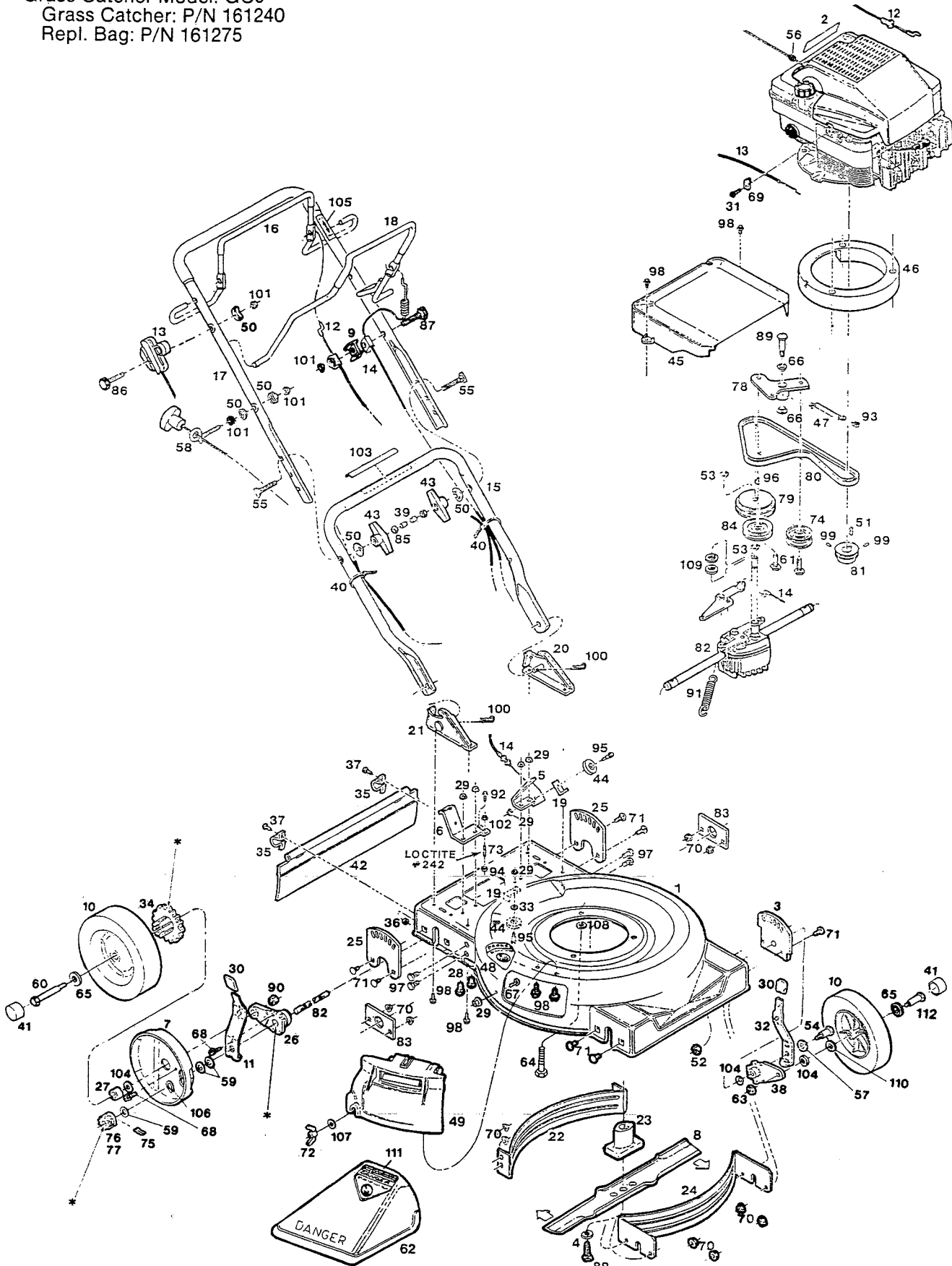


MODEL: HAMC5SPM
5 hp CONVERTIBLE SELF-PROPELLED MULCHING MOWER

Grass Catcher Model: GC9
 Grass Catcher: P/N 161240
 Repl. Bag: P/N 161275



S/N 239368
 239955
 P/L 082655
 O/M 082620
 E/M 082690

MODEL: HAMC5SPM
5 hp CONVERTIBLE SELF-PROPELLED MULCHING MOWER
 Grass Catcher Model: GC9
 Grass Catcher: P/N 161240
 Repl. Bag: P/N 161275

| Index No. | Part No. | Description | Index No. | Part No. | Description |
|-----------|----------|------------------------------------|-----------|----------|------------------------------------|
| 1 | 023828 | Deck 20" Mulcher | 57 | 164020 | Washer - Hardened |
| 2 | 009415 | Decal - Warning Blade Rotation | 58 | 152371 | Rope Guide |
| 3 | 093146 | Plate - Height Adjuster - Front | 59 | 152553 | Washer-Thrust 1/2 |
| 4 | 156919 | Lockwasher 3/8 H.D. | 60 | 382016 | Bolt - Wheel, Rear |
| 5 | 088674 | Bracket - Pulley Mounting | 61 | 154369 | Bolt - 3/8-16 x 1 1/4 Shaved Head |
| 6 | 088658 | Bracket - Trans Pulley | 62 | 115295 | Chute Deflector Assembly |
| 7 | 115450 | Cover - Drive Wheel | 63 | 156406 | Nut - Hex 3/8-16 Flange |
| 8 | 031401 | Blade - 20" Mulcher | 64 | 382892 | Screw - 5/16 - 16 x 2 1/4 Sems |
| 9 | 115337 | Spacer - Cable Mount | 65 | 382914 | Washer - Stepped |
| 10 | 043226 | Wheel - 8" x 1.75 Plastic | 66 | 156653 | Bearing - Flange Nylon |
| 11 | 095320 | Lever - Setting - Hght. Adj. | 67 | 166631 | Stud - 1/4-20 |
| 12 | 053097 | Cable - Engine/Blade Control | 68 | 457192 | Screw - #10-32 x 1/2" tap |
| 13 | 053066 | Cable - Throttle Control | 69 | 157552 | Clamp - Cable |
| 14 | 052522 | Cable - Drive Engagement | 70 | 157610 | Locknut - Flange 5/16-18 |
| 15 | 072991 | Handle - Lower | 71 | 158907 | Bolt - Carriage 5/16-18 x 5/8 |
| 16 | 109389 | Bail - Engine/Blade Control | 72 | 587998 | Wing Nut |
| 17 | 073197 | Handle - Upper | 73 | 163840 | Stud - Short |
| 18 | 022764 | Bail - Ground Drive | 74 | 170621 | Pulley - Idler, Flat |
| 19 | 096305 | Bracket Cable Retainer | 75 | 171041 | Dog - Drive |
| 20 | 093161 | Bracket - Handle LH | 76 | 093351 | Gear - Drive RH |
| 21 | 093153 | Bracket - Handle RH | 77 | 093369 | Gear - Drive LH |
| 22 | 087080 | Baffle - Rear | 78 | 171496 | Arm - Idler |
| 23 | 093443 | Blade Adapter | 79 | 171819 | Pulley - 2 Speed |
| 24 | 087288 | Baffle - Front | 80 | 300027 | V-Belt |
| 25 | 093120 | Plate - Height Adjuster - Rear | 81 | 095432 | Pulley - Engine |
| 26 | 095481 | Wheel Arm - Drive (095431) | 82 | 300029 | Transmission Assembly |
| 27 | 164889 | Spacer - 1/2 | 83 | 095456 | Support - Wheel Hub |
| 28 | 457044 | Bolt - 1/4-20 x 1/2 | 84 | 305367 | Pulley - Idler V-Groove |
| 29 | 715078 | Nut - 1/4-20 Flange Lock | 85 | 310045 | Nut - 5/16-18 |
| 30 | 114462 | Tip - Plastic | 86 | 150433 | Bolt - 1/4 - 20 x 2 |
| 31 | 150623 | Screw - Hex Slotted #10 x 5/8 | 87 | 153874 | Bolt - 1/4 - 20 x 2 1/4 |
| 32 | 092817 | Lever Height Adjuster - Front | 88 | 164533 | Bolt - Blade 3/8-24 x 2 1/2 Gr. 8 |
| 33 | 158956 | Washer - 1/4 | 89 | 381665 | Bolt - Shoulder |
| 34 | 171942 | Gear - Drive Wheel | 90 | 715391 | Nut - 3/8-16 Hex |
| 35 | 106914 | Clip-Trailing Shield | 91 | 381780 | Spring - Transmission Return |
| 36 | 452318 | Nut #10-24 Hex Nylon Insert | 92 | 150326 | Screw #10-24 x 1/2 Hex Slot Head |
| 37 | 458687 | Bolt #10-24 x 1/2 | 93 | 381889 | Clip - "U" Tinnerman |
| 38 | 091819 | Wheel Arm - Front | 94 | 382150 | Spacer |
| 39 | 110064 | Cap - Plastic Bolt | 95 | 158683 | Bolt - Shoulder 1/4-20 |
| 40 | 110379 | Cable Tie | 96 | 446450 | Key - Woodruff |
| 41 | 112045 | Cap - Hub | 97 | 159780 | Bolt - Hex 5/16-18 x 5/8 Flange |
| 42 | 114421 | Trailing Shield - Plastic | 98 | 164998 | Bolt - 1/4-20 x 1/2 Thread Forming |
| 43 | 113589 | Knob - Handle | 99 | 315093 | Screw Set 5/16-18 x 1/4 |
| 44 | 112177 | Pulley - Drive Cable | 100 | 715011 | Hairpin Cotter |
| 45 | 115488 | Cover - Transmission | 101 | 715037 | Nut - 1/4-20 Keps |
| 46 | 115489 | Spacer - Engine | 102 | 715334 | Nut #10-24 Keps |
| 47 | 135665 | Spring - Extension | 103 | 799599 | Decal - Starting Instructions |
| 48 | 144063 | Decal - Warning CPSC | 104 | 715607 | Washer - Belleville |
| 49 | 093922 | Mulch Cover Assembly | 105 | 794412 | Decal - Drive Control |
| 50 | 150201 | Washer - Curved 5/16 | 106 | 153940 | Ring - Transmission - Axle |
| 51 | 150276 | Woodruff Key #6 | 107 | 615690 | Washer - 1/4 Flat |
| 52 | 715441 | Nut 3/8-16 Twin Whiz | 108 | 150771 | Washer - Flat |
| 53 | 151282 | Ring - Transmission - Top | 109 | 162289 | Spacer - Notched |
| 54 | 164897 | Bolt - Shoulder | 110 | 158469 | Washer - 3/8 flat |
| 55 | 151936 | Bolt - Curved Head 5/16-18 x 2 1/4 | 111 | 143115 | Decal - Danger |
| 56 | 152074 | Rope Stop | 112 | 382915 | Shoulder Bolt - Wheel |

S/N 239368
 239955
 P/L 082655
 O/M 082620
 E/M 082690