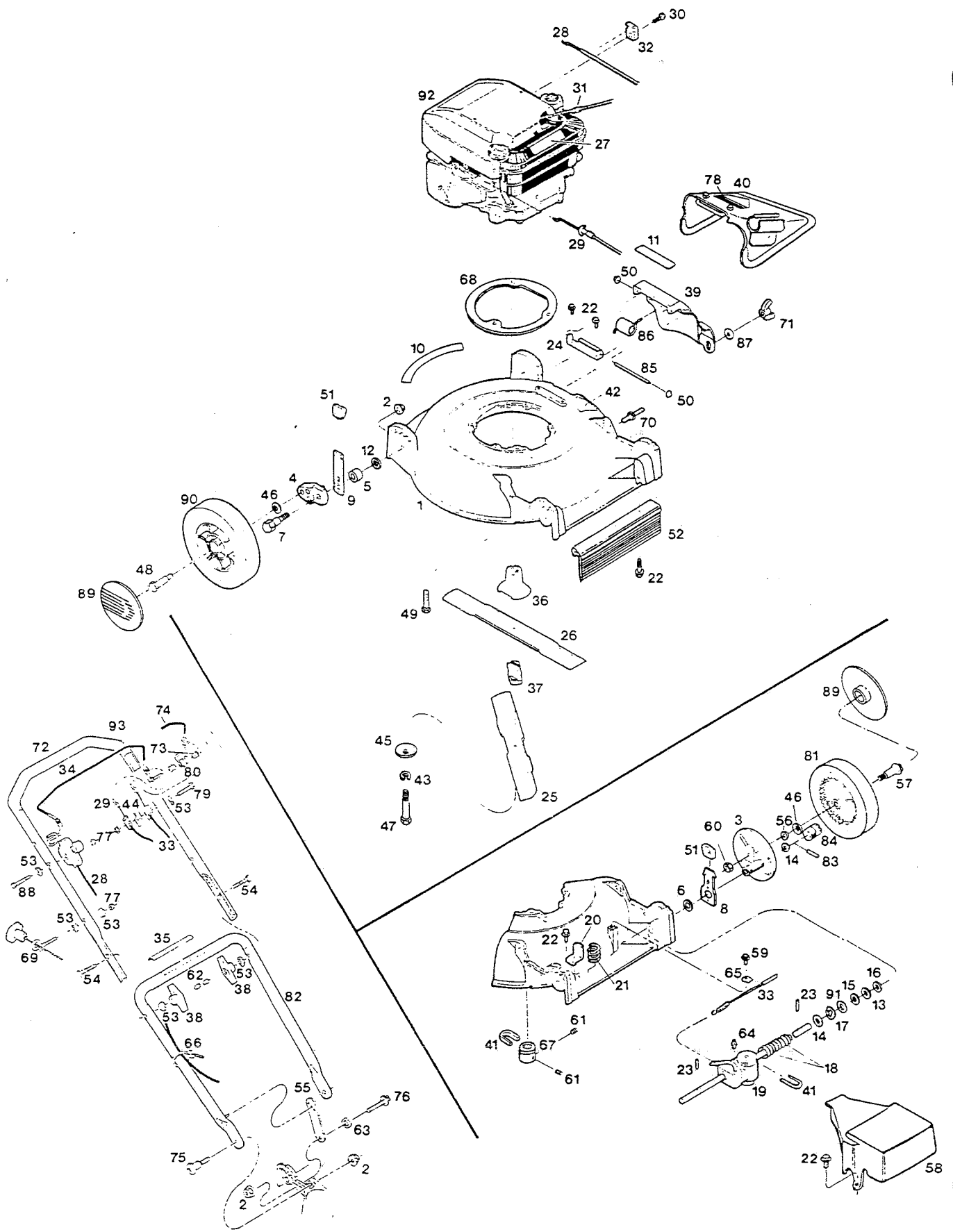


MODEL: HCM20P/5-N



S/N 239041
P/L 082861
O/M 082864

INDEX NO.	PART NO.	DESCRIPTION	INDEX NO.	PART NO.	DESCRIPTION
1	023843	Deck - 20"	47	382846	Bolt - 3/8-24 x 3-1/2" HHCS Gr. 8
2	159236	Nut - 5/16-18 flg. lock	48	166741	Bolt - wheel
3	095304	Drive wheel support ass'y	49	382881	Bolt - 3/8-16 x 1-3/4" HHCS Gr. 5
4	023895	Wheel arm	50	452128	Nut - 1/4 push-on
5	581274	Spacer - front hgt. adj.	51	579717	Plastic tip - height adjuster
6	581477	Spacer - rear hgt. adj.	52	115468	Trailing shield - plastic
7	166730	Bolt - height adjuster	53	150201	Washer - 5/16 curved
8	588449	Setting lever assy R.H. rear	54	151936	Bolt - handle
	588450	Setting lever assy L.H. rear	55	095176	Handle support
9	588451	Setting lever assy. R.H. front	56	581584	Washer - 3/8" flat
	588452	Setting lever assy. L.H. front	57	166743	Bolt - Wheel, rear
10	799825	Decal - logo 20"	58	582757	Drive cover
11	799505	Decal - danger mulch cover	59	158089	Screw - 1/4-20 x 1/2" hex hd tap
12	715185	Washer - 5/16" flat	60	156406	Nut - hex 3/8-16 flange lock
13	579094	Washer - shim	61	583085	Set screw 1/4-20 x 3/8"
14	580632	Washer - 9/16" flat	62	110064	Cap - bolt end, plastic
15	581005	Washer - 9/16" flat	63	583302	Washer
16	583308	Washer - 9/16" wave	64	586247	Vent - transmission
17	583355	E-ring	65	586626	Clamp - drive cable
18	115461	Dust shield - plastic	66	587059	Cable tie
19	166611	Transmission	67	095218	Drive pulley
20	581501	Bracket - gear box	68	023883	Engine ring
21	581581	Spring - compression	69	152371	Eyebolt - 1/4-20
22	583021	Screw - 1/4-20 x 3/4" hex hd. tap	70	587992	Stud - 1/4-20 x 3/4"
23	583400	Roll pin - 1/8 x 7/8	71	587998	Wing nut - 1/4-20 nylon insert
24	095003	Bracket - hinge	72	073411	Handle - upper
25	031420	Blade - 20"	73	588463	Bushing - drive bail
26	031421	Blade - recut 20"	74	588474	Sleeve - drive bail
27	009415	Decal - blade warning	75	588491	Bolt - handle mtg
28	053106	Control - throttle w/cable	76	588499	Bolt - handle supt.
29	053048	Cable - engine/blade control	77	715037	Nut - 1/4-20 hex keps
30	150623	Screw - #10-16 x 5/8" tap	78	144063	Decal - DANGER
31	152074	Rope stop	79	153874	Bolt - hex 1/4-20 x 2-1/4"
32	157552	Cable clamp	80	095202	Bail - ground drive control
33	053105	Cable - traction control	81	043238	Wheel - 8" x 2", rear Front
34	095200	Bail - engine/blade control	82	588807	Handle - lower
35	799599	Decal - starting instructions	83	589363	Drive pin
36	095217	Adapter - blade with key	84	589417	Pinion R.H.
37	094911	Spacer - blade		589418	Pinion L.H.
38	115540	Wing nut - plastic	85	604081	Rod hinge
39	115329	Cover - mulch 20"	86	604082	Spring - mulch cover
40	115360	Chute deflector assembly	87	615690	Washer - 1/4" flat
41	116780	V-belt	88	150433	Bolt - 1/4-20 x 1-3/4"
42	143115	Decal - CPSC danger	89	043240	Hubcap
43	156919	Washer - 3/8" lock H.D.	90	043236	Wheel - 8" rear
44	115337	Spacer - cable mount	91	586266	Washer - thrust
45	164681	Washer - 3/8" conical	92	*	Engine
46	715607	Washer - Belleville	93	794412	Decal - engage/disengage

* Contact engine manufacturer's authorized service dealer for parts and warranty.

WARNING: DO NOT OPERATE YOUR MOWER UNLESS ALL PARTS ARE ATTACHED AND IN GOOD WORKING ORDER. KEEP YOUR MOWER IN GOOD REPAIR AT ALL TIMES.

WARNING: WHEN SERVICING USE ONLY GENUINE FACTORY REPLACEMENT PARTS THAT ARE SPECIFICALLY FOR YOUR PARTICULAR MODEL.

NOTE: PARTS ARE RIGHT OR LEFT HAND AS VIEWED FROM THE OPERATOR POSITION
SPECIFICATIONS SUBJECT TO CHANGE WITHOUT PRIOR NOTICE

S/N 239041
P/L 082861
O/M 082864