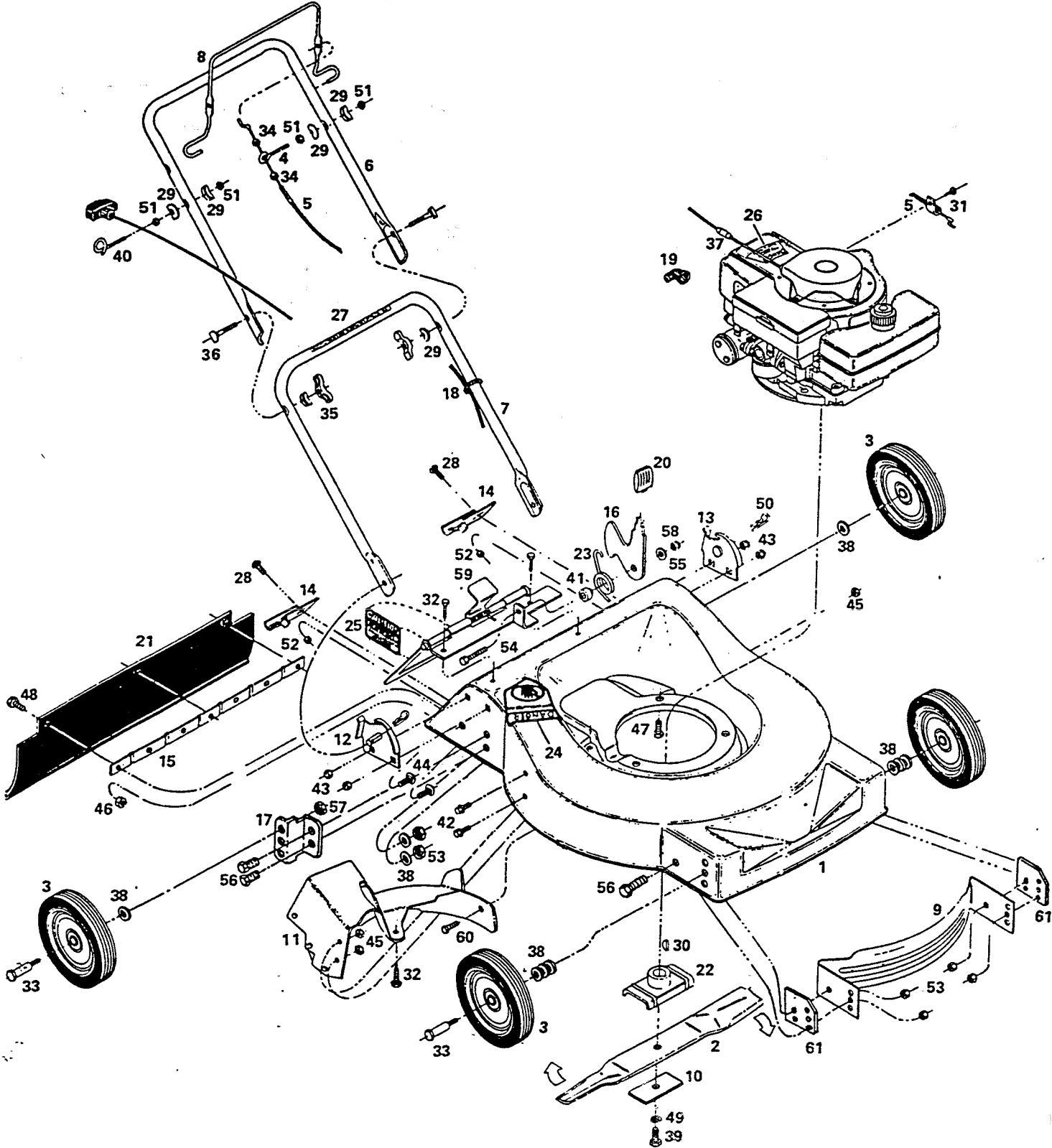


21" Rear Bagging Rotary Mower
Model: HORBT-21E
CHPRB-21E
Grass Catcher Included

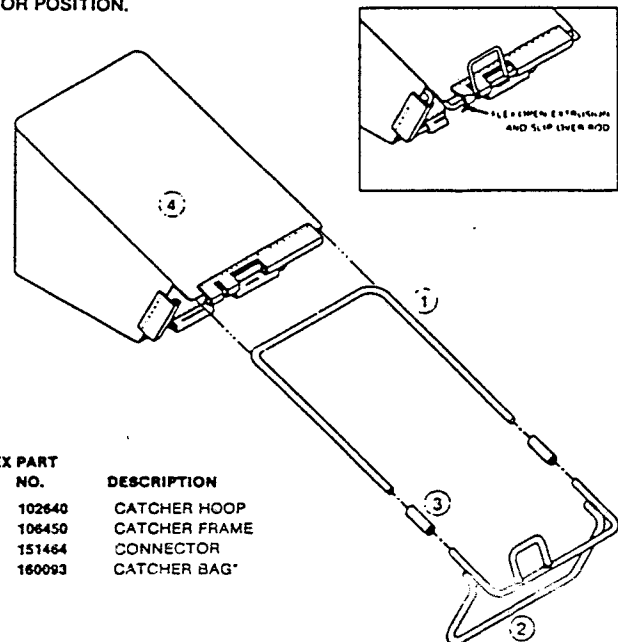


**21" Rear Bagging Rotary Mower
Model: HORBT-21E
CHPRB-21E
Grass Catcher Included**

Index No.	Part No.	Description	Index No.	Part No.	Description
1	012609	Deck 21" Grey	31	151613	Bolt - Hex 10-32 x 3/8 Sems
	029694	Deck 21" Orange	32	150623	Screw - Screw Metal #10 x 5/8
2	030338	Blade 21" Offset	33	150730	Bolt - Wheel
3	040857	Wheel 8 x 1.75	34	152223	Nut - Hex 5/16 - 24 Jam
4	155234	Eyebolt - Cable	35	150235	Wing Nut 5/16-18
5	050971	Cable - Engine/Blade Control*	36	151928	Bolt - Curved Head 5/16-18 x 1-3/4
6	071076	Handle Upper	37	152074	Rope Stop
	071084	Handle Upper - Coated	38	150771	Washer
7	071449	Handle Lower	39	150862	Bolt 3/8-24 x 1 1/4
8	104687	Bail - Engine/Blade Control*	40	152371	Rope Guide
9	105825	Baffle - Front	41	152637	Spacer - Catcher Latch
10	106005	Blade Washer	42	152660	Bolt - Hex Washer Head 1/4-20 x 1/2
11	127191	Baffle Assembly	43	310151	Locknut - 5/16-18 Nylon Insert
12	106807	Handle Bracket - Right Hand	44	313510	Bolt - Carriage 5/16 x 18 x 3/4
13	106815	Handle Bracket - Left Hand	45	451419	Nut - 1/4-20 Top Lock Flange
14	109546	Catcher Frame Bracket	46	452318	Nut #10-24 Hex Nylon Insert
15	109496	Backing Strip - Trailing Shield	47	457168	Bolt - 3/8-16 x 7/8 Thread Forming
16	108324	Catcher Latch	48	458687	Bolt #10-24 x 1/2
17	108845	Bracket - Rear Wheel	49	156919	Lockwasher 3/8 HD Split
18	110379	Cable Tie	50	715011	Hairpin Cotter
19	110833	Spark Plug Cover	51	715037	Locknut 1/4-20 Keps
20	111724	Knob - Catcher Latch	52	715078	Locknut 1/4-20 Flange Whiz
21	111633	Trailing Shield - Plastic*	53	715086	Locknut 3/8-16 Hex
22	126466	Blade Adapter	54	715292	Bolt - Hex Head 1/4-20 x 1
23	133371	Torsion Spring - Catcher Latch	55	715300	Washer 1/4"
24	143115	Decal - C.P.S.C. Danger*	56	715201	Bolt - Hex Head 3/8-16 x 3/4
25	144162	Decal - Door Caution*	57	715524	Locknut 3/8-16
26	001461	Decal - Blade Warning*	58	715508	Locknut 1/4-20 Top
27	144899	Decal - Starting Instructions	59	127167	Door Assembly*
28	150011	Bolt - Carriage 1/4-20 x 5/8 Gr. 5	60	156851	Bolt 1/4-20 x 3/8 Shaved HD
29	150201	Washer - Curved 5/16	61	024786	BRKT Back Up
30	150276	Woodruff Key No. 6			

NOTE: PARTS ARE RIGHT OR LEFT HAND AS VIEWED FROM THE OPERATOR POSITION.

* INDICATES OPTIONAL EQUIPMENT



INDEX NO.	PART NO.	DESCRIPTION
1	102640	CATCHER HOOP
2	106450	CATCHER FRAME
3	151464	CONNECTOR
4	160093	CATCHER BAG*